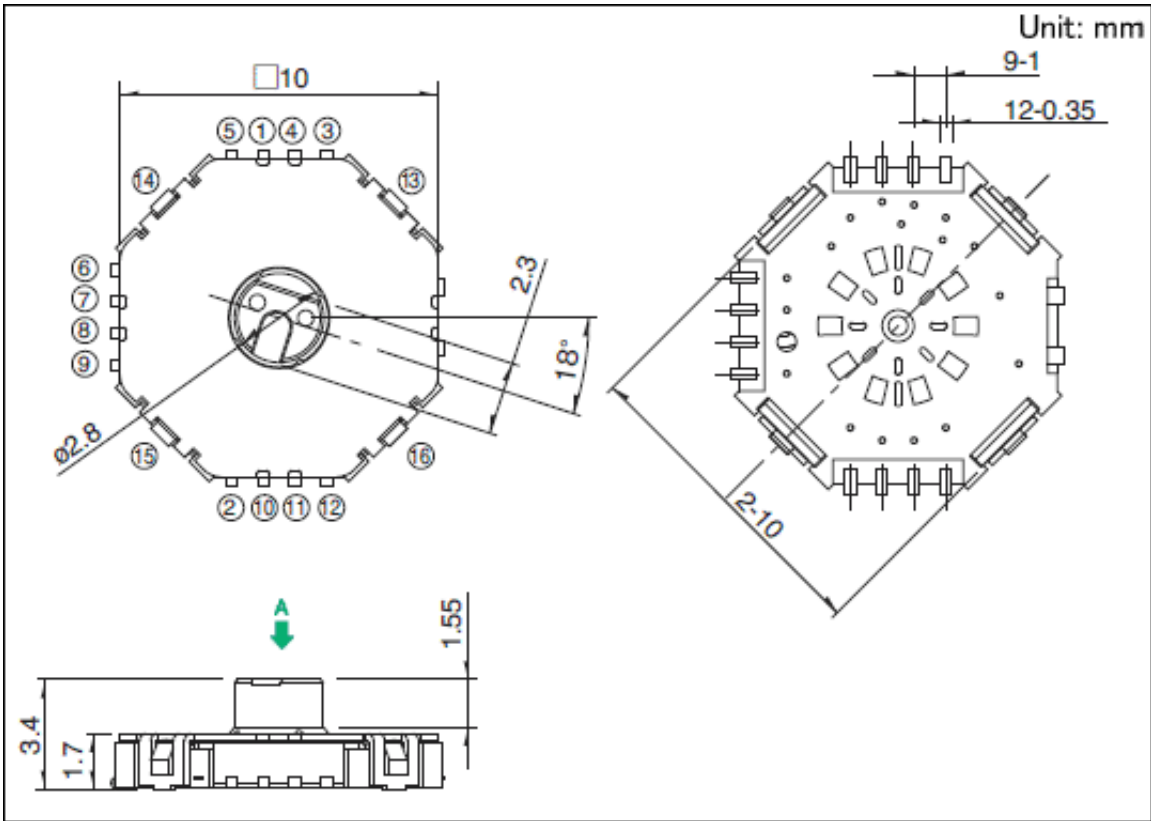


## Heavy-torque Feel, Low-profile Type SRBD Series

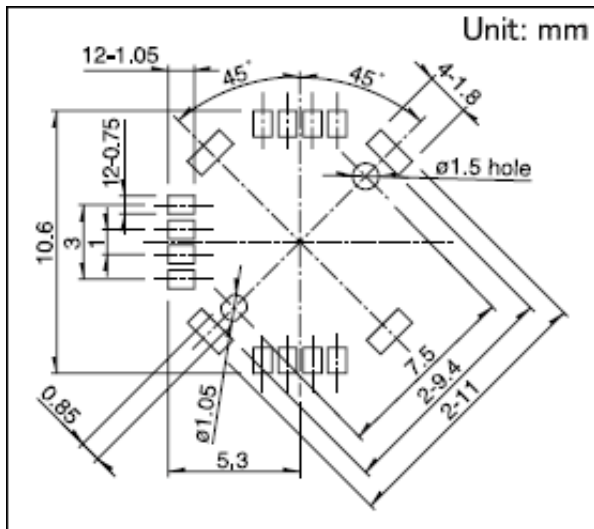
Part number	<b>SRBD170401</b>	
Poles	1	
Positions	10	
Changeover angle	36°	
Detent	7	
Location lug	without	
Changeover timing	Non shorting	
Rotational torque	13±5mN·m	
Soldering	For PC board (Reflow)	
Actuator length	1.7mm	
Operating temperature range	-25°C to +85°C	
Rating (max.)/(min.) (Resistive load)	1mA 5V DC/50µA 3V DC	
Electrical performance	Contact resistance (Initial performance/After lifetime)	200mΩ max./200mΩ max.
	Insulation resistance	100MΩ min. 100V DC
	Voltage proof	100V AC for 1 minute
Mechanical performance	Terminal strength	3N for 1 minute
	Actuator strength    Push direction	50N
Durability	Operating life without load	10,000 cycles 250mΩ max.
	Operating life with load (at max. rated load)	10,000 cycles 250mΩ max.

Environmental performance	Cold	-40±2°C for 500h
	Dry heat	85±2°C for 500h
	Damp heat	60±2°C, 90 to 95%RH for 500h
Minimum order unit (pcs.)	Japan	1,200
	Export	4,800

Dimensions

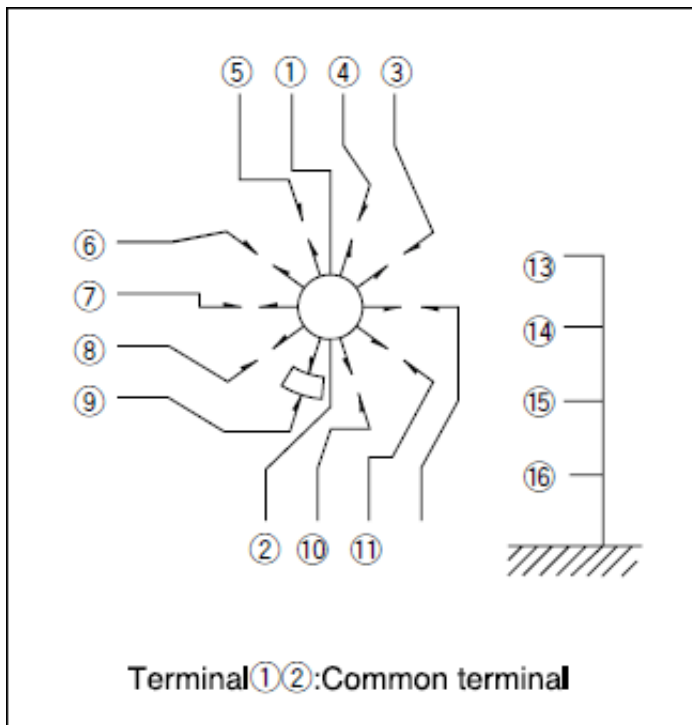


Mounting Hole Dimensions



Viewed from direction A in the dimensions.

### Circuit Diagram

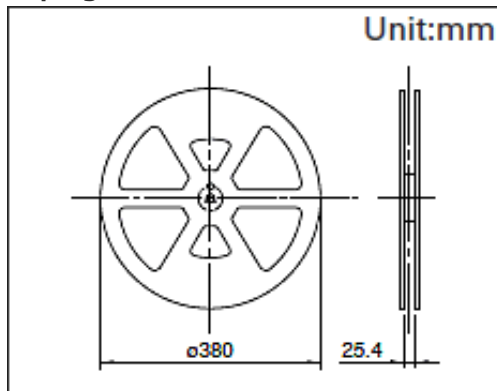


### Correspondence Table of Terminal No. and Detent

position No.	Terminal No.	Detent			
		5	7	8	10
1	③	—	○	—	○
2	④	—	○	○	○
3	⑤	—	○	○	○
4	⑥	○	○	○	○
5	⑦	○	○	○	○
6	⑧	○	○	○	○
7	⑨	○	○	○	○
8	⑩	○	—	○	○
9	⑪	—	—	○	○
10	⑫	—	—	—	○

## Packing Specifications

### Taping




---

Number of packages 1 reel 1,200  
(pcs.)

1 case / Japan 2,400

1 case / export  
packing 4,800

---

Tape width (mm) 24

---

Export package measurements (mm) 428×413×172

---

# Soldering Conditions

## Example of Reflow Soldering Condition

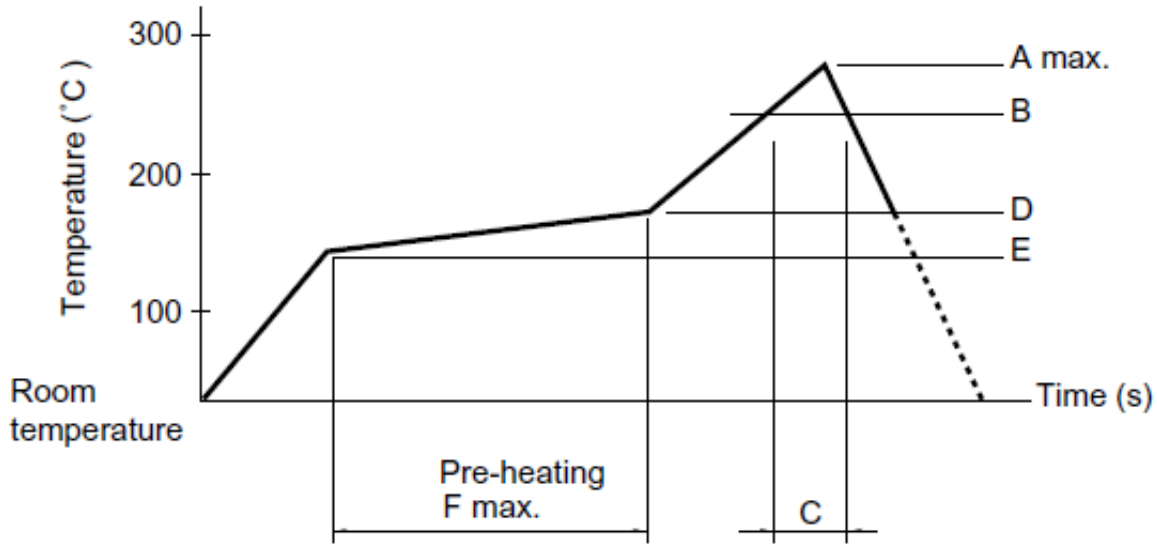
### 1. Heating method

Double heating method with infrared heater.

### 2. Temperature measurement

Thermocouple 0.1 to 0.2  $\Phi$  CA (K) or CC (T) at soldering portion (copper foil surface). A heat resisting tape should be used for fixed measurement.

### 3. Temperature profile



A(°C)	B(°C)	C(s)	D(°C)	E(°C)	F(s)
3s max.					
260	230	40	180	150	120

(1) The condition mentioned above is the temperature on the mounting surface of a PC board. There are cases where the PC board's temperature greatly differs from that of the switch, depending on the PC board's material, size, thickness, etc. The above-stated conditions shall also apply to switch surface temperatures.

(2) Soldering conditions differ depending on reflow soldering machines. Prior verification of soldering condition is highly recommended.

## Notes are common to this series/models.

1. This site catalog shows only outline specifications. When using the products, please obtain formal specifications for supply.
2. Please place purchase orders per minimum order unit (integer).

## X-ON Electronics

Largest Supplier of Electrical and Electronic Components

*Click to view similar products for [Multi-Directional Switches](#) category:*

*Click to view products by [ALPS](#) manufacturer:*

Other Similar products are found below :

[SRBE210100](#) [T4-TCJ3332](#) [T5-NH1118](#) [RKJXW1014002](#) [T4-TCK3312](#) [MJTP1140AAUTR](#) [MJTP1138DTB](#) [3J2115-200N](#) [T2-0018](#) [T2-MC2112](#) [T5-CK2212](#) [PHAP4383V](#) [3J2015-200N](#) [CS41001E](#) [EVQ-Q3AA15](#) [SRBD170401](#) [T4-0010](#) [1.20.126.514/0000](#) [5D001-BKKKKKAWXWXWXWX-W200](#) [SRBD150201](#) [T8-CM111N](#) [T4-CN211N](#) [T4-CD2212](#) [T1-CB2112](#) [RKJXK122000D](#) [RKJXK122400Y](#) [RKJXL100401V](#) [RKJXM2E13001](#) [RKJXM2E13004](#) [RKJXS1004001](#) [RKJXT1F42001](#) [RKJXV1224005](#) [RKJXY100000A](#) [SKRHAAE010](#) [SKRHABE010](#) [SKRHACE010](#) [SKRHADE010](#) [SKSDPCE010](#) [SKSKPBE010](#) [SLLB120100](#) [SLLB120300](#) [SLLB310500](#) [SLLB510100](#) [SLLB510200](#) [SLLB520100](#) [SLLQ110100](#) [SLLQ120100](#) [SPVT110102](#) [SPVT210101](#) [SRBD110401](#)