

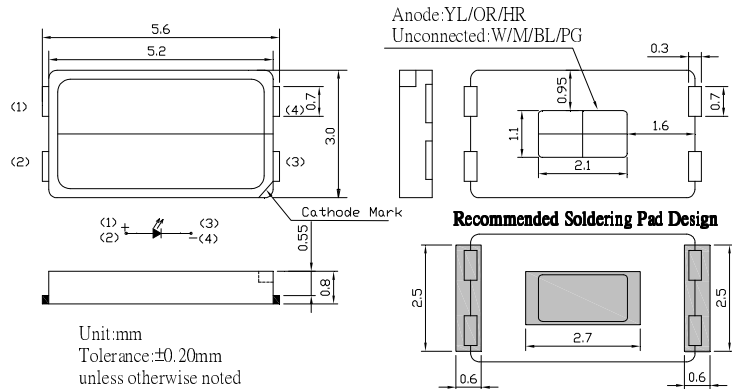
■Features

- Top view white LED (5.6x3.0x0.8mm)
- Super high brightness of surface mount LED
- Lead frame package with individual 4 pins
- ESD protection
- Compatible to IR reflow soldering.
- MSL:Level 5a

■Applications

- General lighting
- Decoration lighting
- Indicator

■Outline Dimension



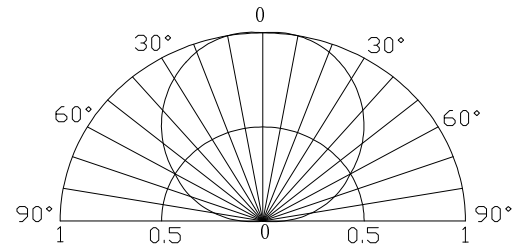
■Absolute Maximum Rating

(Ta=25°C)

Item	Symbo l	Value		Unit
		W/M/B/PG	Y/O/R	
DC Forward Current	I _F	150	150	mA
Pulse Forward Current*	I _{FP}	200	200	mA
Reverse Voltage	V _R	5	5	V
Power Dissipation	P _D	540	390	mW
Operating Temperature	Topr	-30 ~ +85		°C
Storage Temperature	Tstg	-40~ +100		°C
Lead Soldering Temperature	Tsol	260°C/10sec		-

*Pulse width Max 0.1ms, Duty ratio max 1/10

■Directivity



■Electrical -Optical Characteristics

(Ta=25°C)

Part Number	Color		V _F (V)			I _R (μA)	Φ _v (lm)			CCT/WD(WP)			2θ1/2(deg)	CRI
			Min.	Typ.	Max.		Max.	Min.	Typ.	Max.	Min.	Typ.		
			I _F =150mA			V _R =5V			I _F =150mA					
OSW55630C1D	Cool White	W	2.8	3.1	3.6	10	40	-	55	8000K	-	16000K	120	70
OSW45630C1D	White	W	2.8	3.1	3.6	10	45	-	60	6000K	-	7000K	120	75
OSW35630C1D	White	W	2.8	3.1	3.6	10	45	-	60	5000K	-	6000K	120	80
OSM75630C1D	Warm White	M	2.8	3.1	3.6	10	45	-	55	3500K	-	4500K	120	80
OSM55630C1D	Warm White	M	2.8	3.1	3.6	10	40	-	55	2800K	-	3500K	120	80
OSB55630C1D	Blue	B	2.8	3.1	3.6	10	5	-	10	455	465	470	120	-
OSG55630C1D	Pure Green	PG	2.8	3.1	3.6	10	25	-	35	520	525	530	120	-
OSY55630C1D	Yellow	Y	1.8	2.1	2.6	10	10	-	20	585	590	595	120	-
OSO55630C1D	Orange	O	1.8	2.1	2.6	10	10	-	20	600	605	610	120	-
OSR55630C1D	Red	R	1.8	2.1	2.6	10	10	-	20	620	625	630	120	-
OSR75630C1D	Red	R	1.8	2.1	2.6	10	5	-	8	650	660	670	120	-

*1 Tolerance of measurements of chromaticity coordinate is ±10%

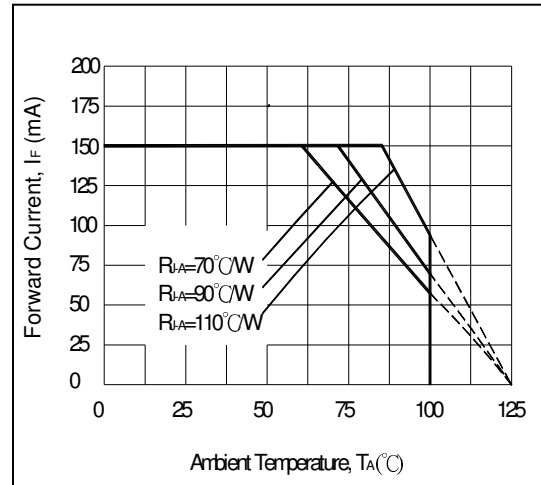
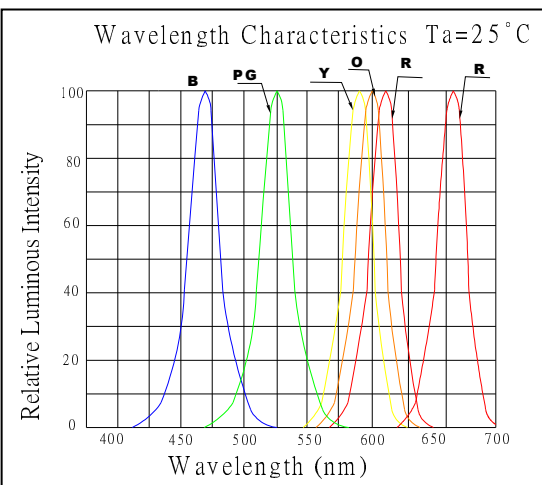
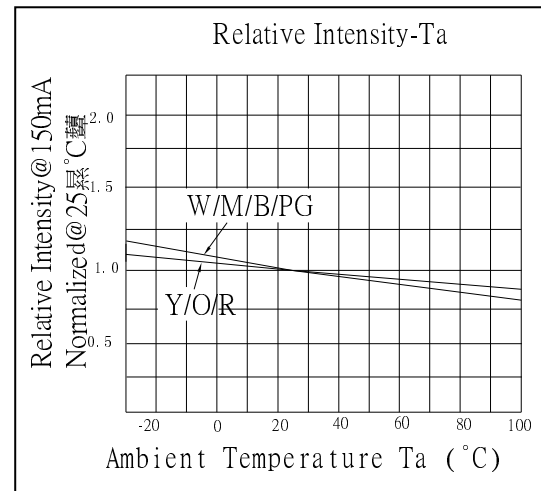
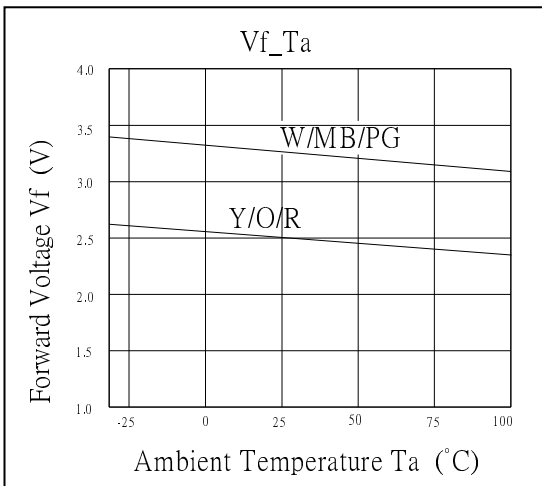
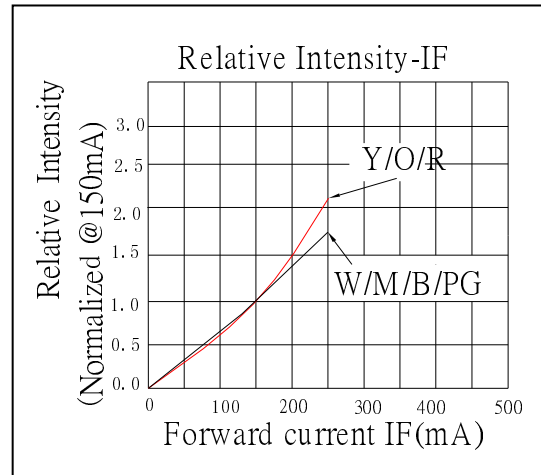
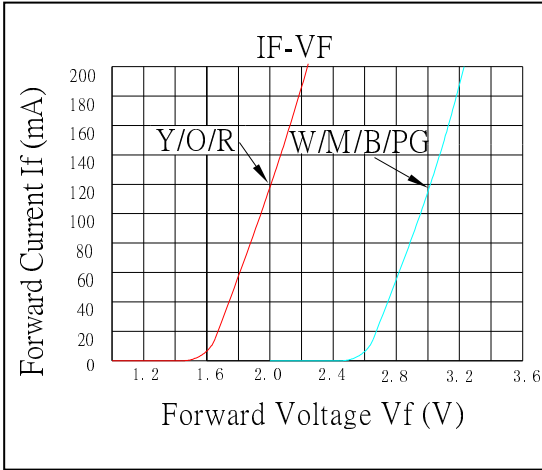
*2 Tolerance of measurements of dominant(peak) wavelength is ±1nm

*3 Tolerance of measurements of luminous flux is ±15%

*4 Tolerance of measurements of forward voltage is ±0.1V

InGaN AND AlInGaP LED

TYPICAL ELECTRICAL/OPTICAL CHARACTERISTIC CURVES



■ Rank

* Correspondence Table of Luminous Flux (IF=150mA)

Bin code	Flux(lm)	
	Min	Max
1	30	35
2	35	40
3	40	45
4	45	50
5	50	55
6	55	60
.....

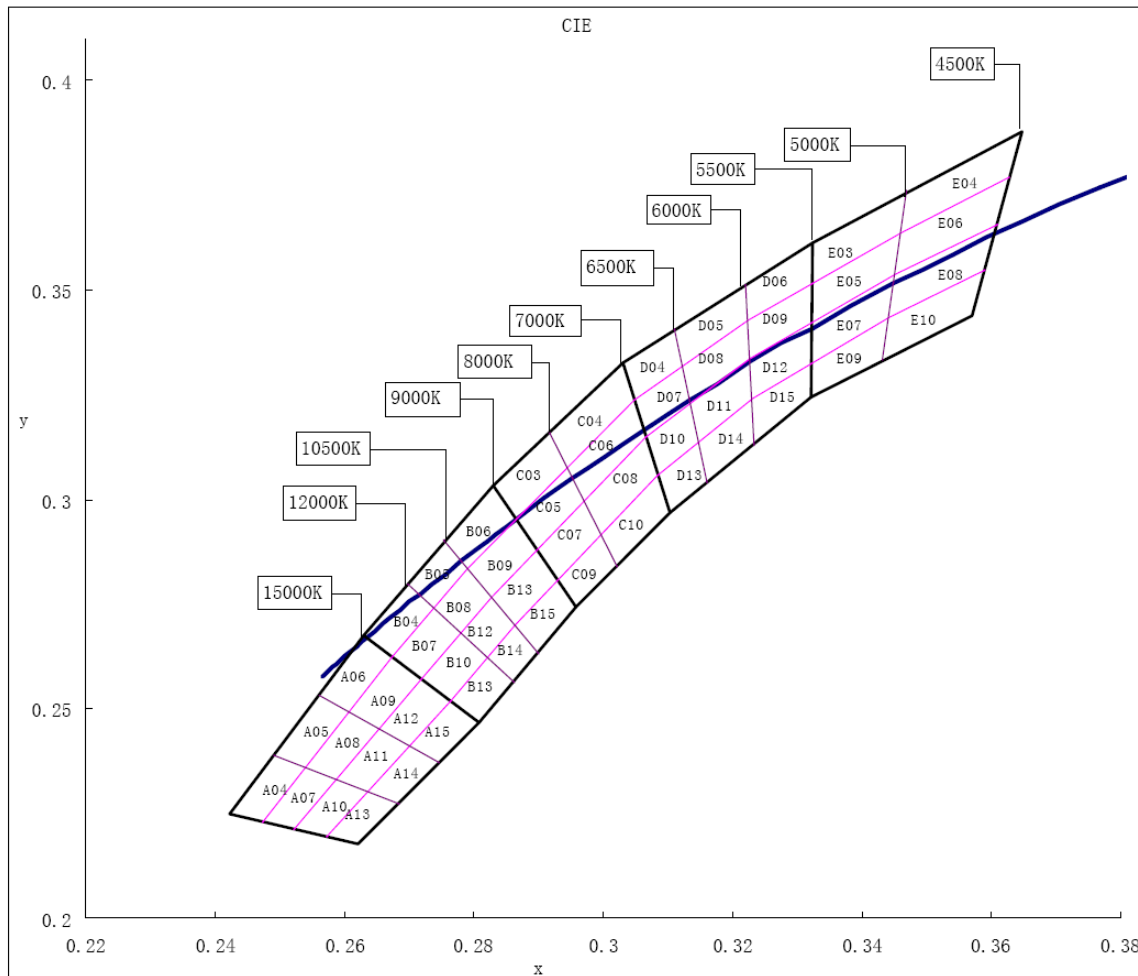
* Correspondence Table of Luminous Flux (IF=65mA)

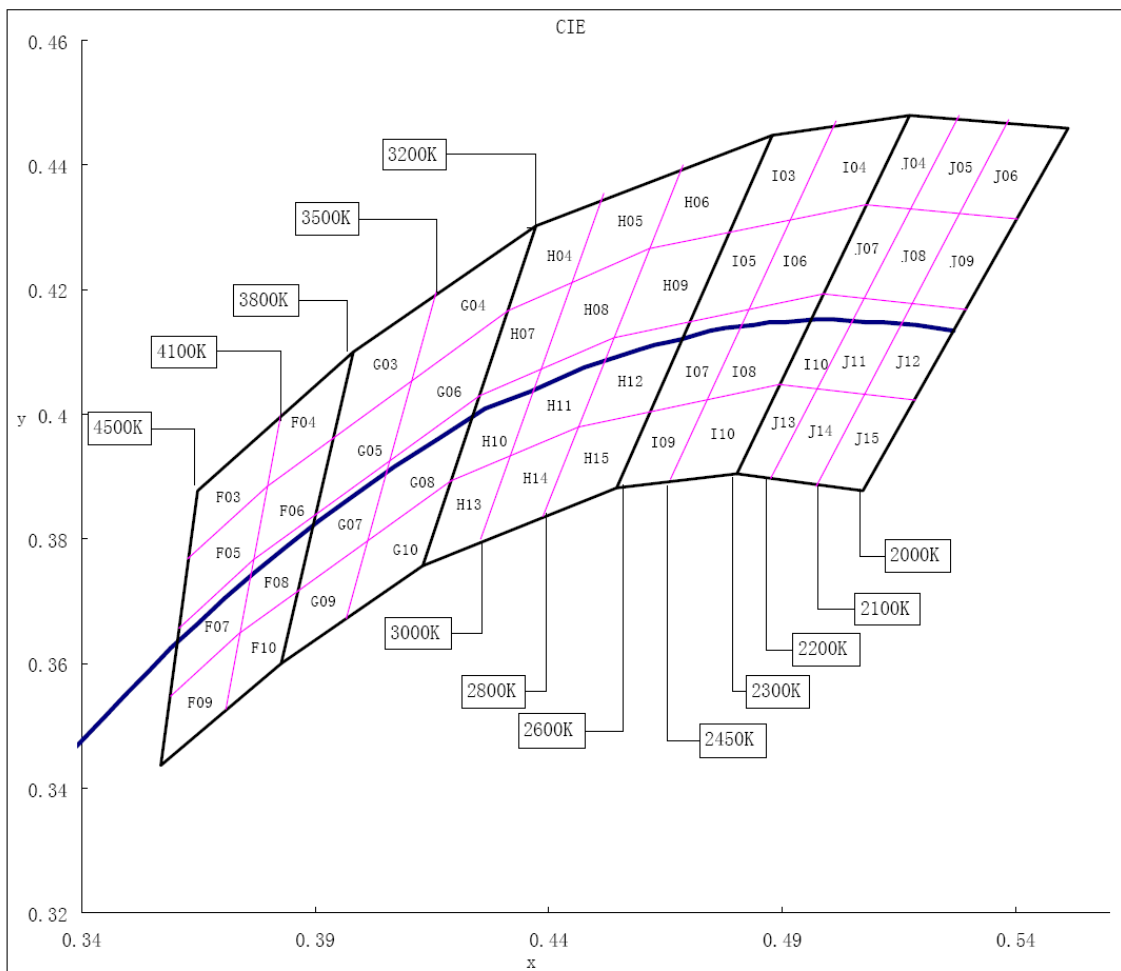
Bin Code	Flux (lm)	
	Min	Max
1	17	19
2	19	22
3	22	25
4	25	29
5	29	33
6	33	37

*VF bin Limit (IF=150mA)

Bin code	Min(V)	Max(V)
A	2.8	3.0
B	3.0	3.2
C	3.2	3.4
D	3.4	3.6

■ Chromaticity Diagram





*Color coordinate is derived from the CIE 1931 chromaticity.

■ Rank

* Correspondence Table of Luminous Flux (IF=150mA)

Bin Code	Flux (lm)	
	Min	Max
A1	5	10
A2	10	15
A3	15	20
B1	20	25
B2	25	30
1	30	35

*VF bin Limit (IF=150mA) (BL/PG)

Bin code	Min (V)	Max(V)
88	2.8	3.0
99	3.0	3.2
AA	3.2	3.4
BB	3.4	3.6

*VF bin Limit (IF=150mA) (YL/HR)

Bin code	Min (V)	Max(V)
33	1.8	2.0
44	2.0	2.2
55	2.2	2.4
66	2.4	2.6

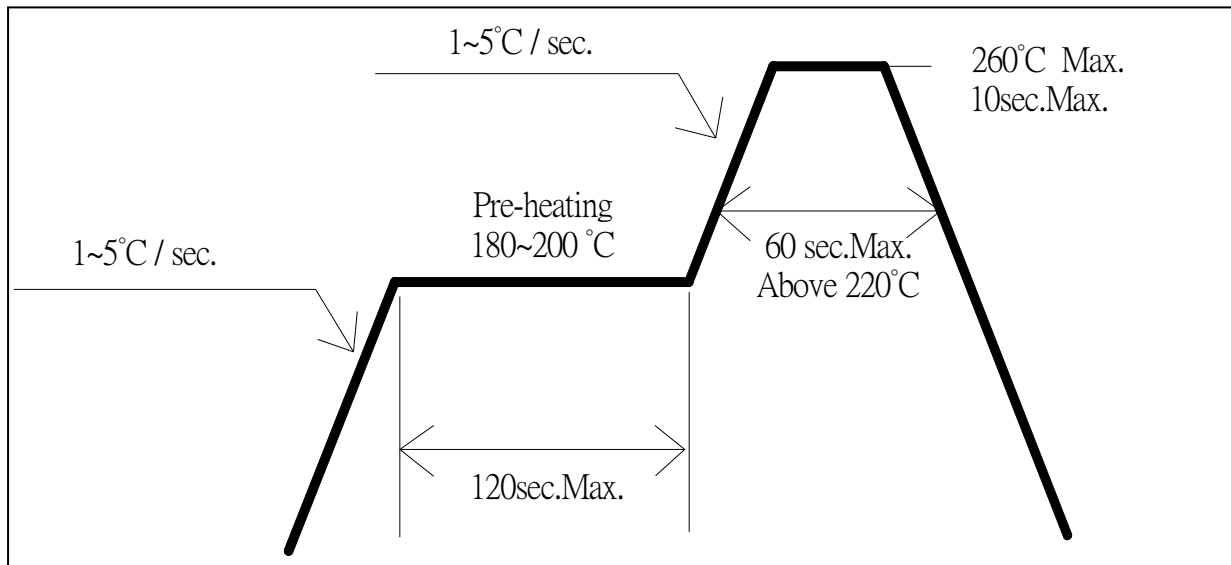
*WD bin Limit (IF=150mA)

W5	1	2	3	-
	8000-10000K	10000-12000K	12000-16000K	-
W4	1	2	-	-
	6000-6500K	6500-7000K	-	-
W3	1	2	-	-
	5000-5500K	5500-6000K	-	-
M7	1	2	-	-
	3500-4000K	4000-4500K	-	-
M5	1	2	3	-
	2800-3000K	3000-3200K	3200-3500K	-
B5	1	2	3	-
	455-460nm	460-465nm	465-470nm	-
G5	1	2	3	4
	520-522.5nm	522.5-525nm	525-527.5nm	527.5-530nm
Y5	1	2	3	4
	585-587.5nm	587.5-590nm	590-592.5nm	592.5-595nm
O5	1	2	3	4
	600-602.5nm	602.5-605nm	605-607.5nm	607.5-610nm
R5	1	2	-	-
	620-625nm	625-630nm	-	-
R7	1	2	-	-
	650-660nm	660-670nm	-	-

■ **Soldering Conditions**

Reflow Soldering		Hand Soldering	
Pre-Heat	180 ~ 200°C	Temperature Soldering time	350°C Max. 3 sec. Max. (one time only)
Pre-Heat Time	120 sec. Max.		
Peak temperature	260°C Max.		
Dipping Time	10 sec. Max.		
Condition	Refer to Temperature-profile		

• **Reflow Soldering Condition(Lead-free Solder)**



*Recommended soldering conditions vary according to the type of LED

*Although the recommended soldering conditions are specified in the above table, reflow, or hand soldering at the lowest possible temperature is desirable for the LEDs.

*A rapid-rate process is not recommended for cooling the LEDs down from the peak temperature.

• All SMD LED products are pb-free soldering available.

• Occasionally there is a brightness decrease caused by the influence of heat or ambient atmosphere during air reflow. It is recommended that the User use the nitrogen reflow method.

• Repairing should not be done after the LEDs have been soldered. When repairing is unavoidable a double-head soldering iron should be used. It should be confirmed beforehand whether the characteristics of the LEDs will or will not be damaged by repairing.

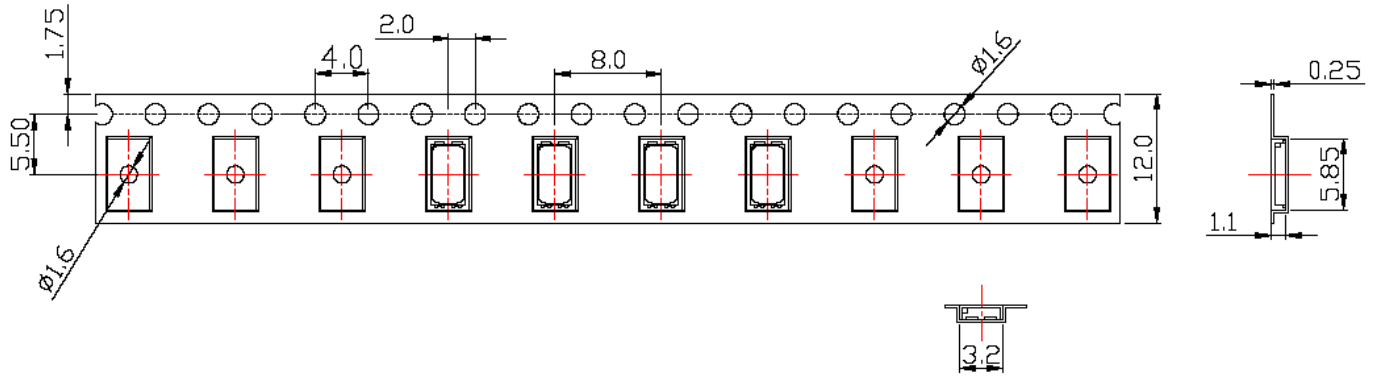
• Reflow soldering should not be done more than two times.

• When soldering, do not put stress on the LEDs during heating.

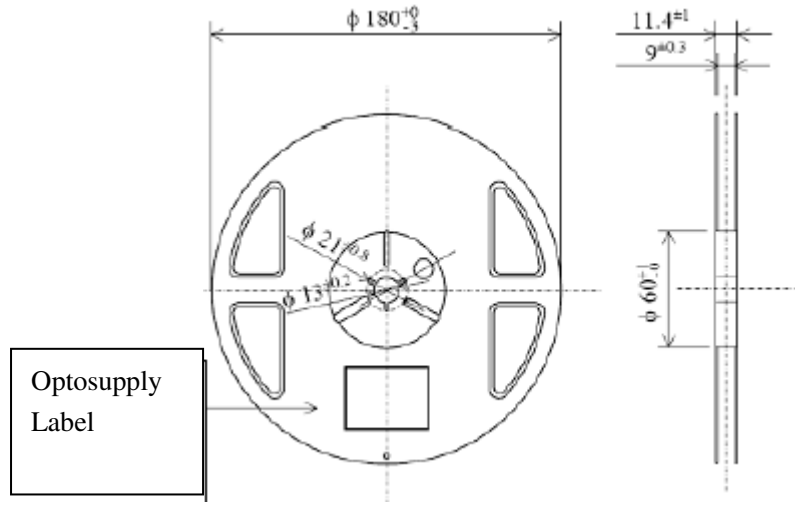
• After soldering, do not warp the circuit board.

■ Package Model

Loaded Quantity 3000 pcs. Per Reel



Reel Part



Optosupply
Label

X-ON Electronics

Largest Supplier of Electrical and Electronic Components

Click to view similar products for [Standard LEDs - SMD category](#):

Click to view products by [Optosupply manufacturer](#):

Other Similar products are found below :

[LTST-C19GD2WT](#) [LTST-N683GBEW](#) [597-3006-607F](#) [597-3403-607F](#) [LTW-K140SZR40](#) [LTW-M140ZVS](#) [598-8110-100F](#) [598-8170-100F](#)
[598-8610-202F](#) [7012X7](#) [AAAF5060QBFSEEZGS](#) [12-22SURSYGC/S530-A3/E2/TR8](#) [1383SURT/S530-A3/TR1\(R\)](#) [APT1608QGW](#)
[EASV1803BA0](#) [HT-F104TW-5860](#) [SML310BATT86](#) [SML-512VWT86A](#) [SML-LX0606SISUGC/A](#) [SML-LXL1307SRC-TR](#) [SML-](#)
[LXR851SIUPGUBC](#) [LT1ED53A](#) [17-21/G6C-FM1N2B/3T](#) [FAT801-S](#) [SSL-LXA227IC-TR31A](#) [AM27ZGC03](#) [APB3025SGNC](#)
[APHK1608VGCA](#) [APT2012QGW](#) [CLMVC-FKA-CA1E1L81BB7C3C3](#) [CLYBA-FKA-CFHHL9BBB7A363](#) [CMD11504UR](#) [LTW-](#)
[020ZDCG](#) [LTW-21TS5](#) [LTW-K140SZR30](#) [HSMY-C177](#) [HT-121UYG-4739](#) [UYGT801-S](#) [KVH1C100MF6R](#) [42-21SYGC/S530-E1/TR8](#)
[YGFR411-H](#) [597-2311-402F](#) [5973212407NF](#) [597-3302-607F](#) [597-5202-407F](#) [598-8330-117F](#) [SAW8WA2A-L35M40-CA](#) [SML013WBDW1](#)
[SML522BUWT86](#) [SML-LX0402IC-TR](#)