

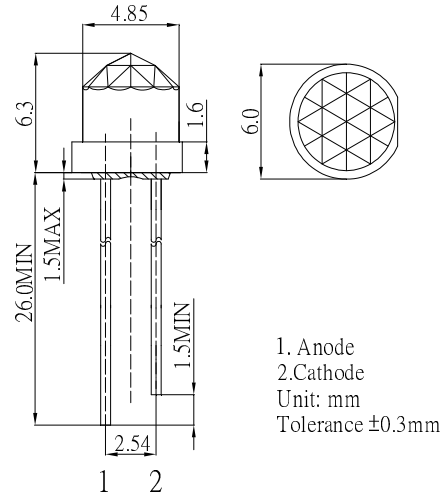
■ **Features**

- High Luminous LEDs
- Diamond Standard Directivity
- Superior Weather-resistance
- UV Resistant Epoxy
- Water Clear Type

■ **Applications**

- Small Area Illuminations
- Decoration
- Other Lighting

■ **Outline Dimension**

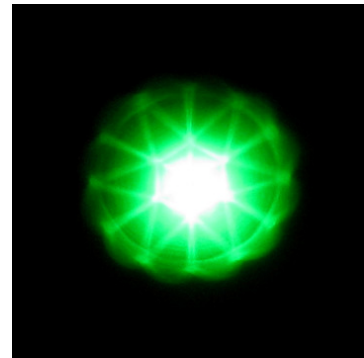


■ **Absolute Maximum Rating**

($T_a=25^\circ\text{C}$)

| Item | Symbol | Value | Unit |
|----------------------------|-----------|----------------------------|------------------|
| DC Forward Current | I_F | 30 | mA |
| Pulse Forward Current* | I_{FP} | 100 | mA |
| Reverse Voltage | V_R | 5 | V |
| Power Dissipation | P_D | 108 | mW |
| Operating Temperature | T_{opr} | -30 ~ +85 | $^\circ\text{C}$ |
| Storage Temperature | T_{stg} | -40 ~ +100 | $^\circ\text{C}$ |
| Lead Soldering Temperature | T_{sol} | 260 $^\circ\text{C}$ /5sec | - |

■ **Directivity**



*Pulse width Max.10ms Duty ratio max 1/10

■ **Electrical -Optical Characteristics**

($T_a=25^\circ\text{C}$)

| Item | Symbol | Condition | Min. | Typ. | Max. | Unit |
|---------------------|-----------------|-------------------|------|------|------|---------------|
| DC Forward Voltage | V_F | $I_F=20\text{mA}$ | 2.9 | 3.1 | 3.6 | V |
| DC Reverse Current | I_R | $V_R=5\text{V}$ | - | - | 10 | μA |
| Domi. Wavelength* | λ_D | $I_F=20\text{mA}$ | 520 | 525 | 530 | nm |
| Luminous Intensity* | I_v | $I_F=20\text{mA}$ | 1560 | 2180 | - | mcd |
| 50% Power Angle | $2\theta_{1/2}$ | $I_F=20\text{mA}$ | - | - | - | deg |

*1 Tolerance of dominant wavelength is ± 1 nm

*2 Tolerance of luminous intensity is $\pm 15\%$

X-ON Electronics

Largest Supplier of Electrical and Electronic Components

Click to view similar products for [Standard LEDs - SMD category](#):

Click to view products by [Optosupply manufacturer](#):

Other Similar products are found below :

[LTST-C19GD2WT](#) [LTST-N683GBEW](#) [597-3006-607F](#) [597-3403-607F](#) [LTW-K140SZR40](#) [LTW-M140ZVS](#) [598-8110-100F](#) [598-8170-100F](#)
[598-8610-202F](#) [7012X7](#) [AAAF5060QBFSEEZGS](#) [12-22SURSYGC/S530-A3/E2/TR8](#) [1383SURT/S530-A3/TR1\(R\)](#) [APT1608QGW](#)
[EASV1803BA0](#) [HT-F104TW-5860](#) [SML310BATT86](#) [SML-512VWT86A](#) [SML-LX0606SISUGC/A](#) [SML-LXL1307SRC-TR](#) [SML-](#)
[LXR851SIUPGUBC](#) [LT1ED53A](#) [17-21/G6C-FM1N2B/3T](#) [FAT801-S](#) [SSL-LXA227IC-TR31A](#) [AM27ZGC03](#) [APB3025SGNC](#)
[APHK1608VGCA](#) [APT2012QGW](#) [CLMVC-FKA-CA1E1L81BB7C3C3](#) [CLYBA-FKA-CFHHL9BBB7A363](#) [CMD11504UR](#) [LTW-](#)
[020ZDCG](#) [LTW-21TS5](#) [LTW-K140SZR30](#) [HSMY-C177](#) [HT-121UYG-4739](#) [UYGT801-S](#) [KVH1C100MF6R](#) [42-21SYGC/S530-E1/TR8](#)
[YGFR411-H](#) [597-2311-402F](#) [5973212407NF](#) [597-3302-607F](#) [597-5202-407F](#) [598-8330-117F](#) [SAW8WA2A-L35M40-CA](#) [SML013WBDW1](#)
[SML522BUWT86](#) [SML-LX0402IC-TR](#)