

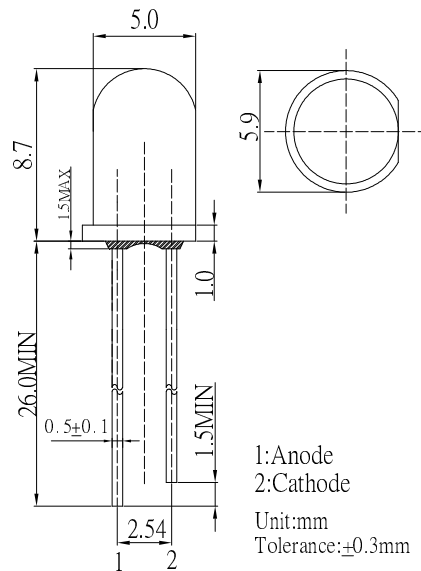
■Features

- Infrared Light Emitting Diode
- 880nm, 45mW
- Viewing angle: 20deg
- Package: 5mm clear epoxy
- UV Resistant Epoxy

■Applications

- IrDA
- Encoder
- Data Communication
- IR camera

■Outline Dimension



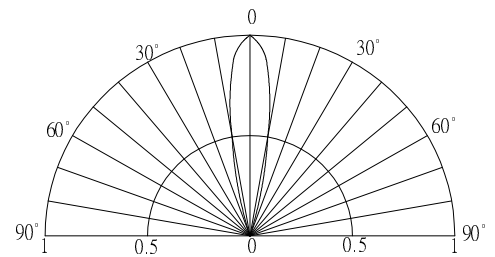
■Absolute Maximum Rating

(Ta=25°C)

| Item | Symbol | Value | Unit |
|----------------------------|------------------|------------|------|
| DC Forward Current | I _F | 100 | mA |
| Pulse Forward Current* | I _{FP} | 200 | mA |
| Reverse Voltage | V _R | 5 | V |
| Power Dissipation | P _D | 190 | mW |
| Operating Temperature | T _{opr} | -30 ~ +85 | °C |
| Storage Temperature | T _{stg} | -40~ +100 | °C |
| Lead Soldering Temperature | T _{sol} | 260°C/5sec | - |

*Pulse width Max.10ms Duty ratio max 1/10

■Directivity



■Electrical -Optical Characteristics

(Ta=25°C)

| Item | Symbol | Condition | Min. | Typ. | Max. | Unit |
|--------------------|-------------------|-----------------------|------|------|------|-------|
| DC Forward Voltage | V _F | I _F =100mA | - | 1.6 | 2.0 | V |
| DC Reverse Current | I _R | V _R =5V | - | - | 10 | μA |
| Peak Wavelength | λ _p | I _F =100mA | 886 | 880 | 892 | nm |
| Radiant Intensity | I _e | I _F =100mA | - | 45 | - | mW/Sr |
| 50% Power Angle | 2θ _{1/2} | I _F =100mA | - | 20 | - | deg |

*1 Tolerance of Peak wavelength is ±1nm

*2 Tolerance of luminous intensity is ±15%

X-ON Electronics

Largest Supplier of Electrical and Electronic Components

Click to view similar products for [Infrared Emitters - High Power category](#):

Click to view products by [Optosupply manufacturer](#):

Other Similar products are found below :

[IR19-315C/TR8](#) [SFH 4030](#) [SFH 4060](#) [HSM8-V380](#) [HSM9-V380](#) [SFH 5750](#) [PK2S-2KJE-A](#) [PK2S-2LJE-A](#) [PK2S-3KJE-A](#) [PK2S-3KKE-A](#)
[PK2S-3LJE-A](#) [PK2S-4KJE-A](#) [AREQ-90C0-00000](#) [AREQ-80C0-00000](#) [SFH 4775S A01](#) [SST-10-IRD-B90H-S810](#) [SFH 4727A](#) [SFH 4726AS](#)
[SFH 4717AS](#) [AREQ-8020-00000](#) [HR5P-N3FB-00000](#) [HR5P-N2FB-00000](#) [HR5P-N3CB-00000](#) [HR5P-N2CB-00000](#) [HR5P-N3CA-00000](#)
[HR5P-N2CA-00000](#) [HR5P-N2FA-00000](#) [HR5P-N3FA-00000](#) [VSMY2853SLX01](#) [VSMY2853RGX01](#) [VSMY2853GX01](#) [VSMY2850GX01](#)
[IN-P281ASGHIR](#) [IN-P281ASGIR](#) [QEE123](#) [HSDL-4400#011](#) [C3535SIR2C-2B](#) [KM-4457F3C](#) [L-53F3BT](#) [VTE1291W-2H](#) [LL-304IRC4B-](#)
[2AD](#) [LL-503HIRT2E-1CC](#) [LL-503IRC2E-2AC](#) [LL-503IRC2V-2AD](#) [LL-503IRT2E-2AC](#) [LL-503IRT2E-2AE](#) [LL-503SIRC2E-1BD](#) [LL-](#)
[503SIRC2H-1BE](#) [LL-S170IRC-2A](#) [SFH 4259](#)