

|           |                           |
|-----------|---------------------------|
| Model No. | OST08WG01GD-<br>XXXXT8E1A |
| REV.      | C1                        |

## T08 Flat AUTO LED

### Descriptions:

- Green light source, fast response
- Long life, easy installation
- Voltages available 12VDC
- LED model number: XXXXT8E1A

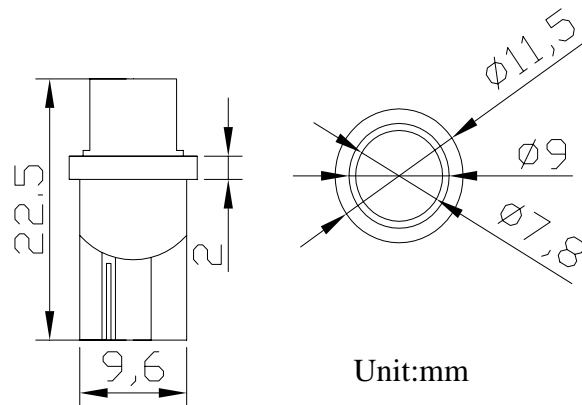
### Features:

- Available in red, yellow, green, blue, white
- High temperature and environmental protection PA material for lamp holder
- Low power consumption
- Energy saving
- Eye protection, no stroboflash, no radiation
- Long life

### Application:

- Dashboard Light
- Width-indicator Lamp
- Signal Light

### Product Picture and Dimensions:





|           |                           |
|-----------|---------------------------|
| Model No. | OST08WG01GD-<br>XXXXT8E1A |
| REV.      | C1                        |

### Device Selection Guide

| Module No. | Color  | Wavelength (Typ.) | Intensity / Per LED (Typ.) | Overall luminous flux |
|------------|--------|-------------------|----------------------------|-----------------------|
| R5RUT8E1A  | Red    | 625 nm            | 420mcd                     | 1.0lm                 |
| G5DUT8E1A  | Green  | 525 nm            | 3100mcd                    | 3.5lm                 |
| B5YUT8E1A  | Blue   | 470 nm            | 770mcd                     | 0.6lm                 |
| Y5RUT8E1A  | Yellow | 590 nm            | 420mcd                     | 1.0lm                 |
| W5YKT8E1A  | White  | X=0.27,Y=0.28     | 1500mcd                    | 3.0lm                 |

### Absolute Maximum Ratings(Ta=25 )

| Items                      | Symbol           | Values    | Units |
|----------------------------|------------------|-----------|-------|
| Operating supply range(DC) | V <sub>idc</sub> | 16        | V     |
| Input Current (DC)         | I <sub>i</sub>   | 30        | mA    |
| Power Dissipation          | P <sub>a</sub>   | 0.48      | W     |
| Operating Temperature      | T <sub>ope</sub> | -10 ~ +40 | DegC  |
| Storage Temperature        | T <sub>stg</sub> | -20 ~ +80 | DegC  |

### Typical Performance (Ta=25 )

| Items                 | Symbol            | Min. | Typ. | Max. | Units |
|-----------------------|-------------------|------|------|------|-------|
| LED Module Power      | P <sub>m</sub>    | -    | 0.24 | 0.48 | w     |
| Input Voltage(DC)     | V <sub>i</sub>    | -    | 12   | 16   | V     |
| Product input Current | I <sub>f</sub>    | -    | 20   | 30   | mA    |
| Beam Pattern          | BP                | -    | 140  | -    | Deg   |
| Total diameter of PCB | L <sub>mod.</sub> | -    | 22.5 | -    | mm    |
| Net Weight            | Wei.              | ---  | 1.0  | ---  | g     |

## X-ON Electronics

Largest Supplier of Electrical and Electronic Components

*Click to view similar products for [LED Panel Mount Indicators](#) category:*

*Click to view products by [Optosupply](#) manufacturer:*

Other Similar products are found below :

[607-1312-310F](#) [607-3232-140F](#) [6091M1-24V](#) [6091M5-24V](#) [6091M7-24V](#) [821-0331-503](#) [FL2870C8R](#) [FL2950WL7B](#) [FL589WL8R](#)  
[Q6P3BXXB12E](#) [H8630FBBA3](#) [MPC5ADW6.0](#) [DX1091GN](#) [NL177WL3G](#) [NL276C3G](#) [NL2950BWL3G](#) [NL2950CWL2R](#) [NL589WL2R](#)  
[NL67C3G](#) [NL67C3R](#) [2191L1-12V](#) [PB22SIOL0RG](#) [PB22SPPM41R](#) [PB22SPPM61R](#) [LE177C5B](#) [LH1048BSWL3702](#) [LH1048BWL3702](#)  
[LH382A](#) [LHM62B](#) [SSI-LXH387USBD-150](#) [SSI-LXH9ZIC40587](#) [SSP-LXS110818BA](#) [FL2950BWL7R](#) [FL2950WL7R](#) [FL2951WL8G](#)  
[FL2951WL8R](#) [FL589C7R](#) [FL67C7R](#) [FL67WL8G](#) [2191QU7-24V](#) [2191U1-12V](#) [2191U5-12V](#) [2191U5-6V](#) [2191U7-12V](#) [249-4167-3734-504F](#) [Q6P5BXXG02E](#) [3990A7](#) [5110F3-12V](#) [MPC5BCW18.0](#) [556-1237-801F](#)