

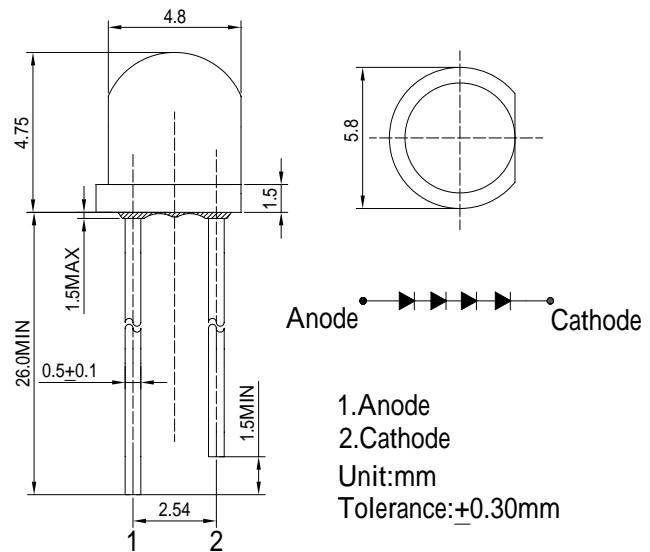
### Features

- Higher Luminous Output
- 4.8mm Straw Standard Directivity
- Superior Weather-resistance
- Long Lifetime Operation
- Water Clear Type

### Applications

- Electronic Signs And Signals
- Illuminations
- Reading Lamps / Emergency Lighting
- Other Lighting

### Outline Dimension

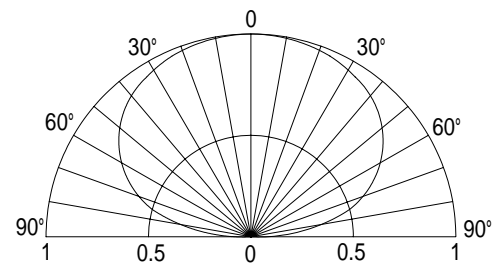


### Absolute Maximum Rating (Ta=25 °C)

| Item                       | Symbol    | Value      | Unit |
|----------------------------|-----------|------------|------|
| DC Forward Current         | $I_F$     | 20         | mA   |
| Pulse Forward Current*     | $I_{FP}$  | 40         | mA   |
| Reverse Voltage            | $V_R$     | 5          | V    |
| Power Dissipation          | $P_D$     | 272        | mW   |
| Operating Temperature      | $T_{opr}$ | -30 ~ +85  |      |
| Storage Temperature        | $T_{stg}$ | -40 ~ +100 |      |
| Lead Soldering Temperature | $T_{sol}$ | 260 /5sec  | -    |

\*Pulse width Max 10ms , Duty ratio max 1/10

### Directivity



### Electrical -Optical Characteristics (Ta=25 °C)

| Item                      | Symbol          | Condition         | Min. | Typ. | Max. | Unit          |
|---------------------------|-----------------|-------------------|------|------|------|---------------|
| DC Forward Voltage        | $V_F$           | $I_F=20\text{mA}$ | 11.6 | 12.0 | 13.6 | V             |
| DC Reverse Current        | $I_R$           | $V_R=5\text{V}$   | -    | -    | 10   | $\mu\text{A}$ |
| Luminous Flux             | $\nu$           | $I_F=20\text{mA}$ | 28   | 30   | -    | lm            |
| Color Temperature         | CCT             | $I_F=20\text{mA}$ | -    | 6500 | -    | K             |
| Chromaticity Coordinate*2 | x               | $I_F=20\text{mA}$ | -    | 0.31 | -    |               |
|                           | y               | $I_F=20\text{mA}$ | -    | 0.33 | -    |               |
| 50% Power Angle           | $2\theta_{1/2}$ | $I_F=20\text{mA}$ | -    | 150  | -    | deg           |

\*1 Tolerance of chromaticity coordinates  $\pm 10\%$

\*2 Tolerance of luminous flux is  $\pm 15\%$

## X-ON Electronics

Largest Supplier of Electrical and Electronic Components

*Click to view similar products for [Standard LEDs - Through Hole category:](#)*

*Click to view products by [Optosupply manufacturer:](#)*

Other Similar products are found below :

[LTL-10254W](#) [LTL-1214A](#) [LTL-1BEDJ](#) [LTL-2231AT](#) [LTL-3251A](#) [LTL-4262N](#) [LTL-5234](#) [LTL87HTBK](#) [LTD-87HD4B](#) [7383/V7C3-BSTA-L/PR3/MS](#) [G22041431007J2C000](#) [HLMP-AG64-X10ZZ](#) [HLMP-EG1A-Z10DV](#) [HLMP-EL3B-WXKDD](#) [HLMP-HB74-UVBDD](#) [HLMP-HG65-VY0DD](#) [HLMP-HM74-34CDD](#) [HLMP-HM75-34CDD](#) [1L0532V23G0TD001](#) [NSPW500CS](#) [C4SMA-BGF-CQ34Q3C2](#) [L53GC13](#) [264-7SURTS530-A3](#) [L-C150JRCT](#) [S4SMS-BJF-CQ42QGF2](#) [S4SMS-GJF-CW12QMF2](#) [LD CQDP-1U3U-W5-1-K](#) [LNX998CKBDA](#) [LO566UHR3-70G-A3](#) [SLA560WBD2PT3](#) [LP379PPG1C0G0300001](#) [SLR-322MCT32](#) [SLR-342DUT32](#) [SLR-342MC3F](#) [SLR343BC7TT32](#) [SLR343BCTT32](#) [SLX-LX3044GD](#) [SLX-LX3044ID](#) [SLX-LX3044YD](#) [SNW-LX504SRC/4](#) [1.90690.3330000](#) [SSL-LX20483ID](#) [SSL-LX3034YD](#) [SSL-LX5093LGT-11](#) [SSL-LX5093PGC](#) [SSL-LX5093SRC/F](#) [SSL-LX5093SYT](#) [SSL-LX5099SRSGC-CA](#) [SSL-LX509E3SIT](#) [SSL-LX509FT3ID](#)