

NOTES:

- ⊗ REPRESENTS A CRITICAL DIMENSION.
- BURR ALLOWANCE: .003[.08] MAX.
- PARTS TO BE MOLDED TO POSITION.
- MINIMUM PIN PULLOUT FORCE: 4.000LB[17.79N]
- CONTACT MUST BE INSERTED UNTIL RETENTION FEATURE LOCKS INTO PLACE.
- ALL FINISHED GOODS ARE TO BE ELECTRICAL TESTED INCLUDING HI-POT TEST @ 1000 VOLTS DC. AFTER FINAL ELECTRICAL TEST, LABEL EACH ASSEMBLY WITH 1 LABEL-ET. ⊗
- TINNED COPPER WIRE IS ROHS COMPLIANT.
- PARTS ARE TO BE LAYER PACKAGED.
- MINIMUM METAL LATCH RETENTION FORCE: 1.000LB[4.45N]
- REFER TO CRIMP SPECIFICATIONS PRINT FOR CRIMP AND STRIP DIMENSIONS, TOLERANCES, AND TOOLING. ⊗
- FOR LENGTHS LESS THAN 12 IN, TOLERANCE SHALL BE ±.125[3.18]. FOR OTHER LENGTHS, TOLERANCES SHALL BE ±2%.
- LOCATION OF GATE PAD IS AT THE DISCRETION OF THE VENDOR.

MMSDX-XX-XXX-X-XX.XX-X-X-XXX

FEP CABLE OPTION
 -F: FEP INSULATION
 (LEAVE BLANK FOR STANDARD PVC INSULATION)

No OF POSITIONS
 -02 THRU -25
 (PER ROW)

WIRE GAUGE (AWG)
 PVC: -20, -22, -24, -26, -28, -30
 FEP: -20, -24, 28-30

COLOR CODE
 C (SEE TABLE 3, SHEET 3)
 (LEAVE BLANK FOR STANDARD BLACK CABLE)
 (NOT AVAILABLE WITH FEP OPTION)

PLATING SPECIFICATION
 -F: FLASH SELECTIVE (USE C-179-XX-F)
 -L: LIGHT SELECTIVE (USE C-179-XX-L)
 -S: SELECTIVE (USE C-179-XX-S)

ASSEMBLED LENGTH
 SPECIFY IN INCHES [USE DWC-XX-XX]
 (SINGLE END: 03.00 INCH MINIMUM,
 DOUBLE END: 03.25 INCH MINIMUM)

END OPTION
 -S: SINGLE END
 -D: DOUBLE END
 (MUST CHOOSE FROM LUS, LDS, LUX, LDX, MUS, MDS, MUX, OR MDX)

OPTION

SINGLE
 -M: METAL LATCH (USE IPD1-XX-D-X-M)
 (LEAVE BLANK FOR PLASTIC)

DOUBLE
 -LUS: PLASTIC LATCH UP, STRAIGHT
 -LDS: PLASTIC LATCH DOWN, STRAIGHT
 -LUX: PLASTIC LATCH UP, CROSSED
 -LDX: PLASTIC LATCH DOWN, CROSSED
 -MUS: METAL LATCH UP, STRAIGHT
 -MDS: METAL LATCH DOWN, STRAIGHT
 -MUX: METAL LATCH UP, CROSSED
 -MDX: METAL LATCH DOWN, CROSSED

POLARIZATION OPTION
 (-P, -K, OR -G OPTION IS REQUIRED.)
 -P: POLARIZATION (SEE FIG 3, SHEET 2)
 (NOT AVAILABLE WITH -LUS, -LDS, -LUX, -K, -G OPTIONS)
 -K: KEYED POLARIZATION
 (USE IPD1-XX-D-K) (SEE FIG 4, SHEET 2)
 (NOT AVAILABLE WITH -P, -G OPTIONS)
 -G: GUIDE POST
 (USE IPD1-XX-D-GP) (SEE FIG 6, SHEET 3)
 (NOT AVAILABLE WITH -LDS, -LUX, -P, -K OPTIONS)

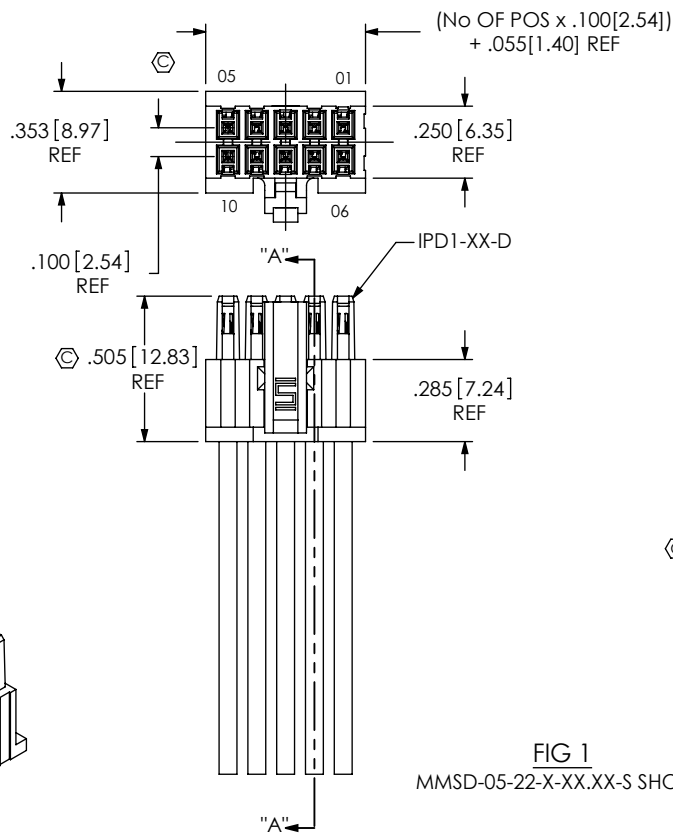
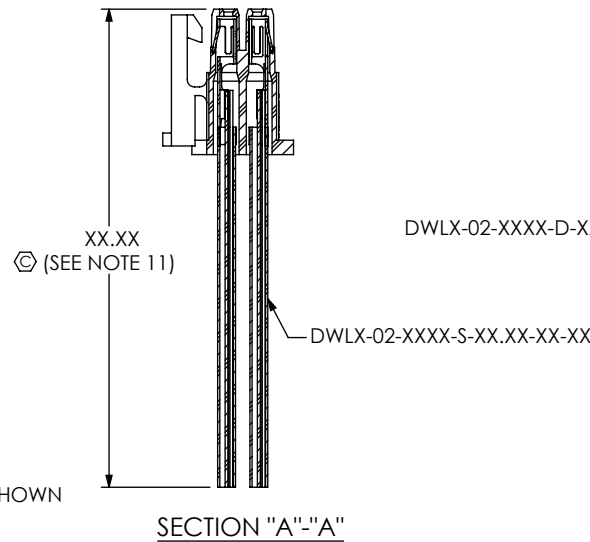


FIG 1
 MMSD-05-22-X-XX.XX-S SHOWN



SECTION "A"-"A"

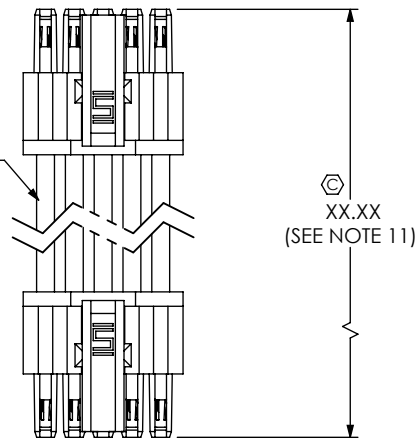
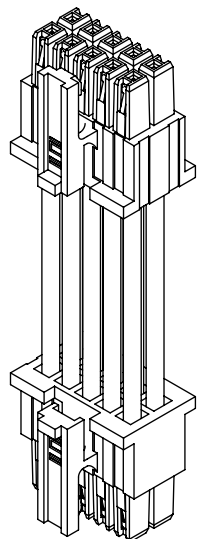


FIG 2
 MMSD-05-22-X-XX.XX-D SHOWN



SERIES	WIRE GAUGE	CABLE	CONTACT
MMSD	20 AWG	DWC-20-XX-300	C-179-03-X
MMSD	22 AWG	DWC-22-XX-300	C-179-03-X
MMSD	24 AWG	DWC-24-XX-300	C-179-03-X
MMSD	26 AWG	DWC-26-XX-300	C-179-02-X
MMSD	28 AWG	DWC-28-XX-300	C-179-02-X
MMSD	30 AWG	DWC-30-XX-300	C-179-02-X
MMSDT	20 AWG	DWCT-20-XX	C-179-03-X
MMSDT	24 AWG	DWCT-24-XX	C-179-02-X
MMSDT	28 AWG	DWCT-28-XX	C-179-04-X
MMSDT	30 AWG	DWCT-30-XX	C-179-04-X

C:\EnterpriseVault\dwg\MISC\Mktg\MMSDX-XX-XXX-X-XX.XX-X-X-XXX-MKT.SLDDRW

UNLESS OTHERWISE SPECIFIED, DIMENSIONS ARE IN INCHES. TOLERANCES ARE:
 DECIMALS ANGLES
 .XX: ±.01 [.3] 2°
 .XXX: ±.005 [.13]
 .XXXX: ±.0020 [.051]

PROPRIETARY NOTE
 THIS DOCUMENT CONTAINS INFORMATION CONFIDENTIAL AND PROPRIETARY TO SAMTEC, INC. AND SHALL NOT BE REPRODUCED OR TRANSFERRED TO OTHER DOCUMENTS OR DISCLOSED TO OTHERS OR USED FOR ANY PURPOSE OTHER THAN THAT WHICH IT WAS OBTAINED WITHOUT THE EXPRESSED WRITTEN CONSENT OF SAMTEC, INC.

MATERIAL: DO NOT SCALE DRAWING SHEET SCALE: 1:0.666667
 HOUSING: NYLON 66, COLOR: WHITE
 CONTACT: PHOS BRONZE
 CABLE: INSULATION: SEE CALLOUT
 WIRE: TINNED COPPER
 LATCH: NICKEL-PLATED BeCu, #25, 1/2 HT



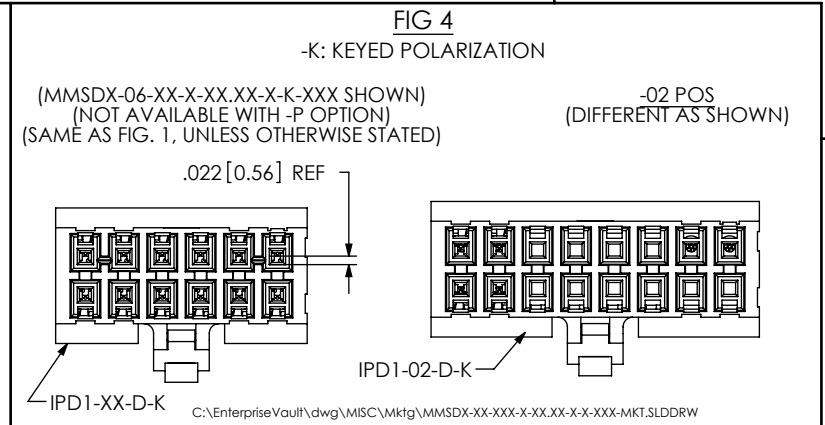
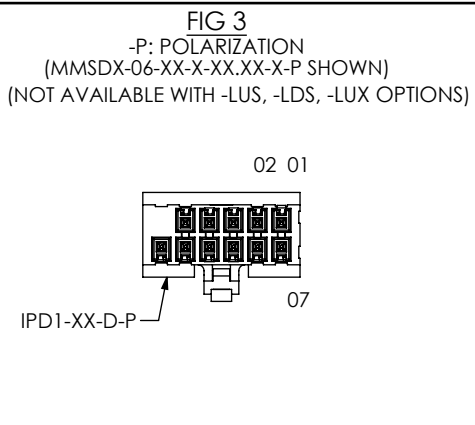
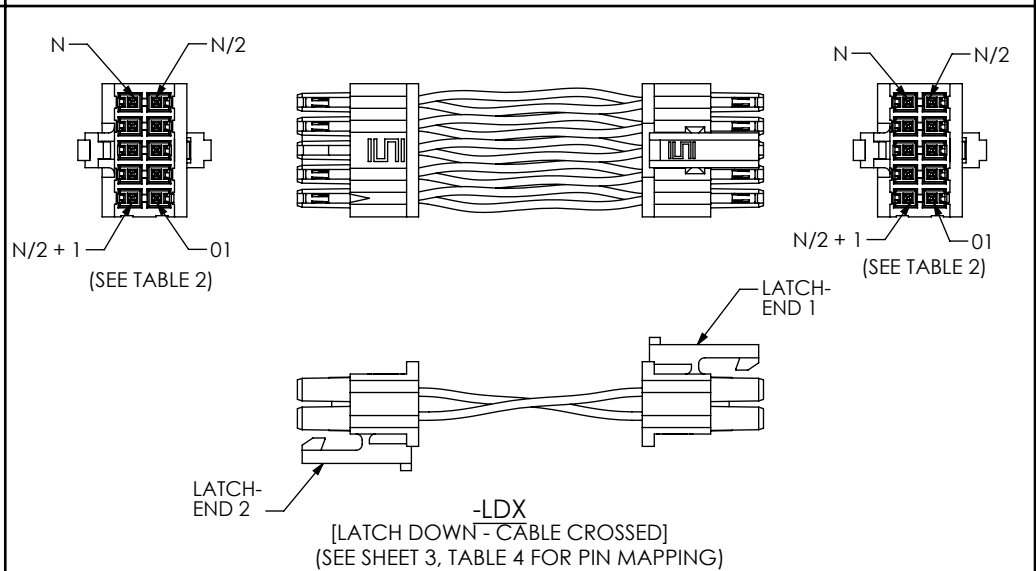
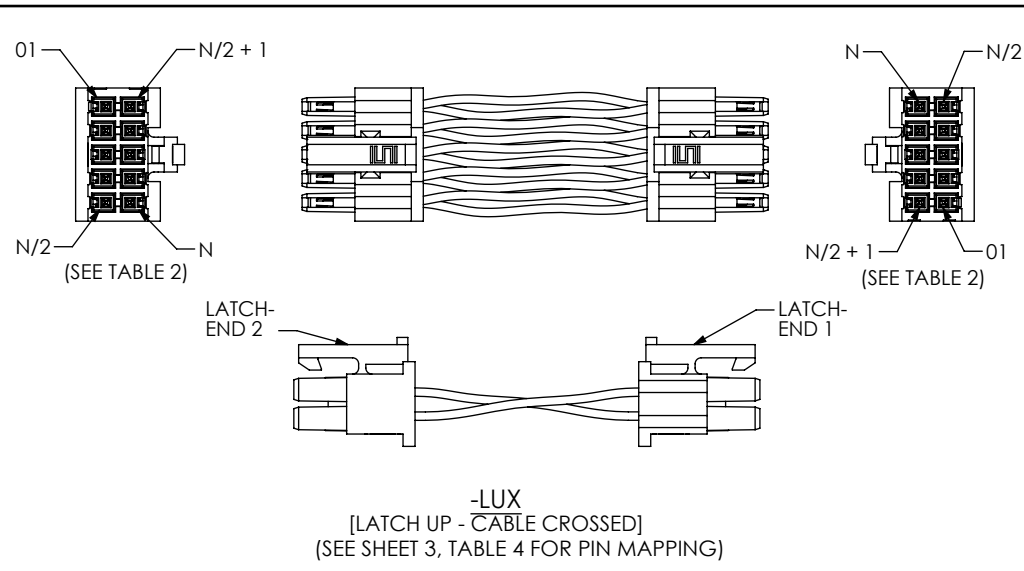
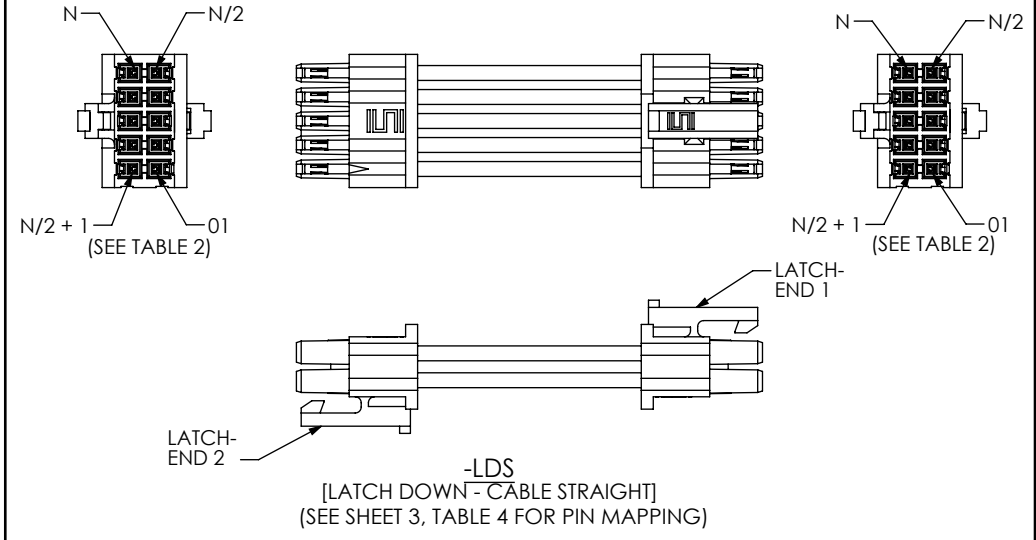
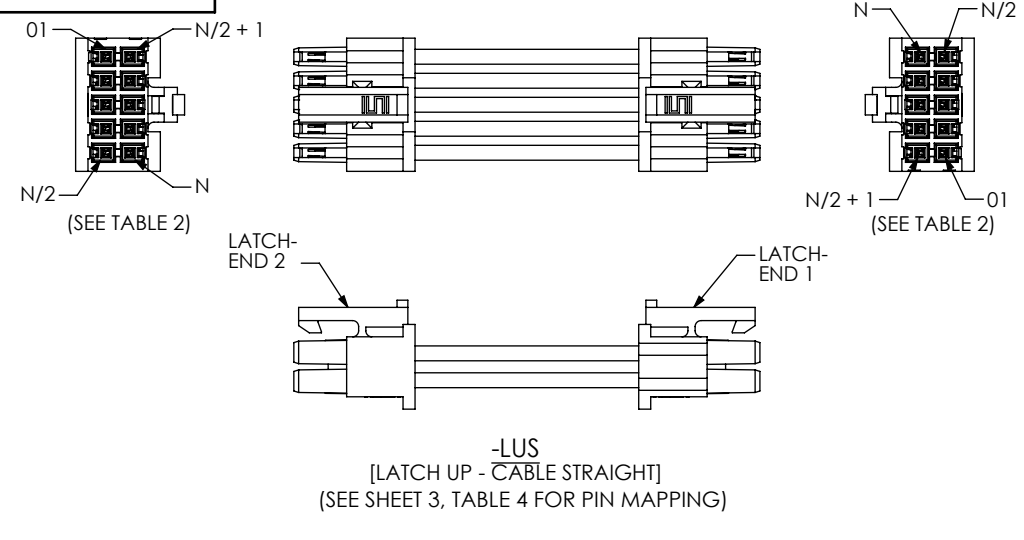
520 PARK EAST BLVD, NEW ALBANY, IN 47150
 PHONE: 812-944-6733 FAX: 812-948-5047
 e-Mail: info@SAMTEC.com code 55322

DESCRIPTION:
 .100[2.54] SOCKET DISCRETE CABLE ASSEMBLY

DWG. NO.
MMSDX-XX-XXX-X-XX.XX-X-X-XXX

BY: DEAN P 07/16/2004 SHEET 1 OF 3

REVISION AE



PROPRIETARY NOTE
THIS DOCUMENT CONTAINS INFORMATION CONFIDENTIAL AND PROPRIETARY TO SAMTEC, INC. AND SHALL NOT BE REPRODUCED OR TRANSFERRED TO OTHER DOCUMENTS OR DISCLOSED TO OTHERS OR USED FOR ANY PURPOSE OTHER THAN THAT WHICH IT WAS OBTAINED WITHOUT THE EXPRESSED WRITTEN CONSENT OF SAMTEC, INC.

DO NOT SCALE DRAWING

SHEET SCALE: 1:25:1

520 PARK EAST BLVD, NEW ALBANY, IN 47150
PHONE: 812-944-6733 FAX: 812-948-5047
e-Mail: info@SAMTEC.com code 55322

DESCRIPTION:
.100[2.54] SOCKET DISCRETE CABLE ASSEMBLY

DWG. NO.
MMSDX-XX-XXX-X-XX.XX-X-X-XXX

BY: DEAN P 07/16/2004 SHEET 2 OF 3

FIG 5
(MMSDX-06-XX-X-XX.XX-S-M SHOWN)
(SAME AS FIG 1, UNLESS OTHER WISE STATED)

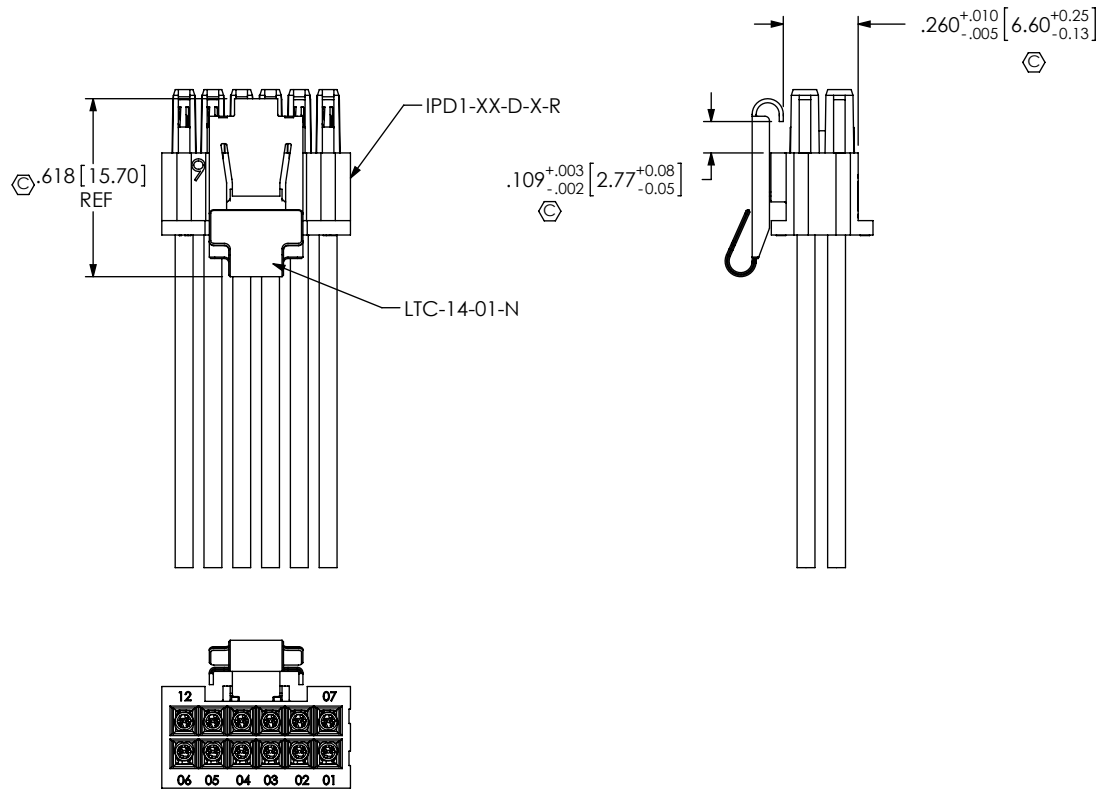


FIG 6
(MMSDX-06-XX-X-XX.XX-S-G SHOWN)
(NOT AVAILABLE WITH -LDS, -LUX, -P, -K OPTIONS)
(SAME AS FIG 1, UNLESS OTHER WISE STATED)

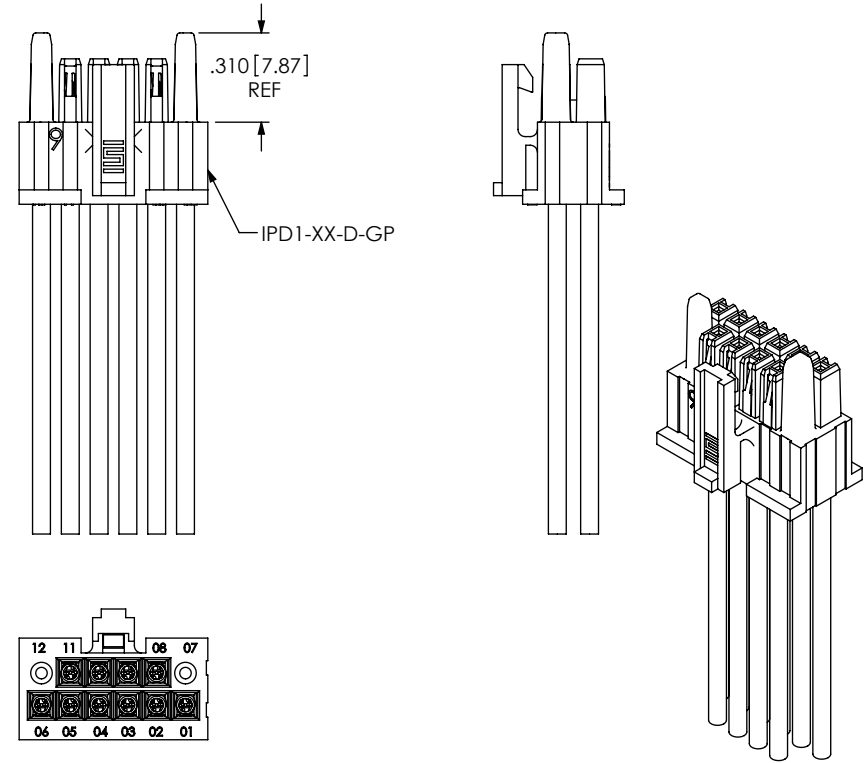


TABLE 3

MMSD COLOR CODED WIRE SEQUENCE

PIN#	COLOR									
	BROWN	RED	ORANGE	YELLOW	GREEN	BLUE	VIOLET	GRAY	WHITE	BLACK
1	2	3	4	5	6	7	8	9	10	
11	12	13	14	15	16	17	18	19	20	
21	22	23	24	25	26	27	28	29	30	
31	32	33	34	35	36	37	38	39	40	
41	42	43	44	45	46	47	48	49	50	

Table 4- Pin Mapping

End Option (Double)	END 1	END 2
-LUS	01	N/2
-LDS	01	N/2+1
-LUX	01	N
-LDX	01	01
-MUS	01	N/2
-MDS	01	N/2+1
-MUX	01	N
-MDX	01	01

TABLE 2

No. OF POSITIONS	N	N/2	N/2 + 1
-05	10	5	6
-07	14	7	8
-10	20	10	11
-15	30	15	16
-20	40	20	21
-25	50	25	26

CRITICAL DIMENSION INSPECTION INSTRUCTION TABLE

ASSEMBLY OPERATION	IN-PROCESS INSPECTION
CUT CABLE/STRIP	C5
CRIMP CONTACTS	C6
POKE CONTACTS	C1, C2, C3, C4
ASSEMBLE LTC-14-01-N	C7, C8, C9
E-TEST	C5

PROPRIETARY NOTE

THIS DOCUMENT CONTAINS INFORMATION CONFIDENTIAL AND PROPRIETARY TO SAMTEC, INC. AND SHALL NOT BE REPRODUCED OR TRANSFERRED TO OTHER DOCUMENTS OR DISCLOSED TO OTHERS OR USED FOR ANY PURPOSE OTHER THAN THAT WHICH IT WAS OBTAINED WITHOUT THE EXPRESSED WRITTEN CONSENT OF SAMTEC, INC.

DO NOT SCALE DRAWING

SHEET SCALE: 2:1



520 PARK EAST BLVD, NEW ALBANY, IN 47150
PHONE: 812-944-6733 FAX: 812-948-5047
e-Mail: info@SAMTEC.com code 55322

DESCRIPTION:
.100[2.54] SOCKET DISCRETE CABLE ASSEMBLY

DWG. NO.
MMSDX-XX-XXX-X-XX.XX-X-X-XXX

BY: DEAN P 07/16/2004 SHEET 3 OF 3

X-ON Electronics

Largest Supplier of Electrical and Electronic Components

Click to view similar products for [Ribbon Cables / IDC Cables](#) category:

Click to view products by [Samtec](#) manufacturer:

Other Similar products are found below :

[FSK-12A Ribbon Cable, 6 Pin, 500mm](#) [AWG28-10G EHV3C EHV4C EHV5C](#) [cab-LVDV-PWR-10-15 FSP-25A Ribbon Cable, 4 Pin, 350mm](#)
[Ribbon Cable, 6 Pin, 300mm](#) [cab-LVDV-DAT-34-15](#) [49635-C62-S2](#) [1-3636-600-5204](#) [92315-1408](#) [100063-0094](#) [100063-0106](#) [100063-0102](#)
[100063-0104](#) [MMSD-02-20C-F-15.00-S-K](#) [100063-0099](#) [100063-0105](#) [100063-0095](#) [100063-0103](#) [100063-0093](#) [100063-0091](#) [2200000068](#)
[100063-0092](#) [100063-0101](#) [100063-0100](#) [100063-0097](#) [TFSDT-08-28-H-15.00-S](#) [S1SD-02-30-GF-09.00-L](#) [MMSD-02-22C-F-15.00-S-K](#)
[S1SS-02-28C-GF-02.00-L](#) [S1SDT-02-28-GF-03.00-L](#) [2-1589735-3](#) [JSM015PP2DCC23N](#) [92301-0283](#) [TCSD-22-D-26.00-01](#) [S1SST-07-30-](#)
[GF-06.00-L](#) [T2SD-20-24-L-07.87-TR-NUS](#) [DS1057-01-44A282R-30.5](#) [FFSD-06-S-17.00-01-N](#) [IDSS-03-D-20.00-T](#) [TCMD-17-S-36.00-01-](#)
[SR](#) [92301-0718](#) [839023](#) [490107670612S](#) [MMSDT-06-20-S-05.5-D-K-LDX](#) [IDD-04-G](#)