

PHYSICAL DIMENSIONS:

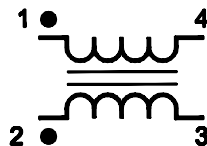
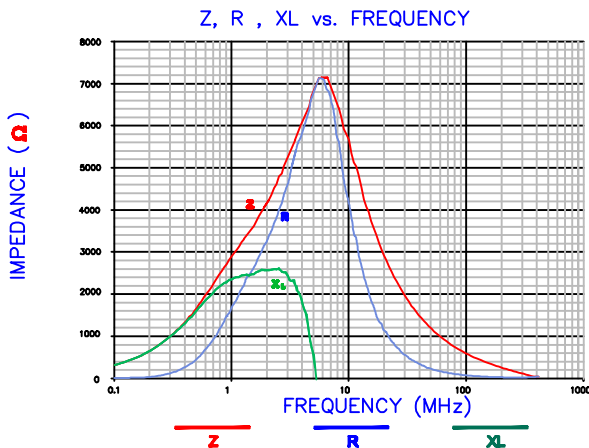
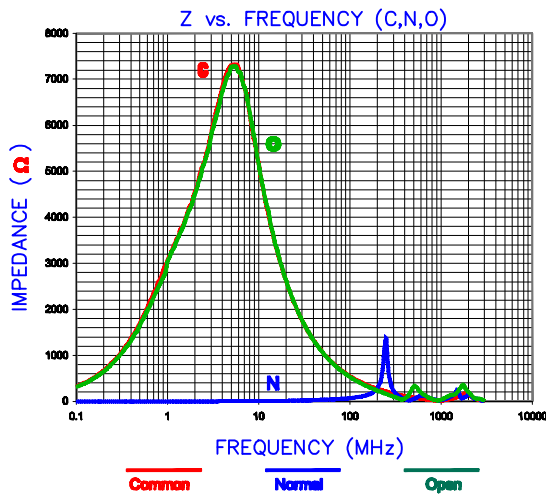
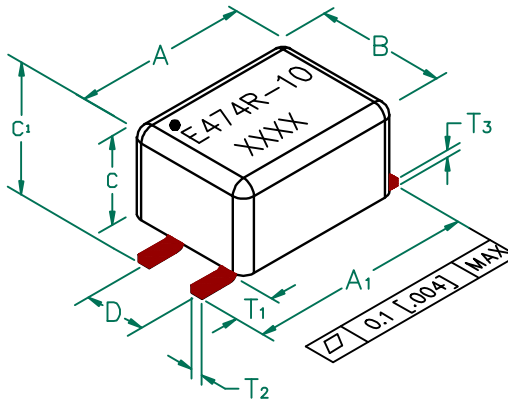
A	7.50	[.295]	+	MAX.
A ₁	9.00	[.354]	+	0.40 [.016]
B	5.50	[.217]	+	MAX.
C	3.80	[.150]	+	MAX.
C ₁	4.90	[.193]	+	MAX
D	2.54	[.100]	+	0.10 [.004]
T ₁	1.75	[.069]	+	TYP.
T ₂	0.50	[.020]	+	0.10 [.004]
T ₃	0.30	[.012]	+	0.10 [.004]

WEIGHT/1000 0.28 kgs [.62 Lbs]

CM2824E702R-10

ELECTRICAL SPECIFICATION @ 25°C
OPERATING TEMPERATURE RANGE: -40°C TO +125°C

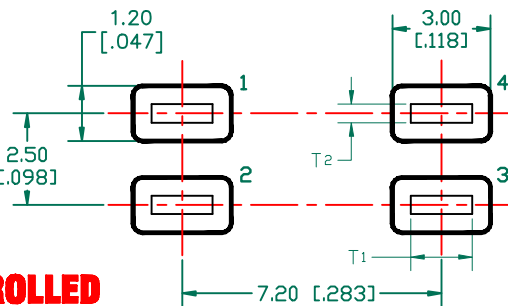
PARAMETER SYMBOL	REQUIREMENTS		
	MIN	TYP	MAX
Z SPEC @ 4 MHz	5,250	7,000	
DCR(Ω)			0.26
RATED CURRENT (mA)			700
RATED VOLTAGE (Vdc)			80



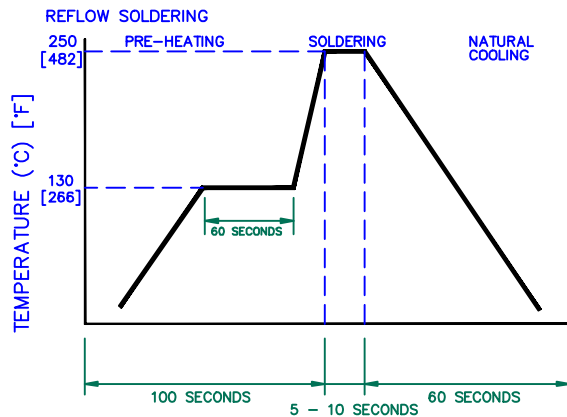
NOTES: UNLESS OTHERWISE SPECIFIED

1. TAPED AND REELED ON 13" REELS, 1500 PCS/REEL.
2. OPEN BOTTOM CONSTRUCTION.
3. COMPONENTS SHOULD BE ADEQUATELY PREHEATED BEFORE SOLDERING.

LAND PATTERNS FOR REFLOW SOLDERING



RECOMMENDED SOLDERING CONDITIONS



UNCONTROLLED DOCUMENT



AGILENT E4991A RF Impedance/Material Analyzer
HP 16194A Test Fixture. TEST REF. 5366

DIMENSIONS ARE IN mm [INCHES]				This print is the property of Laird Tech. and is loaned in confidence subject to return upon request and with the understanding that no copies shall be made without the written consent of Laird Tech. All rights to design or invention are reserved.			
E	ADD RATING VOLTAGE	07/25/13	QIU	PROJECT/PART NUMBER: CM2824E702R-10	REV	PART TYPE:	DRAWN BY:
D	CHANGE THE OPERATING TEMPERATURE AND REMOVE INPEDANCE UPPER SPEC	01/29/10	JUN		E	ASSEMBLY	JRK
C	UPDATE COMPANY LOGO	05/07/09	JRK		DATE:	SCALE:	SHEET:
B	UPDATE COMPANY LOGO	11/21/07	JRK		05/16/06	NTS	
A	ORIGINAL DRAFT	05/16/06	JRK		CAD #	TOOL #	
REV	DESCRIPTION	DATE	INT	CM2824E702R-10-E			1 of 1



X-ON Electronics

Largest Supplier of Electrical and Electronic Components

Click to view similar products for [Common Mode Chokes / Filters](#) category:

Click to view products by [Laird Connectivity](#) manufacturer:

Other Similar products are found below :

[RGCMF1210900H3T](#) [B82722A2102N001](#) [UAL21V07012500](#) [UAL24VR06500CH](#) [UALSC0220G0000](#) [UALSC058000000](#)
[UALSC0580J0000](#) [UALSC1520JH000](#) [UALSU10VR15019](#) [UALSU10VR20010](#) [UALSU16VD30030](#) [UALSU16VD40010](#)
[UALSU9H0305000](#) [UALSU9HF030600](#) [UALSU9HF060300](#) [UALSU9HR050340](#) [UALSU9VD070100](#) [UALSU9VR070170](#) [5701610000](#)
[CM7060M132R-10](#) [UALW21HS200290](#) [UALW21HS072450](#) [UALSU9VD070400](#) [UALSU9V0701000](#) [UALSU9HR030900](#)
[UALSU9HF050500](#) [UALSU9H0701000](#) [UALSU9H0208000](#) [UALSU9H0110000](#) [UALSCF25081300](#) [UALSC0305GS000](#)
[UALSC0120G0000](#) [UAL24VK06450CH](#) [UAL11VL1105000](#) [RN112-3.6-02-0M4](#) [RN114-1.2-02-10M](#) [RN122-0.6-02-47M](#) [RN122-3-02-4M5](#)
[RN142-1-02-33M](#) [RN214-2.5-02-3M3](#) [RN112-2-02-1M0](#) [RN143-6-02-1M8](#) [RN214-0.8-02-27M](#) [RN242-1.4-02-27M](#) [EXC-X4CH120X](#)
[DLW5BTM102TQ2L](#) [CMF16-153131](#) [CMF23H-273141](#) [744252510](#) [B82793C0253N201](#)