

Max. 117 m<sup>3</sup>/h

# DC axial fans

□ 80 x 25 mm



- **Material:** Housing: GRP<sup>1)</sup> (PBT)  
Impeller: GRP<sup>1)</sup> (PA)
  - **Direction of air flow:** Exhaust over struts
  - **Direction of rotation:** Counterclockwise, looking towards rotor
  - **Connection:** Via single wires AWG 24, TR 64
  - **Highlights:** Very low-noise motor
  - **Weight:** 105 g
- **Possible special versions:** (See chapter DC fans - specials)
    - Speed signal
    - Go / NoGo alarm
    - Alarm with speed limit
    - External temperature sensor
    - Internal temperature sensor
    - PWM control input
    - Analog control input
    - Moisture protection

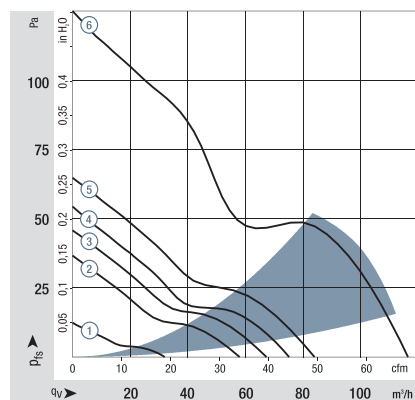
1) Fiberglass-reinforced plastic

Series 8450

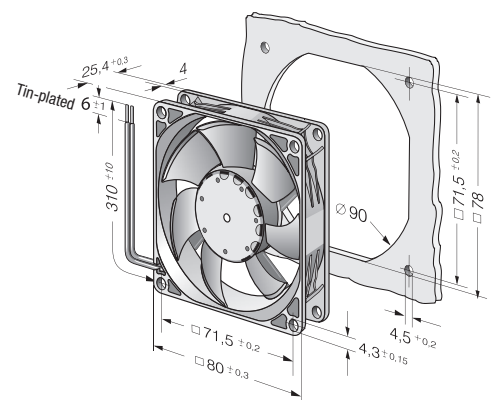
## Nominal data

Type	Air flow		Nominal voltage	Voltage range	Sound pressure level	Sound power level	Sinter sleeve bearings Ball bearings	Power consumption	Nominal speed	Temperature range	Service life L <sub>10</sub> (40 °C) ebm-papst standard	Service life L <sub>10</sub> (T <sub>max</sub> ) ebm-papst standard	Life expectancy L <sub>10</sub> (IPC (40 °C) see page 17	Curve
	m <sup>3</sup> /h	cfm												
8452 GL	32	18.8	12	8...15	14	3.3	□	0.4	1 700	-20...75	80 000 / 35 000		135 000	①
8452 GM	58	34.1	12	8...15	32	4.7	□	1.3	3 100	-20...75	80 000 / 35 000		135 000	②
8452 GN	68	40.0	12	8...15	36	5.0	□	1.8	3 600	-20...70	70 000 / 35 000		117 500	③
Models with 25 kHz PWM control and speed signal to 4-wire specification (see page 179).														
8452/2 GHP	75	44.1	12	10.8...13.2	38	5.3	□	2.5	4 000	-20...70	70 000 / 35 000		117 500	④
8452/2 GHHP	83	48.8	12	10.8...13.2	42	5.5	□	3.5	4 400	-20...60	65 000 / 40 000		110 000	⑤
Models with 1-30 kHz PWM control and speed signal.														
8452/2 H4P	117	68.8	12	8...15	50	6.4	■	6.8	6 200	-20...70	60 000 / 30 000		102 500	⑥
8454/2 H4P	117	68.8	24	20.0...26.4	50	6.4	■	6.8	6 200	-20...70	60 000 / 30 000		102 500	⑥

Subject to change



Air performance measured according to: ISO 5801.  
Installation category A, without contact protection.  
Noise: Total sound power level L<sub>WA</sub> ISO 103002 measured on a hemisphere with a radius of 2 m.  
Sound pressure level L<sub>pA</sub> measured at 1 m distance from fan axis.  
The values given are applicable only under the specified measuring conditions and may differ depending on the installation conditions.  
In the event of deviation from the standard configuration, the parameters must be checked after installation!  
For detailed information see <http://www.ebmpapst.com/general conditions>



## X-ON Electronics

Largest Supplier of Electrical and Electronic Components

*Click to view similar products for [DC Fans](#) category:*

*Click to view products by [ebm papst](#) manufacturer:*

Other Similar products are found below :

[614R](#) [6424/2HP-210](#) [8312R](#) [DV4118/2NP-183](#) [AFB0948HH-S687](#) [PFB0824DHE-8B72](#) [G2E085-AA05-10](#) [RD20S-4/210660](#) [4318/12T](#)  
[4418HH](#) [AUB0912H-F00](#) [3412N/2ME](#) [K2E225-RA92-09](#) [4184N/2XR](#) [5214N2HH](#) [614J2HHPR-010](#) [8412NGL-12](#) [4114N/12HHR-297](#)  
[4656](#) [ZWR-903](#) [4112N12GL-175](#) [KD2406PKB2.\(2\).GN](#) [AFB1248HHE](#) [AFB1212LE-F00](#) [FAN-SCH-1](#) [MF60151V1-1000U-G99](#)  
[PF80252V1-1000U-G99](#) [PF92252V1-1000U-G99](#) [4112N/2H6P](#) [4114N/17-251](#) [6212NH](#) [622/2N](#) [712F-011](#) [8218J/2NP-181](#) [W1G180-AB47-](#)  
[15](#) [FAA1-12038NBKW31-A](#) [6318N/2TDP](#) [6318N/2H3PU](#) [6318HU](#) [424JMU](#) [PMD1206PTVX-A.U.GN](#) [PF80251B2-000U-F99](#)  
[EF40101BX-1000U-G99](#) [AD1224LB-A71GL](#) [9GA0924L4021](#) [9GA0924M4021](#) [9GA0924M4011](#) [9GA0824B20011](#) [9GA0812A2D0011](#)  
[9GA0912M4D011](#) [9GA0924W4D01](#)