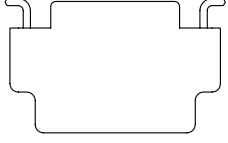
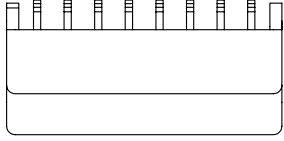
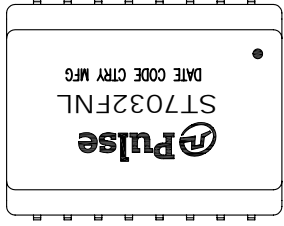




NOTES:

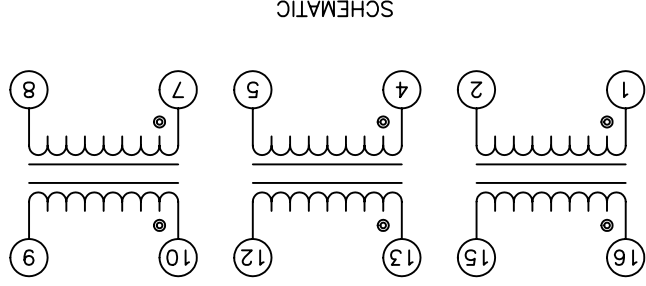
1. ROHS COMPLIANT
2. HEADER: PHENOLIC WITH FLAMMABILITY RATING UL 94V-0 OR BETTER.
3. STORAGE TEMPERATURE: -20°C TO +125°C
4. COMPLIANCE TO J-STD:
  - A. J-STD-002: SOLDERABILITY AT 245°C REFLOW PROFILE
  - B. J-STD-020: LEVEL 1, NO MOISTURE SENSITIVE
  - C. J-STD-075: R7, 245°C MAXIMUM THROUGH REFLOW SOLDER
5. TO ORDER TAPE & REEL PACKAGING ADD A "T" SUFFIX TO THE PART NUMBER (i.e. ST7032FNL BECOMES ST7032FNLT).



FINAL OUTLINE

| PRODUCT DESCRIPTION    | TLA DRAWING  | PS DRAWING    | SHEET  | PART NO.  | DATASHEET REV. |
|------------------------|--------------|---------------|--------|-----------|----------------|
| XFMR,SIN,10D,1:1,SM,TU | ST7032FNL-10 | PS-2755.001-A | 1 OF 3 | ST7032FNL | A              |

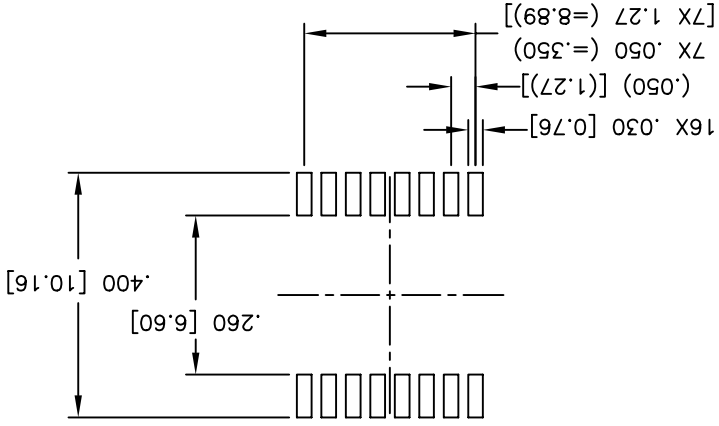
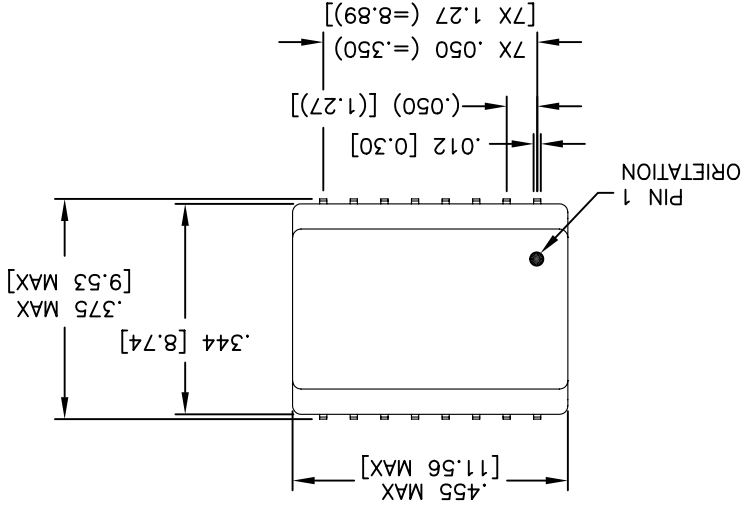
© Copyright, 2014. Pulse Electronics Corp. All rights reserved. Pulse confidential & proprietary. (06/11/14)



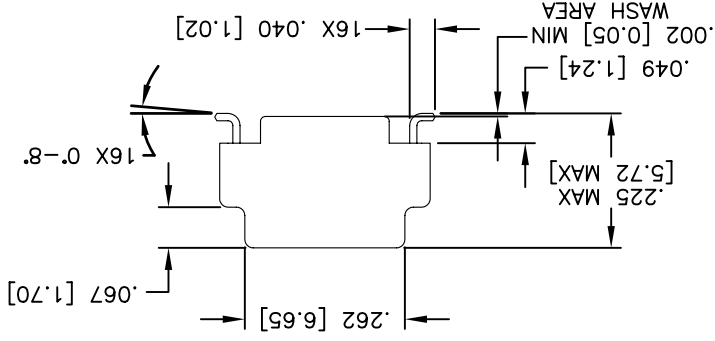
| PARAMETER                      | SPECIFICATIONS                 |
|--------------------------------|--------------------------------|
| OPERATING TEMPERATURE          | 0°C ~ +70°C                    |
| POLARITY                       | PER SCHEMATIC                  |
| TURNS RATIO                    | 1 : 1 ± 5%                     |
| INDUCTANCE (OCL)               | 67 uH MIN (AT 5 mVRMS, 10 KHZ) |
| CAPACITANCE WINDING TO WINDING | 10 pF MAX (AT 140 KHZ)         |
| DC RESISTANCE (EACH WINDING)   | 0.3 OHMS MAX                   |
| LEAKAGE INDUCTANCE             | 0.25 uH MAX AT 1 MHZ MIN.      |
| INPUT - OUTPUT ISOLATION       | 1500 VRMS FOR 60 SECONDS       |

ELECTRICAL CHARACTERISTICS AT +25°C UNLESS OTHER SPECIFIED

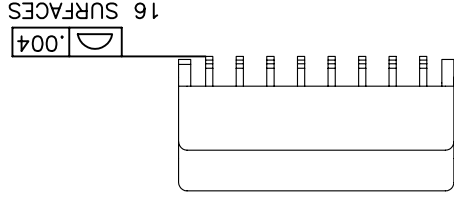
| PRODUCT DESCRIPTION    | TLA DRAWING  | PS DRAWING    | SHEET  | PART NO.  | DATASHEET REV. |
|------------------------|--------------|---------------|--------|-----------|----------------|
| XFMR,SIN,10D,1:1,SM,TU | ST7032FNL-10 | PS-2755.001-A | 2 OF 3 | ST7032FNL | A              |



SUGGESTED LAND PATTERN



DIMENSIONS ARE IN INCHES [MILLIMETERS] WITH THE FOLLOWING TOLERANCES: [MILLIMETERS] ARE FOR REFERENCE ONLY.  
 .XX = ±.01 [±0.25]  
 .XXX = ±.005 [±0.13]



© Copyright, 2014, Pulse Electronics Corp. All rights reserved. Pulse confidential & proprietary. (06/11/14)

|                        |              |               |        |           |                 |
|------------------------|--------------|---------------|--------|-----------|-----------------|
| PRODUCT DESCRIPTION    | TLA DRAWING  | PS DRAWING    | SHEET  | PART NO.  | DATA SHEET REV. |
| XFMR,SIN,10D,1:1,SM,TU | ST7032FNL-10 | PS-2755.001-A | 3 OF 3 | ST7032FNL | A               |

## X-ON Electronics

Largest Supplier of Electrical and Electronic Components

*Click to view similar products for [Audio Transformers](#) / [Signal Transformers](#) category:*

*Click to view products by [Pulse manufacturer](#):*

Other Similar products are found below :

[749023020](#) [CU4S0506AT-2655-H1](#) [MET-58](#) [PE-64961](#) [H5008FNL](#) [H5020FNLT](#) [H5079NLT](#) [1879479-1](#) [1879564-1](#) [PA1277NLT](#)  
[PA1528ANL](#) [PA2007NLT](#) [FL1066](#) [T1137NLT](#) [T3012NL](#) [PE-65812FNL](#) [TTC-100](#) [TTC-143-H](#) [TTC-5032-1](#) [HX1234NLT](#) [HX5008FNLT](#)  
[100B-1001XNL](#) [PA1282NLT](#) [HX5084FNL](#) [T1108NLT](#) [2-1879391-5](#) [TTC-266-2](#) [3-1879385-4](#) [PA1032NL](#) [H2009FNLT](#) [PA0801NLT](#)  
[TTC-266](#) [X-1619](#) [SM51295PEL](#) [T5008NLT](#) [PE-68517T](#) [HX1294NLT](#) [HX5084FNLT](#) [H5015FNLT](#) [H6080NLT](#) [CX2024NL](#) [HX1294FNLT](#)  
[TX1473NLT](#) [PE-69011NLT](#) [CX2047LNLT](#) [CX2043LNLT](#) [DCT20EFD-U32S003](#) [H5120NLT](#) [H7137FNLT](#) [H1259NLT](#)