

DETAILS

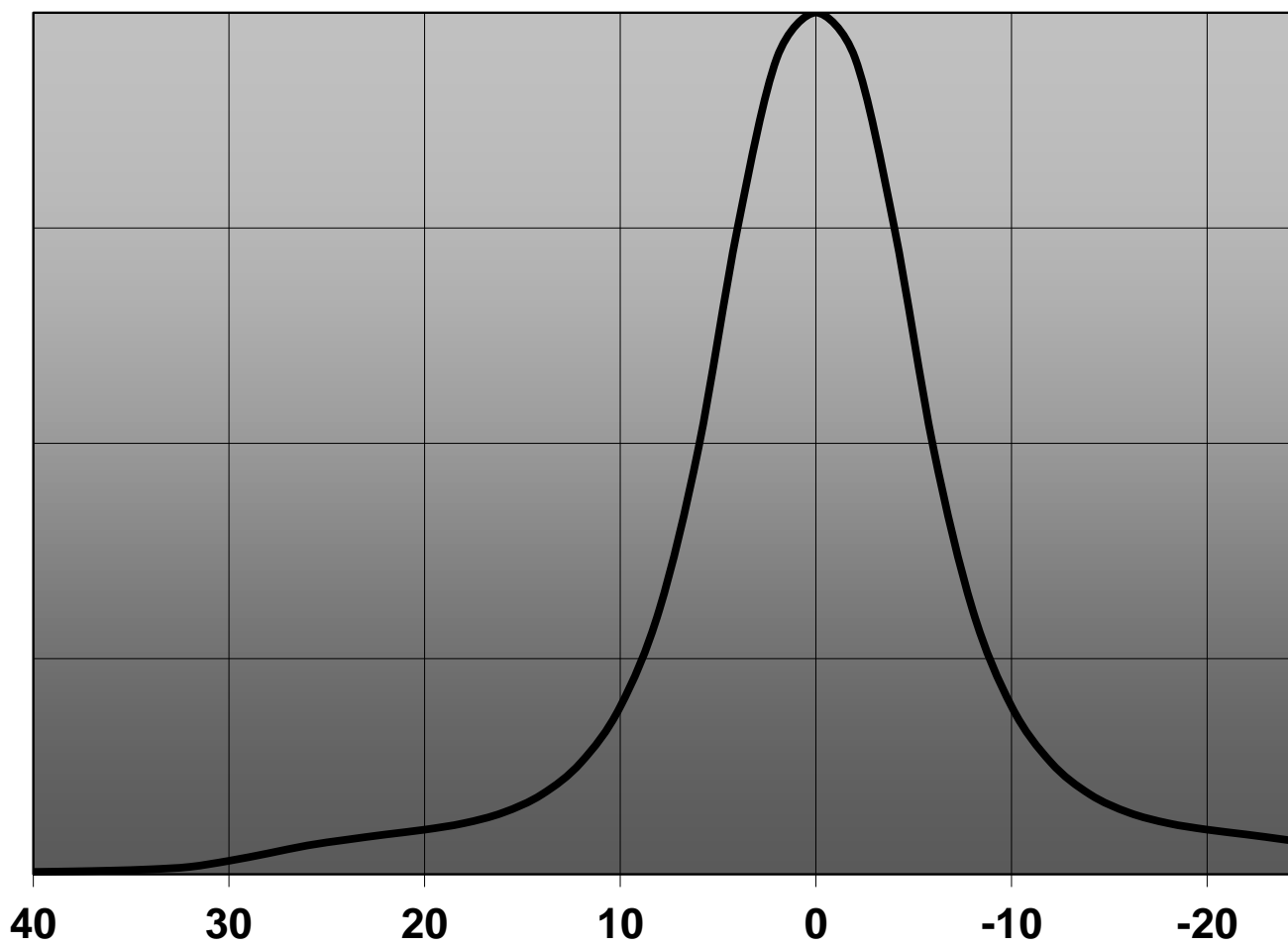
Ordering Number	CN12718_LENA-S-DL
Family	Lena
Type	Pack
Color	metal
Diameter	111 mm
Height	85,4 mm
Style	round
Optic Material	PC
Holder Material	PC
Fastening	screw
Status	ready
ROHS Compliant	Yes
Date Updated	5/07/2012



OPTICAL PROPERTIES

LED	Viewing Angle	Light Beam	Efficiency	cd/lm
CLL030	12 degrees		83 %	(simulated) 0.000
ZC12/18	12 degrees		80 %	8.000
STARK SLE PURE G3 LES17	14 degrees		80 %	6.930

Relative intensity of CN12718_LENA-S-DL (CLL)



D

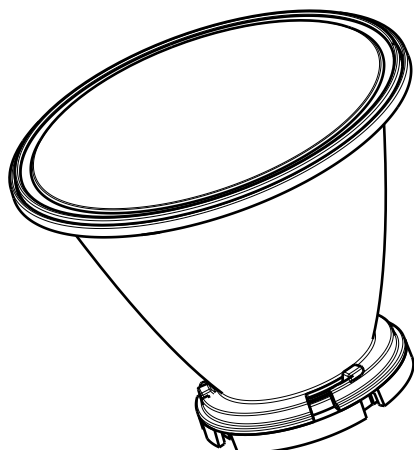
C

B

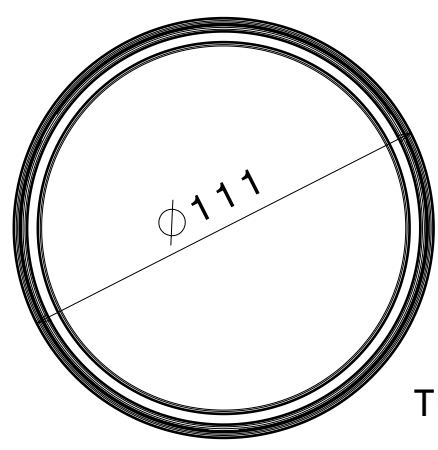
A

4

4



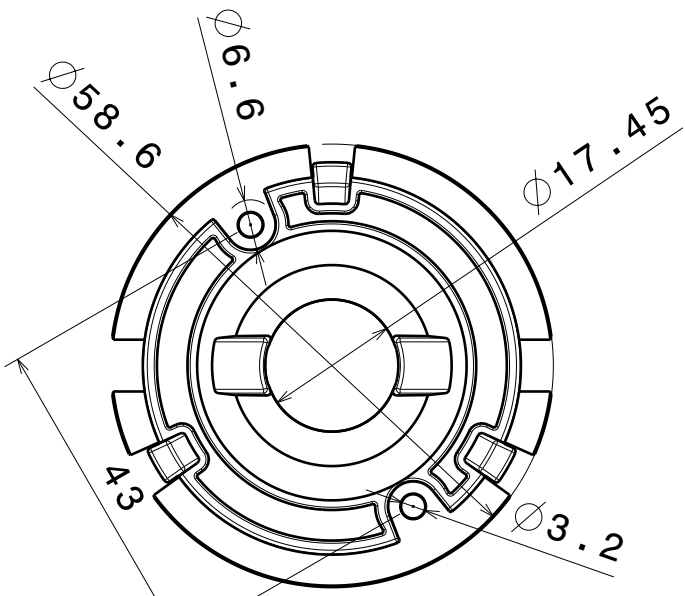
Isometric view



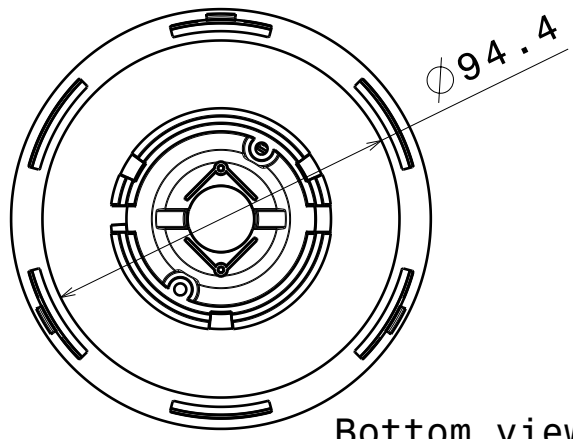
Top view

3

3



Front view
Scale: 1:1



Bottom view

2

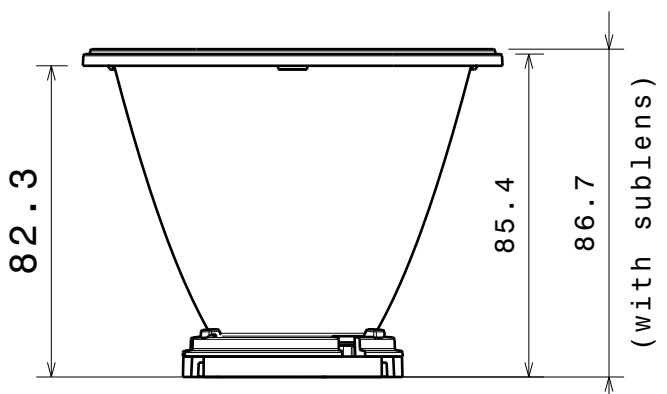
2

Material:

subLens
- PMMA

Reflector
- PC
- Metal coating and clear lacquer

Holder base
- PC
- Color white



Front view

This drawing is our property. It can't be reproduced or communicated without our written agreement.



L
S
F
F

e
i
i

N
n

DRAWING TITLE

Datasheet Lena-CLL030 series Assy

1

1

DRAWN BY
ca

DATE
10.04.2012

CHECKED BY

DATE

SIZE
A4

DRAWING NUMBER

REV
1

DESIGNED BY
pl

DATE
15.03.2012

SCALE 1:2

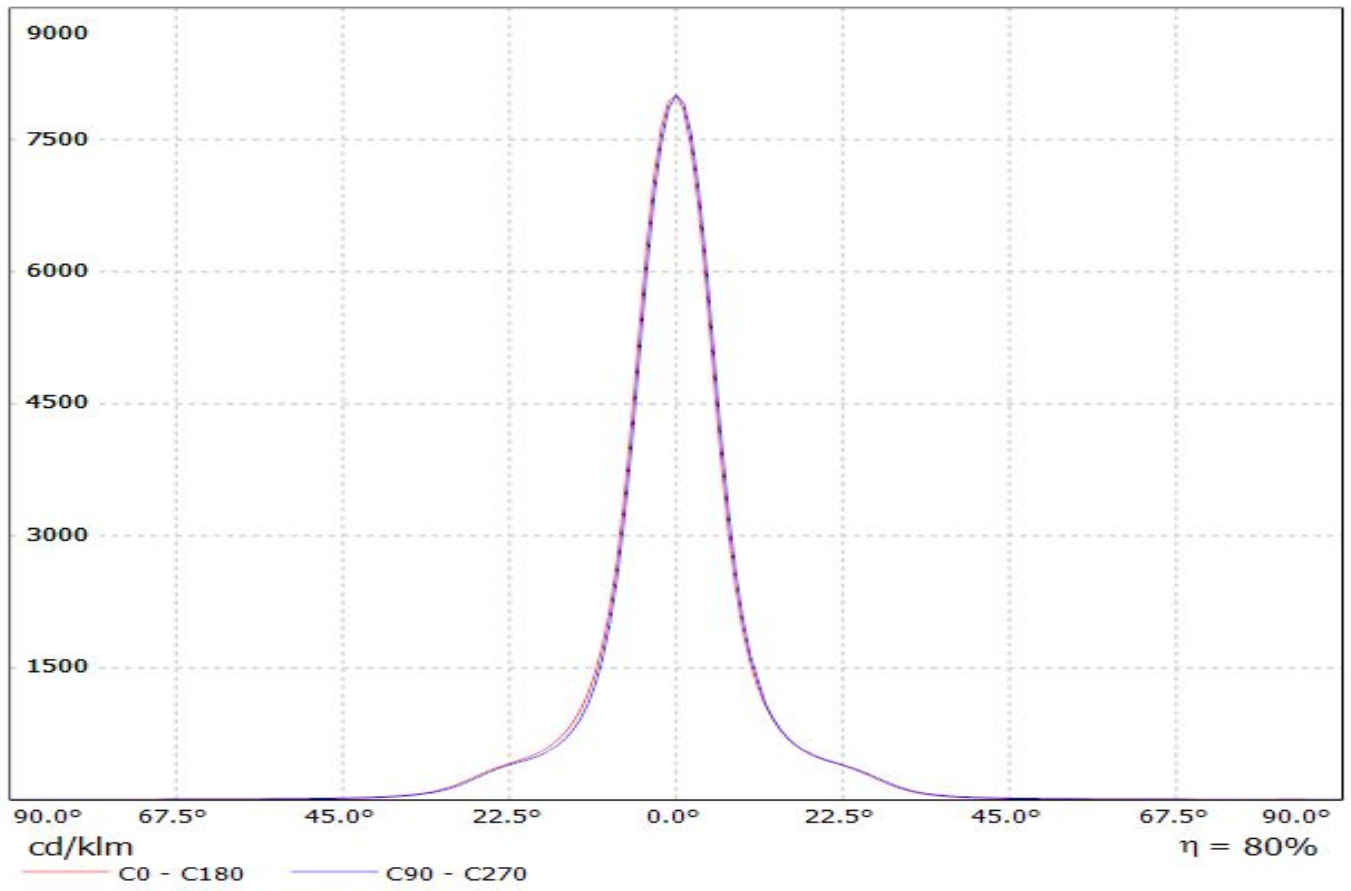
WEIGHT (g)

SHEET 1/1

D

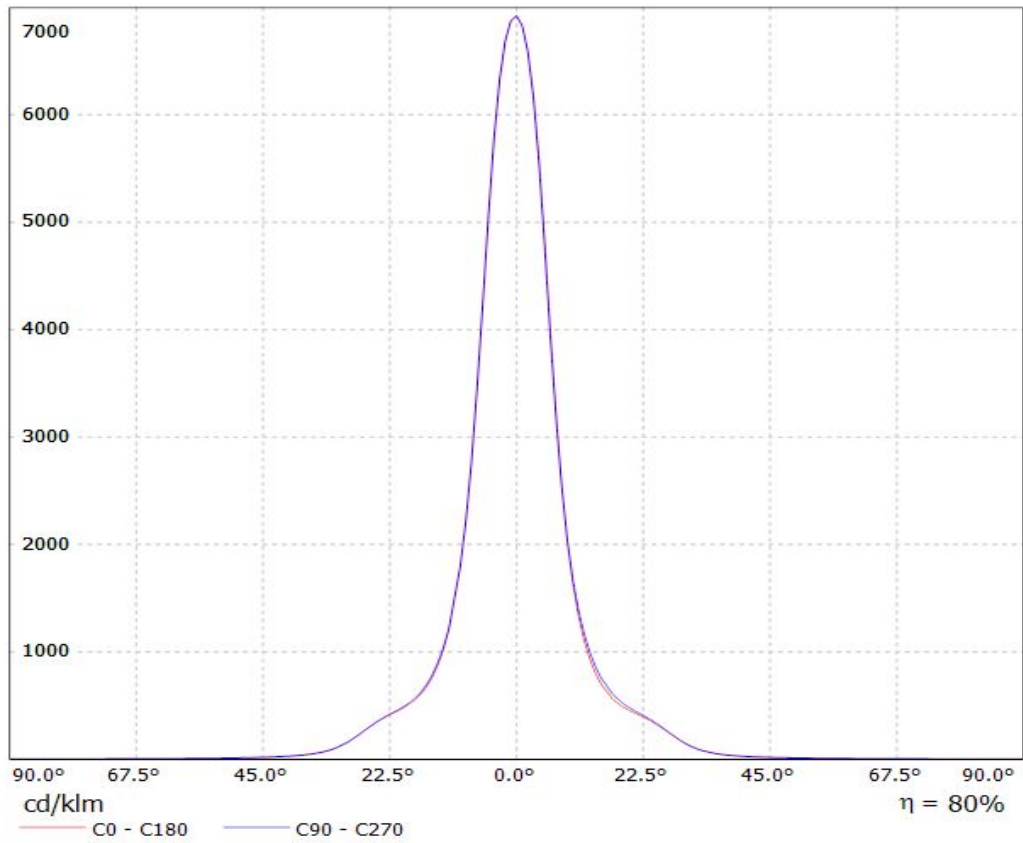
A

Luminaire: LEDiL Oy CN12718_LENA-S-DL_(ZC12) Eff.79.9%
Lamps: 1 x SEOUL_ZC12_(SDW82F1C)_1209.83lm@250mA_CCT=3000K_P=8.64658W_I=249.8mA



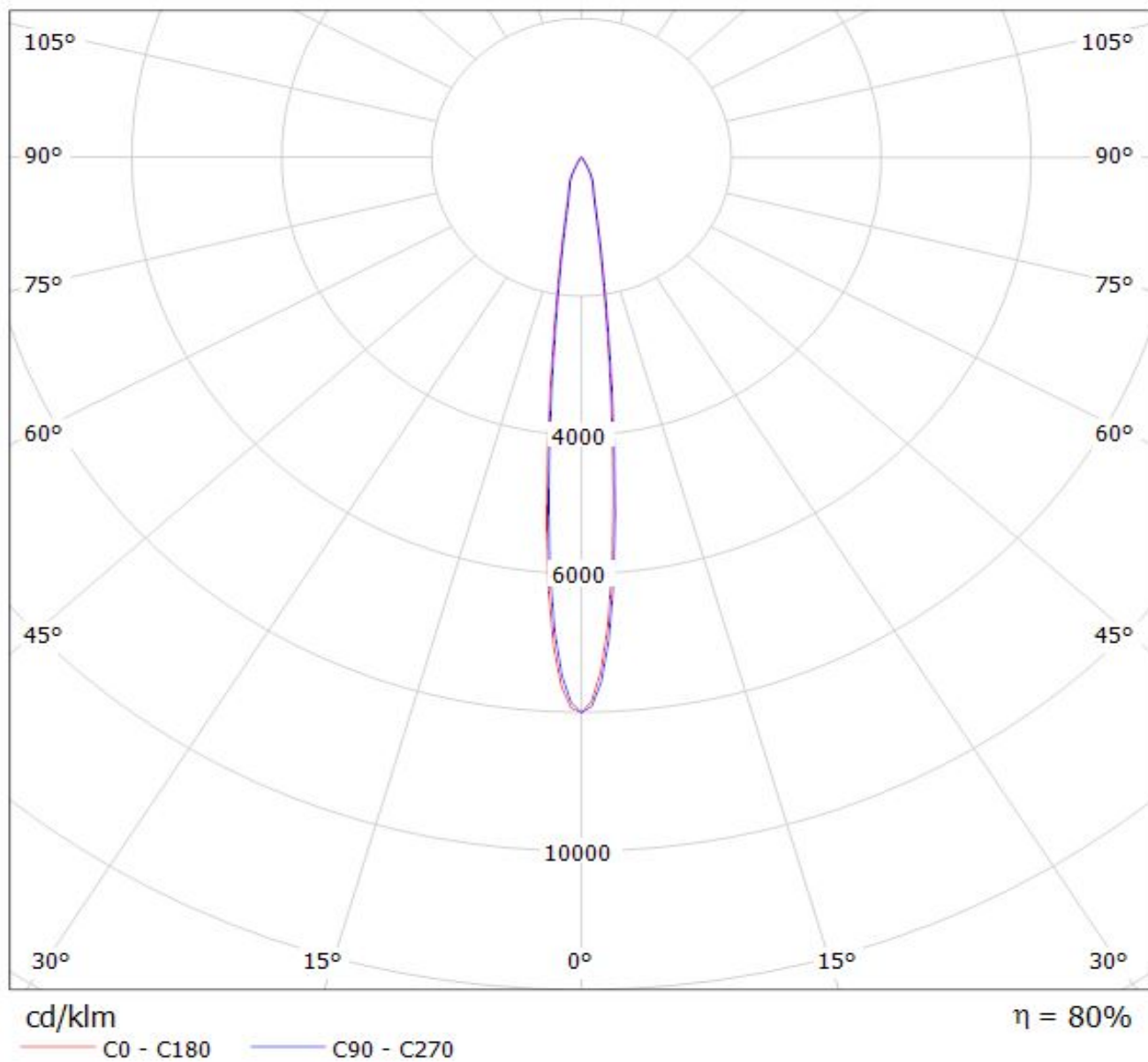
Luminaire: LEDiL Oy CN12718_LENA-S-DL (SLE_G3_LES17) Eff 80.2%

Lamps: 1 x TRIDONIC_STARK_SLE_G3_LES17_(STARK-SLE-PURE_G3-17-2000-840-CLA)_1011.62lm@250mA_P=8.29243W_I=249.9mA



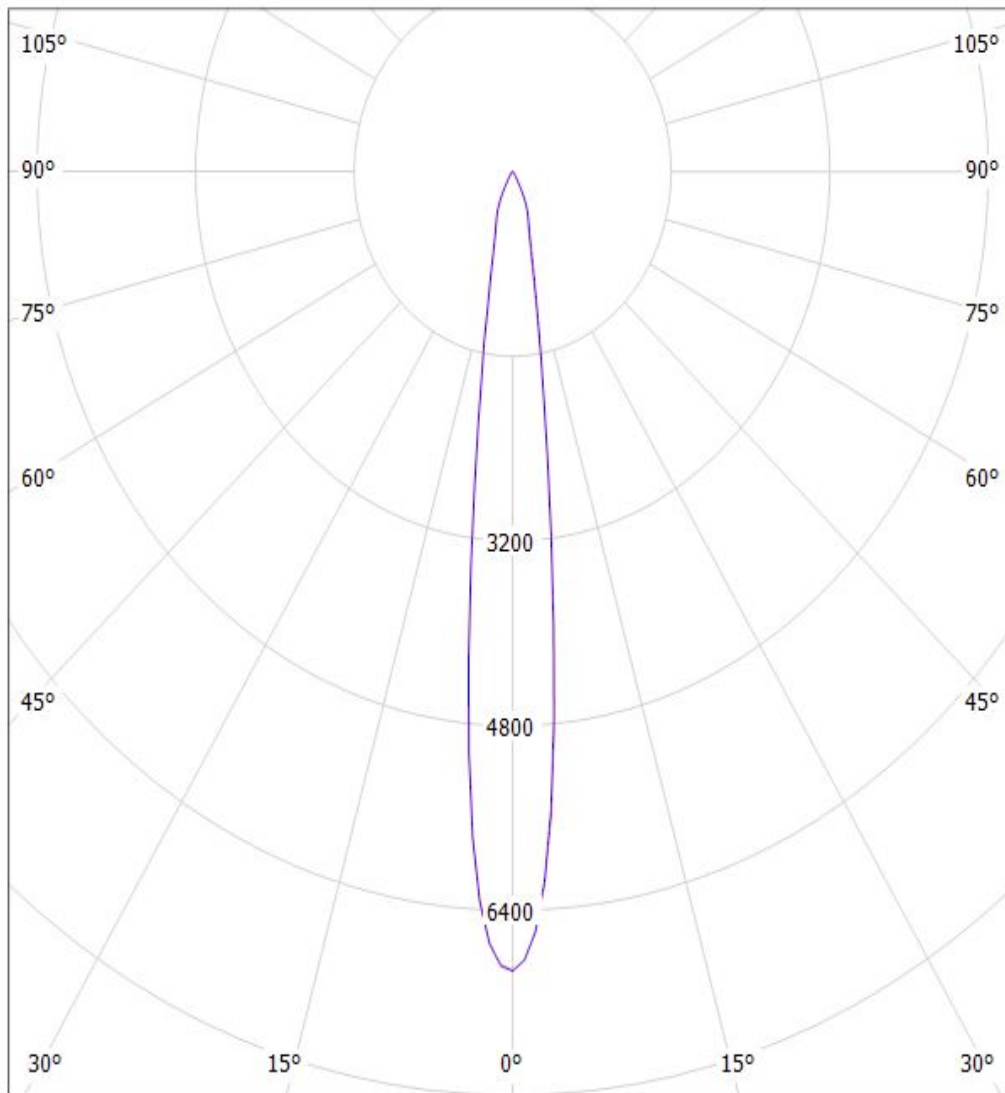
Luminaire: LEDiL Oy CN12718_LENA-S-DL_(ZC12) Eff.79.9%

Lamps: 1 x SEOUL_ZC12_(SDW82F1C)_1209.83lm@250mA_CCT=3000K_P=8.64658W_I=249.8mA



Luminaire: LEDiL Oy CN12718_LENA-S-DL_(SLE_G3_LES17) Eff.80.2%

Lamps: 1 x TRIDONIC_STARK_SLE_G3_LES17_(STARK-SLE-PURE_G3-17-2000-840-CLA)_1011.62lm@250mA_P=8.29243W_I=249.9mA



cd/klm

$\eta = 80\%$

— C0 - C180 — C90 - C270

NOTE: The typical divergence will be changed by different color, chip size and chip position tolerance. The typical total divergence is the full angle measured where the luminous intensity is half of the peak value.

GENERAL INFORMATION

- Product series especially designed & optimized for series of LEDs.
- Special care taken to make light distribution as uniform as possible.
- Reflector is made of aluminium coated PC (120 degrees of Celcius / 248 degrees of Fahrenheit) with protective lacquer (110 degrees of Celcius / 230 degrees of Fahrenheit).

X-ON Electronics

Largest Supplier of Electrical and Electronic Components

Click to view similar products for [LED Lighting Lenses](#) category:

Click to view products by [Ledil](#) manufacturer:

Other Similar products are found below :

[LL01ED-AK40L06](#) [LL01ZZ-EX25L06-M2](#) [180182-0000](#) [FNP-N2-N083-0R NRW](#) [LL01ED-ALI55R49](#) [0190535300](#) [0410111300](#)
[0510113303](#) [0530997](#) [2710121](#) [C11004_TINA2-RS](#) [C12231_LENA-FRESNEL-LENS](#) [LL01ED-AKY24R49](#) [LL01CR-AYG15R49](#)
[LL01CR-OT32L06-M2](#) [LL01ZZ-AAA24L49](#) [LL01CR-CEN38L02](#) [LL01ZZ-AAA55L49](#) [LL01CR-AYG24R49](#) [LL01A00CZMB2-M2](#)
[LL01ED-AKY38R49](#) [LL01CR-CNE2545L06-M2](#) [LL01ZZ-AAA38L49](#) [LL01ED-AKV36R49](#) [LL01ED-ALI24R49](#) [LL01CR-AYG38R49](#)
[FN15973_RONDA-REC-60-C](#) [F16859_LINDA-ZT25](#) [C14169_LENA-CLEAR-LENS](#) [C16125_OLGA-W](#) [C17410_SPORT-2X2-FT6](#)
[C17414_SPORT-2X2-S6](#) [C17409_SPORT-2X2-FT6W](#) [C17360_SPORT-2X2-FT60](#) [C17434_ILONA-WW](#) [F16636_LINDA-W60](#) [10003](#)
[10003/15](#) [10048](#) [10049](#) [10108](#) [CP10960_RGBX-SS](#) [CP12395_LXP3-W](#) [10415](#) [10510](#) [1-1000288-0](#) [F14487_FLORENCE-1R-MAXI-WG](#)
[12667](#) [C14165_STRADA-2X2-ME-WIDE2](#) [C14605_HB-2X2-RW](#)