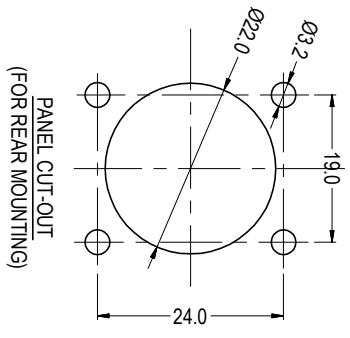
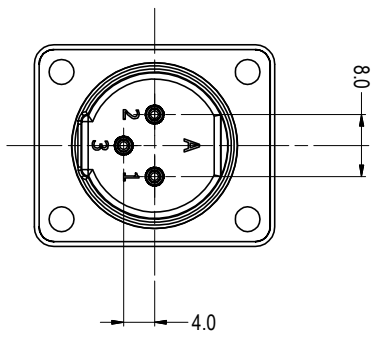
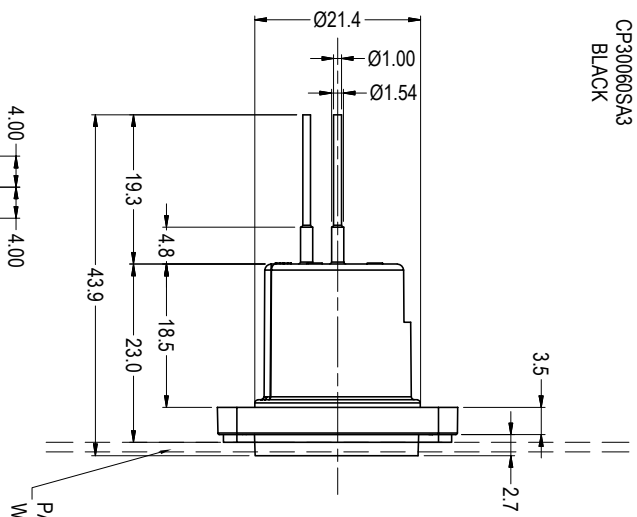


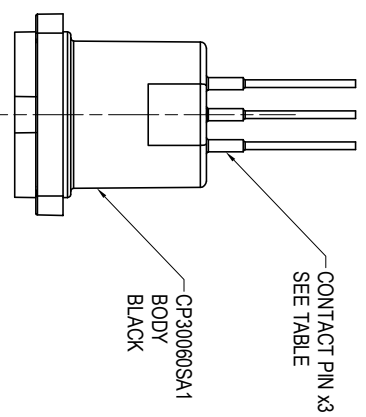
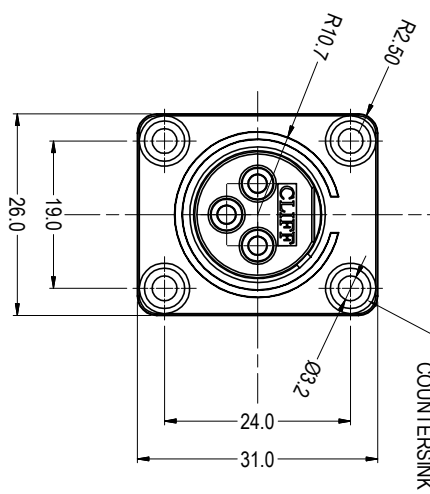
SUPPLIED WITH SEAL
CP30060SA3
BLACK



PANEL CUT-OUT
(FOR REAR MOUNTING)



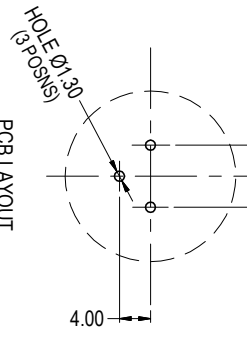
PANEL POSITION
WHEN REAR MOUNTED



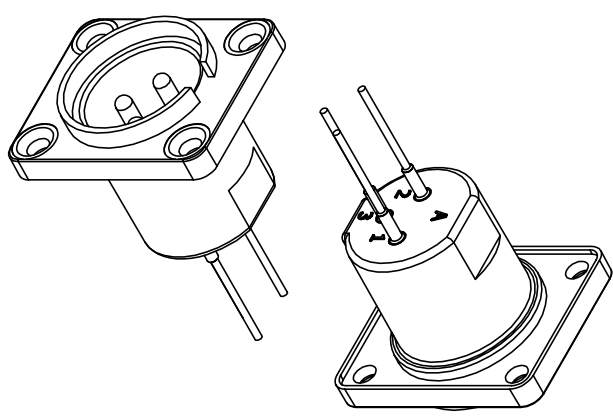
CONTACT PIN X3
SEE TABLE

CP30060SA1
BODY
BLACK

| PART NUMBER | PIN TYPE | PIN PART NO. |
|-------------|---------------|--------------|
| CP30061 | GOLD PLATED | CP30061SA2 |
| CP30061S | SILVER PLATED | CP30061SA2S |



PCB LAYOUT



| REV. | REVISION | DATE |
|------|----------|------------|
| 1 | ISSUED | 05/11/2012 |

ROHS
COMPLIANT

TOLERANCE
NOD. DEC. PLACE ±
1 DEC. PLACE ±
2 DEC. PLACE ±
HOLE Ø ±
ANGLES ±
UNLESS
OTHERWISE STATED

DO NOT SCALE

Cliff Electronic Components Ltd.

76 Holmehorne Avenue, Holmehorne Industrial Estate,
Redhill, Surrey, RH1 2PF, England, UK
Tel: 01737-771315 Fax: 01737-766012 Website: www.cliffuk.co.uk

THE CONTENTS OF THIS DOCUMENT MUST NOT BE COPIED OR DISCLOSED
TO A 3rd PARTY WITHOUT WRITTEN PERMISSION OF CLIFF UK © 2012

DIMENSIONS IN MILLIMETERS UNLESS OTHERWISE STATED. WORK TO DIMENSIONS. REMOVE ALL BURRS. IF IN DOUBT ASK.
MATERIAL: SEE PART DRAWINGS
FINISH: SEE PART DRAWINGS
DRAWN: NJB

APPROVED: DPJ

TITLE: AIR-TIGHT 3-PIN MALE PCB XLR SOCKET
3rd ANGLE PROJECTION:

DRWG. No. CP 30061

FORM: ADDRWC

X-ON Electronics

Largest Supplier of Electrical and Electronic Components

Click to view similar products for [XLR Connectors](#) category:

Click to view products by [Cliff](#) manufacturer:

Other Similar products are found below :

[707-0300](#) [8800235](#) [91101181024](#) [91201231](#) [91214571](#) [A3F01](#) [A3M01](#) [QGP3F](#) [HA16PRQ-3SE\(71\)](#) [AA3FL](#) [AAA4FWZ](#) [AAA4MWZ](#)
[AC3-MIC](#) [AC4-MIC](#) [AC5FPZB](#) [AC6AFDZV](#) [AC7FDZB](#) [D4FB](#) [DE4MW](#) [DHNF-BAG](#) [E3MBAUSW](#) [NA2FP-UW](#) [NA3MP-UW](#)
[NC3FBHR1-0](#) [NC3FD-H-0](#) [NC3FK-V](#) [NC3FX-1](#) [NC3FX-Y-B](#) [NC3MDM3-H-B](#) [NC3MK-V](#) [NC3MXY](#) [NC4FD-LX-0](#) [NC5FX-HD-B](#)
[NC6FSXX-BAG](#) [NC6MD-LX-BAG](#) [NC6MSX-BAG](#) [RT3FC-B-W-D](#) [91210071096](#) [SL05](#) [99.265.0400.0](#) [A3F04](#) [AC3FG](#) [AC3MMG](#) [AC4-FCP](#) [AC4FPZ](#) [AQG4F](#) [2504FP](#) [30-498-2](#) [R6MZ](#) [CXX-15](#)