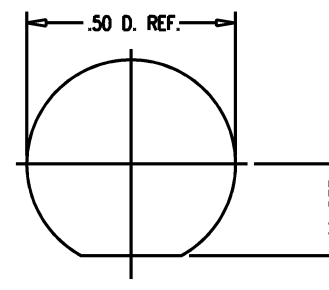
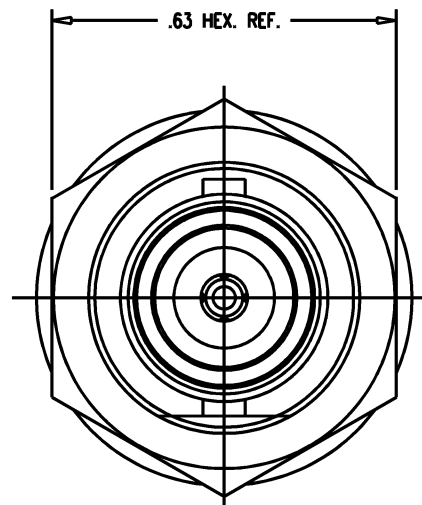
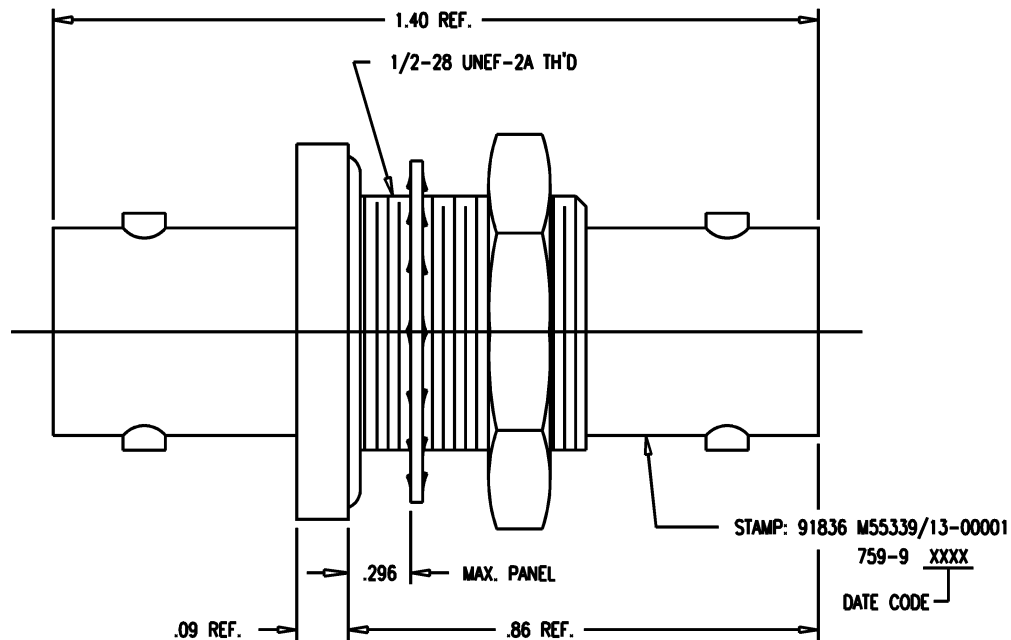


DASH NO.	M CODE	MADE FROM
----------	--------	-----------



MOUNTING HOLE

NOTES:

- INTERFACES PER MIL-STD-348, FIG. 301-2.
- MATERIAL:
 INSULATORS: TEFLON, ASTM-D-1457
 O-RINGS: SIL. RUB., ZZ-R-765
 LOCKWASHER: PHOS. BRONZE, QQ-B-750
 CENTER CONTACT: BER. COP., ASTM-B-196
 ALL OTHER PARTS: BRASS, ASTM-B16
- FINISHES:
 CENTER CONTACT: HARD GOLD PLATE PER MIL-G-45204
 ALL OTHER METAL PARTS: SILVER PLATE PER QQ-S-365
- ELECTRICAL CHARACTERISTICS:
 NOMINAL IMPEDANCE: 50 OHMS
 VOLTAGE RATING: 500 VRMS
 FREQUENCY RANGE: DC TO 4 GHz
- PRESSURE TEST: 30 PSI, 1 MIN.

UNLESS OTHERWISE SPECIFIED

- ALL DIMENSIONS IN INCHES (MILLIMETERS).
- TOLERANCES:
 .xxx ±.004 .xx ±.010
 [.xxx ±.10] [.xx ±.25]
 FRACTIONS: x/y ±.010 [.25] ANGLES: ± 1°

★ CRITICAL DIMENSIONS

M55339/13-00001

REVISIONS	
ISSUE	CHANGES
4	CN 35064 C REDRAWN JCA 11/22/93
5	CN 35618 D KH 01/09/95
6	ER 7595 BAM 04/15/08

CUSTOMER
SALES DRAW

SCALE	4:1		
APPROX SURFACE AREA			
SD759-9			
USED ON			
REF:			
ADAPTER, F-F, BULKHEAD, PRESSURIZED, BNC-BNC			
DRAWN	JCA	DATE	11/22/93
DESIGN	LI	DATE	11/23/93
APPR.		DATE	

M55339/13-00001

X-ON Electronics

Largest Supplier of Electrical and Electronic Components

Click to view similar products for [RF Connectors / Coaxial Connectors](#) category:

Click to view products by [Winchester](#) manufacturer:

Other Similar products are found below :

[R125315120](#) [8915-1511-000](#) [89674-0827](#) [5916-1103-603](#) [0106-001-000](#) [6-0001-3](#) [6001-7071-019](#) [6002-7051-003](#) [6002-7551-202](#) [6059674-1](#) [619550-1](#) [630059-000](#) [M39012/25-0021](#) [M39012/79-3008](#) [M39030/3-01N](#) [M39030/3-03N](#) [M3933/25-29N](#) [M3933/25-36N](#) [6500-7071-046](#) [6501-1071-002](#) [M83723/72W24576](#) [M83723/72W2457N](#) [6769](#) [CX050L2AQ](#) [7002-1541-010](#) [7002-1572-002](#) [7003-1572-002](#) [7004-1512-000](#) [7009-1511-004](#) [7010-1511-000](#) [7029-1511-060](#) [7101-1541-010](#) [7101-1571-002](#) [7105-1521-002](#) [7145-1521-002](#) [7209-1511-011](#) [7210-1511-012](#) [7210-1511-015](#) [7210-1511-019](#) [7210-1511-040](#) [7225-1512-050](#) [7242-1511-000](#) [73137-5015](#) [73251-0111](#) [73251-0672](#) [73276-1501](#) [73366-0013](#) [73404-2300](#) [73413-6080](#) [734151610](#)