

SERIES 76-91 FLEXIBUTTON – PANEL SEALED RANGE

FEATURES

- Waterproof panel seal
 - IP67 approved to BS5420 (IEC144)
- Flame retardant body
 - UL94-VO approved material
- High dielectric strength
- Wide temperature range
 - up to 80°C
- Robust construction
 - for harsh environments
- Positive tactile response
 - for operator feedback
- Operates at up to 10 Amps

NON-STANDARD OPTIONS

- 2 pole versions
- Alternate action versions
- PCB terminals
- Gold contacts
- Fully sealed with flying leads

TW Switches

Technical Information

Series 76-91

A robust pushbutton switch designed for demanding environmental applications. The snap-action switch mechanism provides high quality switching behind an ice-proof, flexible actuator. The body of the Flexibutton is flame retardant to UL94-VO approval and the switch is panel sealed to IP67.

The range offers the choice of six button colours with solder/quick connect terminals as standard. Single and double pole versions are available in momentary or alternate actions. A locknut and sealing washer are supplied with the switch.

Mechanical

Travel	3,3mm reference
Life (min)	10 ⁶ cycles
Operating force (nom)	12N
(max)	15,5N
Contact bounce	<5ms
Panel thickness (max)	4mm
Locknut tightening torque (max)	2,85Nm

Electrical

Current (max) silver contacts	10A resistive 250 V a.c.
Current (min) silver contacts	10mA resistive 5V d.c.
Life (min)	10 ⁵ cycles
Dielectric strength	1KV a.c., 1 minute
Insulation resistance (min)	1GΩ @ 500V d.c.
Contact resistance (max. initial)	25mΩ

Environmental & Physical

Ingress protection	IP67
Impact rating	2 Joules
Shock (min)	10g
Temperature	-40°C to +80°C
Body material	Glass filled polyester
Button material	Polyether block amide
Sealing washer material	Nitrile rubber
Contacts	Fine silver
Terminals	Tin plated brass

Ordering Information

Button Style

Momentary 1 Pole	1
Momentary 2 Pole	2

76-91 /439088

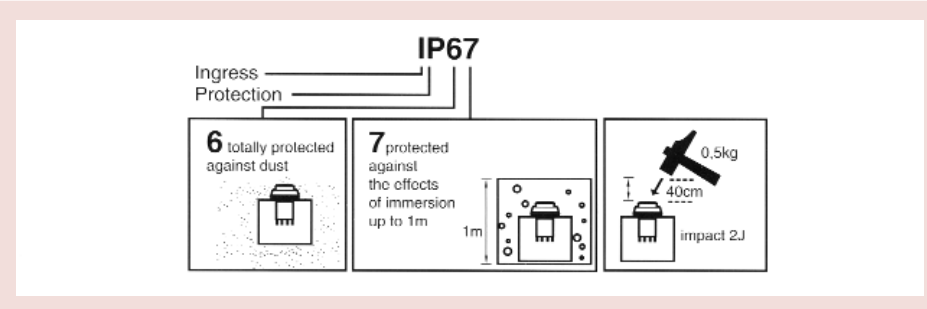
Indicator Colour

White	1
Red	2
Green	3
Blue	4
Yellow	5
Black	6

Panel Mounting & Construction Information

The Flexibutton mounts easily into panels not exceeding 4mm thickness. Front panel sealing to IP67 is achieved by use of sealing washer which is fitted to the switch before it is inserted into the panel hole cut-out. Momentary single pole versions mount in a DIN standard 22,5mm diameter hole, or by reversing the special locknut, will mount in a 25mm diameter hole. Alternate and double pole versions mount into 25mm hole*. The locknut is then screwed on from behind the panel to secure the switch in place. The tightening torque is from 1,5Nm to 2,85Nm.
 *(For 22,5mm fixing on these versions, please consult the factory.)

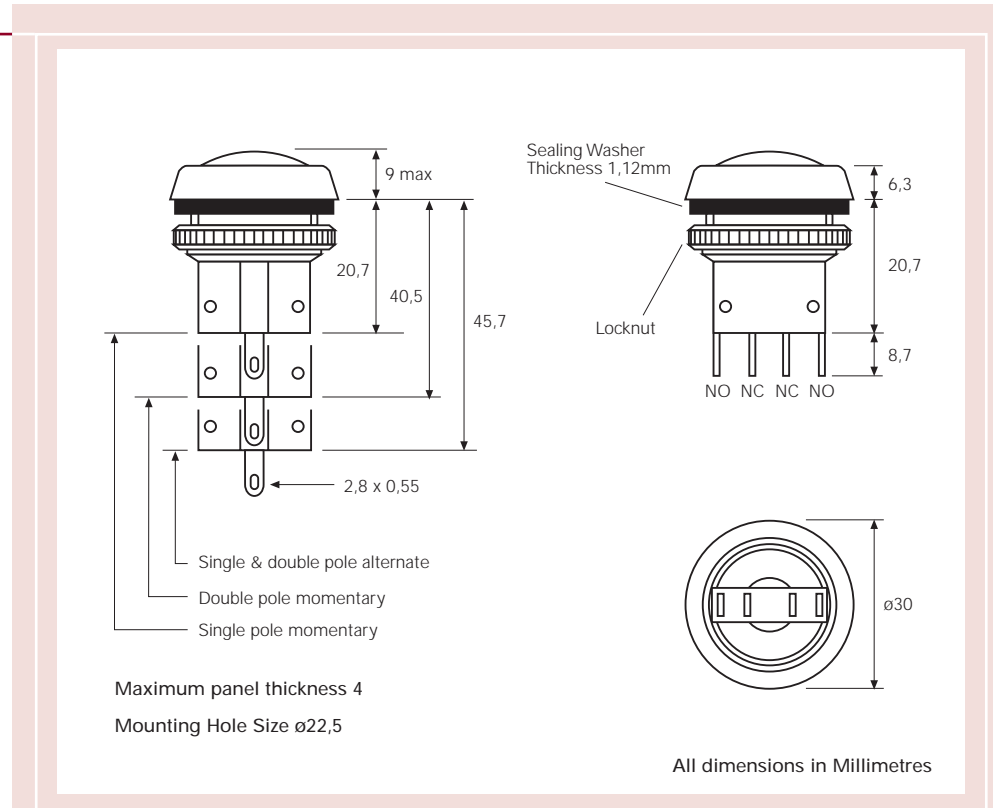
Ingress Protection Impact Key



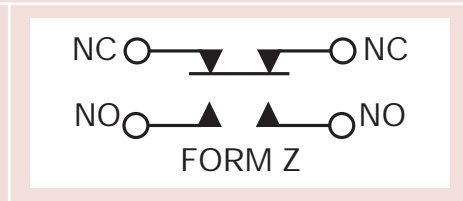
SERIES 76-91 FLEXIBUTTON Panel Sealed Range

Technical Information

Product Dimensions



Circuit Form



Application References

- Mining
- Field Equipment
- Dairy
- Hydraulic vehicles
- Exterior security call points
- Marine instrumentation
- Car wash machinery

Further Information

For further information on our complete range of switch products, visit our website – www.itwswitchcon.com or contact our Sales Office.

ITW Switches

ITW Switches, Division of ITW Limited, Norway Road, Hilsea, Portsmouth PO3 5HT, UK
Tel: +44 (0)2392 694971 Fax: +44 (0)2392 666352 Website: www.itwswitchcon.com

Due to our policy of continuous product development, ITW Switches retain the right to change the specification at any time without prior notice. Designed & printed in the UK.

X-ON Electronics

Largest Supplier of Electrical and Electronic Components

Click to view similar products for [itw switches manufacturer](#):

Other Similar products are found below :

[MP648-16\(50\)](#) [SDBS25PN](#) [76-1024](#) [48M-111B](#) [76-959034](#) [181541B](#) [MDJ15](#) [DA15POLF](#) [48M-111G](#) [22-204](#) [DC37PF](#) [DB25SNF](#) [DB25SF](#)
[76-9510/4044](#) [65-301000](#) [49-59115](#) [40-2-5](#) [76-9513/4044G](#) [76-9113/439088](#) [SDAX15SNT](#) [SDD50PTD](#) [H48M-213B/4044](#) [59-900091](#)
[48M210N](#) [ES1020](#) [SDB25PNTD](#) [DE9SNF](#) [DAC15P](#) [49-59121](#) [H48M-112B/4044](#) [57-112R](#) [HDAX26SNT](#) [76-9112/439088](#) [48-1-RB-G-](#)
[BK-B](#) [76-9440/439088N](#) [48M112R](#) [H48M-112G/4044](#) [57M110N](#) [40-2-10](#) [H48M-212B/4044](#) [76-9116/439088](#) [DE9PF](#) [57M-211B](#) [4959213](#)
[71-2010](#) [48M110N](#) [H48M-212R/4044](#) [1640401](#) [76-9711/439088R](#) [76-9440/439088B](#)