

# 770-001 Shrink Boot Heat Shrink Molded Part

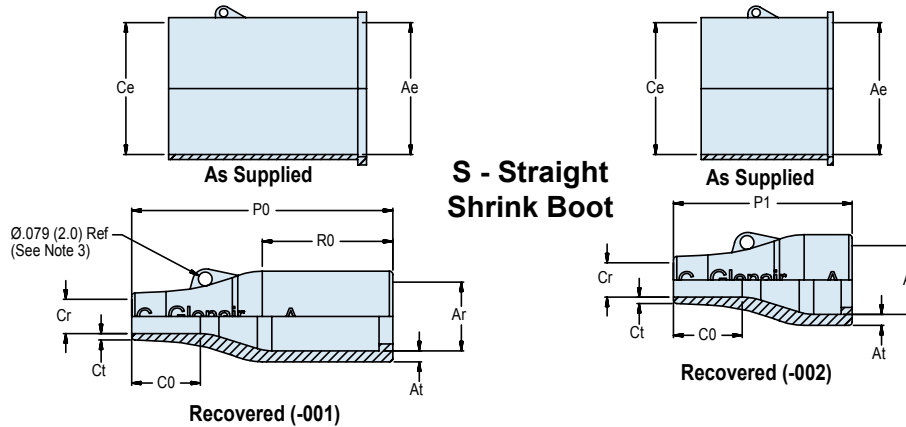
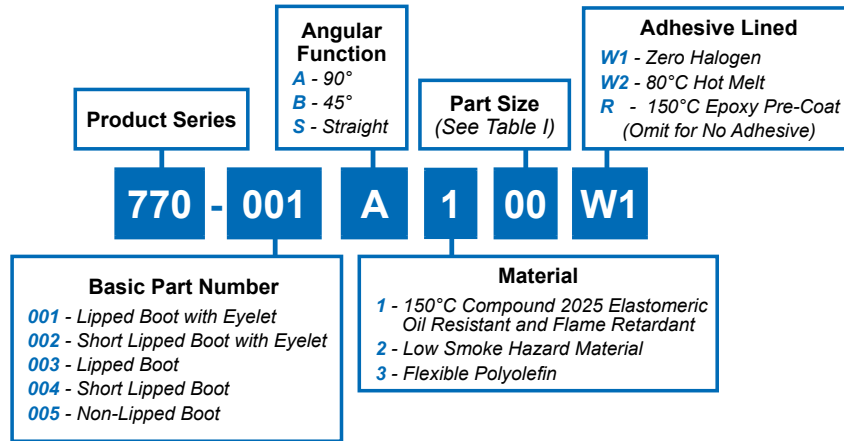
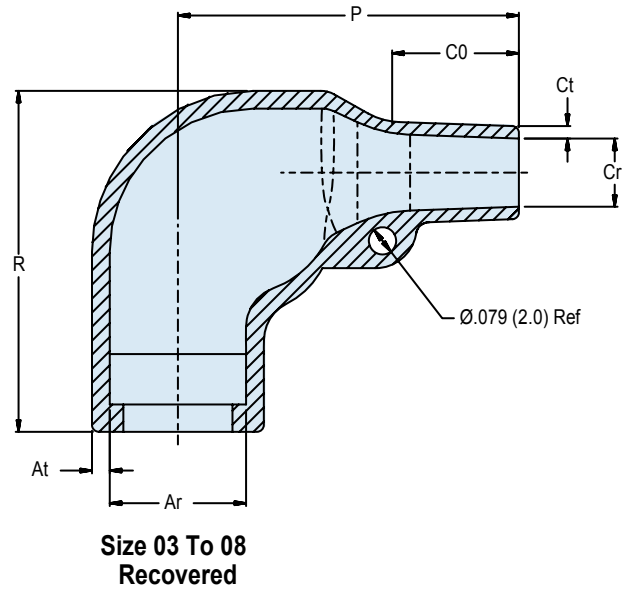
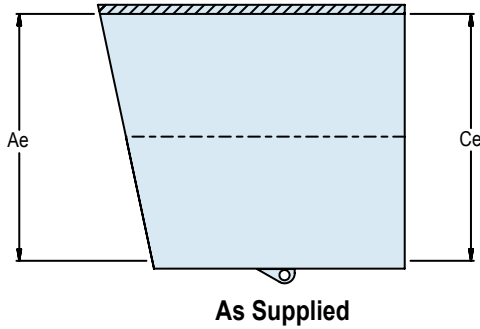


TABLE I: STRAIGHT BOOT DIMENSIONS, BOOT AND SHELL SIZE

Boot Size	Shell Size	Ae Dia Min	Ce Dia Min	Ar Dia Max	at ±30%	Cr Dia Max	ct ±20%	C0 Ref	P0 ±10%	P1 ±10%	R0 Ref
00	5	.354 (9.0)	.354 (9.0)	.217 (5.5)	.039 (1.0)	.079 (2.0)	.028 (0.7)	.295 (7.5)	.984 (25.0)	N/A	.551 (14.0)
01	5, 6	.472 (12.0)	.472 (12.0)	.276 (7.0)	.043 (1.1)	.118 (3.0)	.028 (0.7)	.295 (7.5)	.984 (25.0)	N/A	.551 (14.0)
02	6, 7	.669 (17.0)	.669 (17.0)	.276 (7.0)	.051 (1.3)	.138 (3.5)	.028 (0.7)	.395 (10.0)	1.181 (30.0)	N/A	.728 (18.5)
03	8, 10	.945 (24.0)	.945 (24.0)	.413 (10.5)	.063 (1.6)	.197 (5.5)	.035 (0.9)	.395 (10.0)	1.496 (38.0)	1.024 (26.0)	.748 (19.0)
04	11-16	1.181 (30.0)	1.181 (30.0)	.551 (14.0)	.071 (1.8)	.236 (6.0)	.039 (1.0)	.630 (16.0)	2.165 (55.0)	1.693 (43.0)	1.181 (30.0)
05	16-17	1.260 (32.0)	1.260 (32.0)	.709 (18.0)	.071 (1.8)	.276 (7.0)	.047 (1.2)	.748 (19.0)	2.638 (67.0)	1.850 (47.0)	1.299 (33.0)
06	17-21	1.417 (36.0)	1.417 (36.0)	.886 (22.0)	.079 (2.0)	.335 (8.5)	.047 (1.2)	.787 (20.0)	3.150 (80.0)	2.362 (60.0)	1.575 (40.0)
07	21-23	1.693 (43.0)	1.693 (43.0)	1.102 (28.0)	.087 (2.2)	.394 (10.0)	.051 (1.3)	1.142 (29.0)	3.898 (99.0)	3.150 (80.0)	2.165 (55.0)
08	25	2.362 (60.0)	2.362 (60.0)	1.378 (35.0)	.130 (3.3)	.591 (15.0)	.063 (1.6)	1.575 (40.0)	5.118 (130.0)	4.331 (110.0)	1.969 (50.0)

## APPLICATION NOTES

1. Material: Fluid resistant elastomer - Glenair Material Type 1.
2. When the minimum number of conductors are used, wire bundle/cable may require build-up to B<sup>2</sup> max.
3. Sizes 00 to 02 do not contain eyelet.

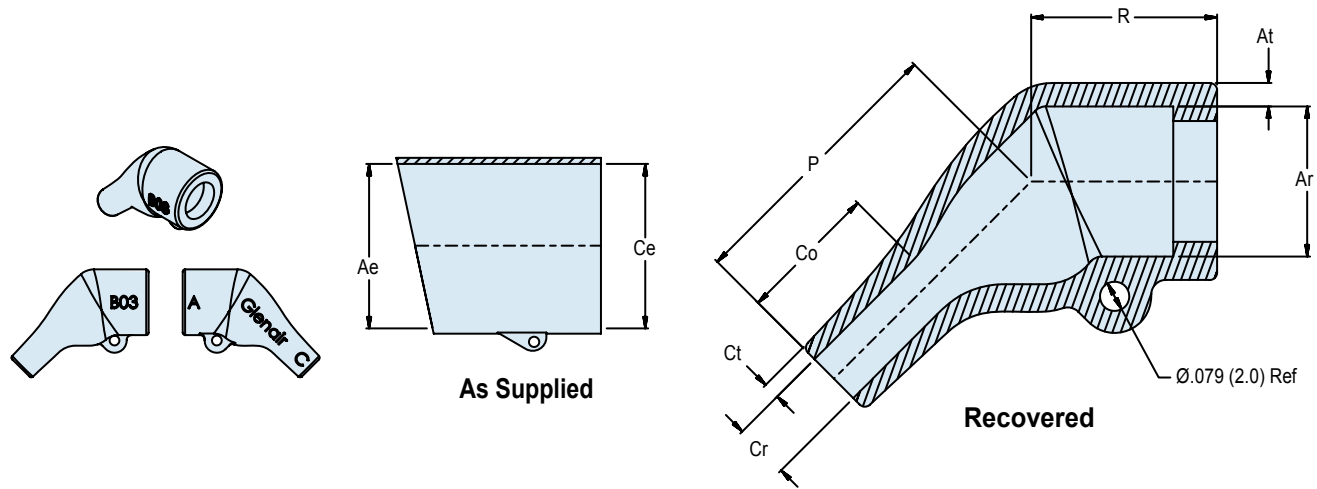


**A - 90°  
Shrink Boot**

**TABLE I: 90° BOOT DIMENSIONS, BOOT AND SHELL SIZE**

Boot Size	Shell Size	Ae Dia Min	Ce Dia Min	Ar Dia Max	at ±30%	Cr Dia Max	ct ±20%	C0 Ref	P ±20%	R Ref
03	9	.945 (24.0)	.945 (24.0)	.394 (10.0)	.063 (1.6)	.197 (5.0)	.035 (0.9)	.394 (10.0)	.984 (25.0)	.984 (25.0)
04	11-15	1.181 (30.0)	1.181 (30.0)	.532 (13.5)	.071 (1.8)	.217 (5.5)	.039 (1.0)	.472 (12.0)	1.260 (32.0)	1.063 (27.0)
05	13-17	1.260 (32.0)	1.260 (32.0)	.709 (18.0)	.071 (1.8)	.276 (7.0)	.047 (1.2)	.591 (15.0)	1.535 (39.0)	1.260 (32.0)
06	17-21	1.417 (36.0)	1.417 (36.0)	.886 (22.0)	.079 (2.0)	.335 (8.5)	.047 (1.2)	.630 (16.0)	1.929 (49.0)	1.496 (38.0)
07	21-23	1.693 (43.0)	1.693 (43.0)	1.102 (28.0)	.087 (2.2)	.394 (10.0)	.059 (1.5)	.709 (18.0)	2.165 (55.0)	1.850 (47.0)
08	23-25	2.165 (55.0)	2.165 (55.0)	1.378 (35.0)	.130 (3.3)	.591 (15.0)	.079 (2.0)	1.260 (32.0)	3.150 (80.0)	2.165 (55.0)

770-001  
45° Shrink Boot  
Heat Shrink Molded Part



B - 45°  
Shrink Boot

TABLE I: 45° BOOT DIMENSIONS, BOOT AND SHELL SIZE

Boot Size	Shell Size	Ae Dia Min	Ce Dia Min	Ar Dia Max	at ±30%	Cr Dia Max	ct ±20%	CO Ref	P ±10%	R Ref
03	9	.945 (24.0)	.945 (24.0)	.413 (10.50)	.063 (1.6)	.157 (4.0)	.035 (0.9)	.315 (8.0)	.748 (195.0)	.500 (12.7)
04	11-15	1.181 (30.0)	1.181 (30.0)	.551 (14.0)	.071 (1.8)	.236 (6.0)	.039 (1.0)	.354 (9.0)	1.180 (30.0)	.748 (19.0)
05	13-17	1.260 (32.0)	1.260 (32.0)	.709 (18.0)	.079 (2.0)	.276 (7.0)	.071 (1.8)	.591 (15.0)	1.378 (35.0)	.984 (25.0)
06	17-21	1.417 (36.0)	1.417 (36.0)	.886 (22.0)	.079 (2.0)	.335 (8.5)	.071 (1.8)	.709 (18.0)	1.575 (40.0)	1.260 (32.0)
07	21-23	1.693 (43.0)	1.693 (43.0)	1.102 (28.0)	.087 (2.2)	.394 (10.0)	.079 (2.0)	.709 (18.0)	1.772 (45.0)	1.496 (38.0)

## X-ON Electronics

Largest Supplier of Electrical and Electronic Components

*Click to view similar products for [Cable Boots](#) category:*

*Click to view products by [Glenair](#) manufacturer:*

Other Similar products are found below :

[618235-000](#) [622A014-3-0](#) [CX4132-000](#) [879103-4](#) [879515-000](#) [889092](#) [982033-2](#) [R280576000](#) [1300830729](#) [MTPSRBCL-C](#) [1811481-1](#)  
[200W531-3-0](#) [202A121-386-0](#) [202A142-4-00/42-0](#) [202A163-4-0-CS5067](#) [202B221-13-0](#) [202B231-13-0](#) [202B563-25-07-0](#)  
[202C621710CS5361](#) [202D132-4-07/42-0](#) [202D221-4-0-CS5349](#) [202D221-4-26-0](#) [202D263-25-08-0](#) [202D263-4-22/42-0](#) [202D263-4-88-0](#)  
[202D921-2542-0](#) [202E336-71-0](#) [202F211-50-22-0-CS8474](#) [202F242-50-05-0](#) [202F242-51-04/164-0](#) [202K121-25-CS-1858-0](#) [202K121-25-](#)  
[CS-2062-0](#) [202K132-25-01/225-0CS8387](#) [202K153-3-0186-0](#) [202S132-25-UP-0](#) [203W301-3/42-0](#) [207W613-100/184-0-CS5657](#) [207W623-](#)  
[100-01/184-0](#) [207W634-100/184-0-CS5657](#) [207W656-100-01/184-0](#) [207W667-100-01/184-0](#) [207W667-100/184-0](#) [208A011-3-0](#) [208A021-3-](#)  
[0](#) [221A011-51164-0-CS7133](#) [222A121-2586](#) [222A152-342-0](#) [222A213-25-0-CS5613](#) [222D221-25-13/86-0](#) [222D232-4-61-0-CS5078](#)