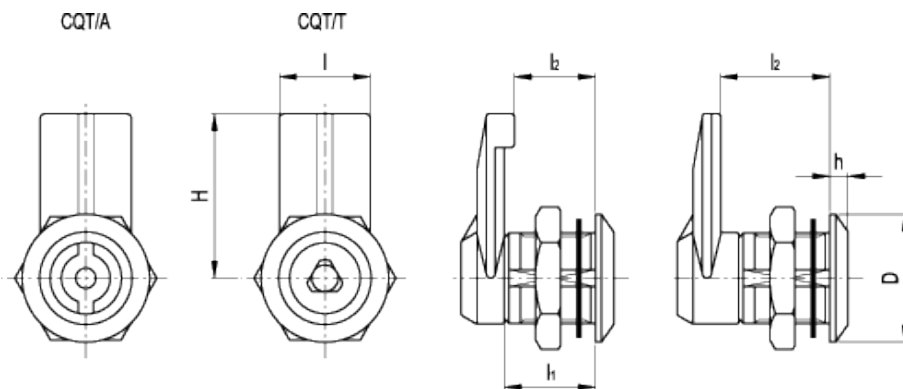


# CQT.AE-V0

Latches with recessed key



## technical informations

### Material

Stator, rotor, closing lever and nut (M22x1.5) in glass-fibre reinforced polyamide based (PA) technopolymer certified self-extinguish UL-94 V0. Resistant to solvents, oils, greases and other chemical agents.

### Colour

Black, matte finish.

### Sealing washer

SBR rubber.

### Self-tapping screw

Zinc-plated steel.

### Key

Polyamide based (PA) technopolymer.

## Rotation

90°.

## IP protection

IP 65 protection class, according to [IEC 529 table](#).

## Standard executions available

- CQT/A: mark for two-wings key.
- CQT/T: mark for triangular key.

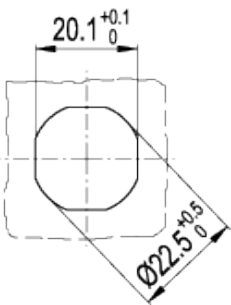
## Special executions on request (For sufficient quantities)

Cylindrical body of the closing lever in other dimensions.

## Technical data

The "V0" certification in accordance with UL-94 V (Underwriters Laboratories) (see [Technical Data](#)) indicates that on a plastic test sample with specific shape and dimensions, in the vertical position, the flame is extinguished within 10 seconds, without generating incandescent drops.

## Drilling template



Standard Elements		Main dimensions						Weight
Code	Description	H	l <sub>2</sub>	D	h	l	l <sub>1</sub>	g
421393	CQT/A-32-18 AE-V0	32	18	28	4	20	20	20
421391	CQT/A-32-20 AE-V0	32	20	28	4	20	20	20
421395	CQT/A-32-24 AE-V0	32	24	28	4	20	20	21
421397	CQT/A-32-32 AE-V0	32	32	28	4	20	20	23
421403	CQT/T-32-18 AE-V0	32	18	28	4	20	20	20
421401	CQT/T-32-20 AE-V0	32	20	28	4	20	20	20
421405	CQT/T-32-24 AE-V0	32	24	28	4	20	20	21
421407	CQT/T-32-32 AE-V0	32	32	28	4	20	20	23



ELESA and GANTER models all rights reserved in accordance with the law. Always mention the source when reproducing our drawings.

STANDARD MACHINE ELEMENTS WORLDWIDE

## X-ON Electronics

Largest Supplier of Electrical and Electronic Components

*Click to view similar products for [Latches category](#):*

*Click to view products by [Elesa & Ganter manufacturer](#):*

Other Similar products are found below :

[M38510/75403BSA](#) [634674X](#) [634752C](#) [ML4875CS-5](#) [54FCT573ATDB](#) [401639B](#) [027063C](#) [029314R](#) [54FCT573CTLB](#) [NLV14043BDR2G](#)  
[716165RB](#) [74F373DW](#) [74LVC373ADTR2G](#) [74LVC573ADTR2G](#) [NL17SG373DFT2G](#) [NLV14044BDG](#) [5962-8863901RA](#) [5962-88639012A](#)  
[2.PM30.006-30](#) [MIC59P50YV](#) [NLV14042BDR2G](#) [4.401.001](#) [NLV14044BDR2G](#) [2.L18.001-21](#) [2.PM18.002-18](#) [2.PM18.006-18](#) [2.T18.001-](#)  
[21](#) [2.T18.002-18](#) [2.T18.006-18](#) [CQ/AA-KEY](#) [CQ/A-M22X1,5-45-28](#) [M22-2-D5-2-21-01-P](#) [CY74FCT2373CTSOC](#) [421283](#)  
[74ALVCH16260PAG](#) [74FCT373CTQG](#) [MM74HC373WM](#) [MM74HC573MTCX](#) [MM74HC573WM](#) [74LCX373MTC](#) [74LVT16373MTDX](#)  
[74VHC373MX](#) [KLD5.001-02](#) [KLT9.001-02](#) [Z-0233-827-15](#) [74AHCT573D.112](#) [74FCT16373CTPVG8](#) [74FCT573ATQG](#)  
[74LCX16373MTDX](#) [CQ/A-M22X1,5-45-16](#)