

Country of Origin : China
 Operating Temperature : 0~ 40[°C]
 Dimension : 64 x 48.5 x 25.5 [mm]
 Efficiency level (E.L.) : V.
 Approvals / Marks :



GREEN MODE

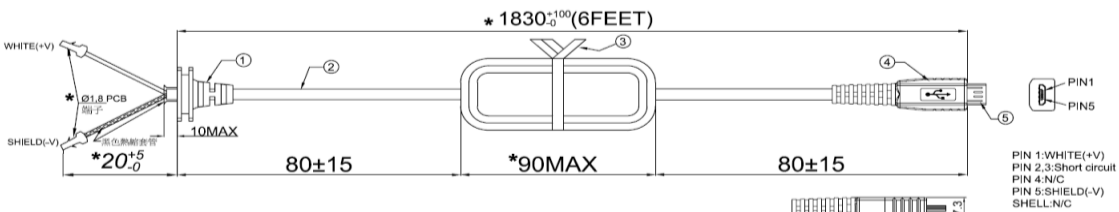
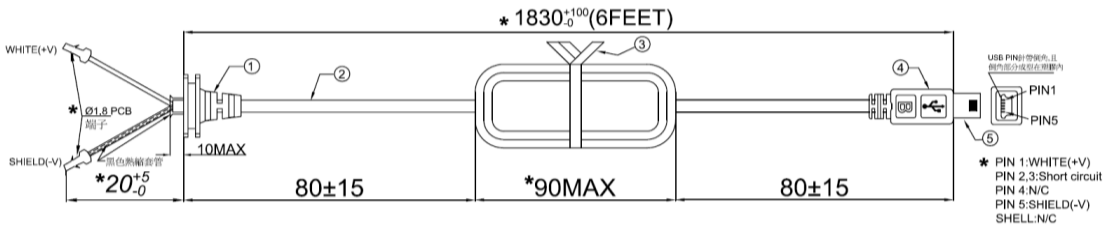
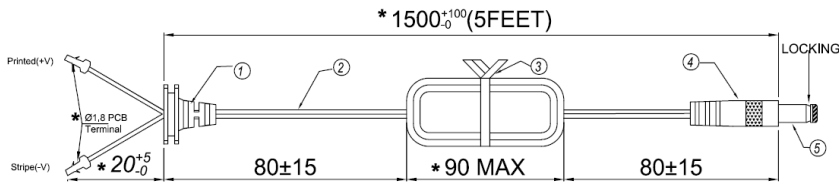
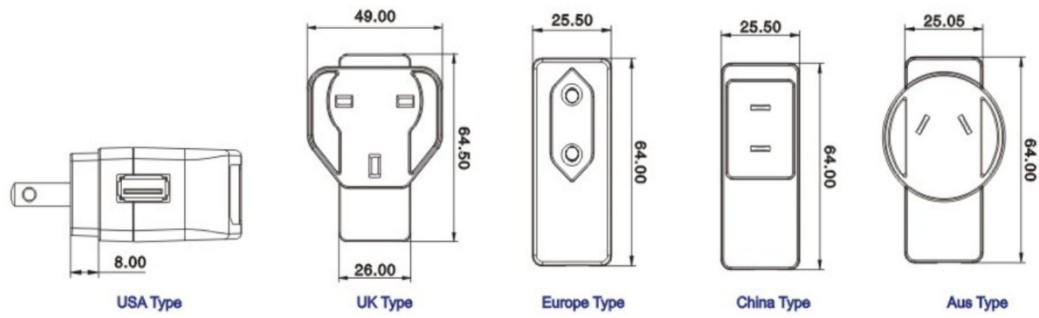
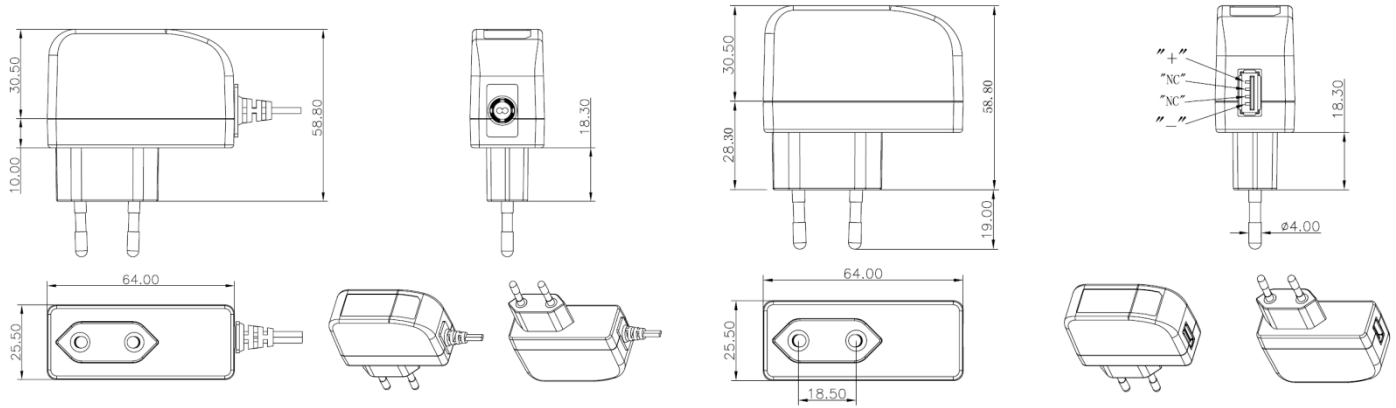


Features:

Overload, over voltage & short protection.	For I.T.E. use only + RoHS conform.	PSU housing ready for use in country :
Wall-mount power supply, single output.	Wide range Input (90 ~ 264) VAC / (47 ~ 63) Hz.	USA/Japan/Taiwan/Canda (type W2) Australia (type W2A) UK (type W3U) Europe (type W2E) Korea (type W2K) China (type W2C)

Specification:

Model	OUTPUT										
	Voltage DC [V]	min. Load [A]	max. Load [A]	Tol. [%]	OCP [A]	OVP [V]	Efficiency [%]	Max. Power [W]	Ripple & Noise [mV] p-p	Connector [mm] UL approval	
SYS1421-xyyy	yy=05 or 12	0	1.2	(*)	(*)	(*)	(*)	xx=01~06	(*)	(*)	
ErP V.	SYS1421-0605-W2E	5	0	1.2	±5	1.5~3.5	12±4	>69.53	6	150	2.1x5.5x11
ErP V.	SYS1421-0605-W2E	5	0	1	±5	1.3~3	12±4	>68.1	5	150	mini USB
ErP V.	SYS1421-0605-W2E	5	0	0.8	±5	1.3~3	12±4	>66.49	4	150	micro USB
ErP V.	SYS1421-0605-W2E	5	0	0.5	±5	0.75~2	12±4	>62.97	3	150	USB inlet
ErP V.	SYS1421-0612-W2E	12	0	0.5	±5	0.6~2	17±4	>73.41	6	150	2.1x5.5x11
(*) – will be provide with the specify model											
OUTPUT	Turn on delay	5000 ms max @ AC low line input@output full load									
	Hold up time	8ms min @ AC nominal input@ output full load (> half cycle)									
	Efficiency (Normal)	In the table above minimum average efficiency in active mode(Meet CEV V)									
	Transient response (dv, tmax)	0.4V dv max @ AC nominal input loading from 20% load to 80% load 6ms tmax Dynamic rise time 10uS max, duty 40ms max, Dynamic load step is slew rate of 0.5A/uS									
	Power out. Limit	Peak 7W for model- 0605									
	Burn in test	Full load 2 Hours before testing									
INPUT	Voltage	(90 ~ 264)VAC									
	Frequency	(47 ~ 63) Hz									
	Current	0.5A rms @ AC low line input and DC output full load									
	Inrush Surge Current (cold start)	30/60A max @ power supply cold start, ambient temperature 25 °C @115Vac / 230Vac nominal AC input.									
	Leakage current	0.25 mA Max.									
	Power consumption	0.3W rms max. At AC nominal input @ output min load 0.5W rms max @ model 2415									
PROTECTION	Over Current /Short protection	The power supply will self-protect any output to ground, and auto recovery when abnormal circuit faults remove. An output short circuit is defined as any output impedance of less than 0.1 ohms. [OCP]									
	Over Voltage	The power supply will not be auto recovered when faults remove >>Voltage limit<< [OVP]									
	Input protection	1A Fuse or 10R2W The power supply shall be protected against power line surges and any abnormal condition.									
	No load protection	The power supply is provided with no load operation to prevent the power supply and system from damage.									
	Protection class	II.									
OTHERS	Dielectric Strength (Hi-pot)	Primary to Secondary: 3000VAC / 10mA / 60s									
	M.T.B.F	50K hours full rated load operation at 25 °C, according to the MIL-HDBK-217F.									
	Cable length / type	1836mm (6feet) round cable or depends on customer requirements / 2468#24, 5FT									
	PLD (power line disturbance)	LINE POWER SURGE LINE VOLTAGE SAG – more information will be provide on request									
	Cooling method	By natural air									
	Housing matherial	PC or PPO									
	Temperature coefficient:	< ±0.5% / °C									
ENVIRONMENT	Temperature	Operating: (0 ~ 40)°C / Storage: (-20 ~ 85)°C									
	Humidity	Operating: 8% ~ 90% RH / Storage: 5% ~ 95% RH non condensing									
SAFETY		CE TUV/GS CB UL cUL FCC BSMI PSE VCCI C-TICK SAA T-licence									
EMC	EMI	EN 55022 Class B (2006)+ A1(2007) EN 61000-3-2 (2006) + A1(2009) + A2 Class A(2009)/EN 61000-3-3 (2008)									
	EMS	EN55024(1998)+A1(2001)+A2(2003) IEC 61000-4-2 (2008) IEC 61000-4-3 (2006) + A1(2007) + A2(2010) IEC 61000-4-4 (2004) + A1(2010) IEC 61000-4-5 (2005) IEC 61000-4-6 (2008) IEC 61000-4-8 (2009) IEC 61000-4-11 (2004)									
WEIGHT	1pc	N.W.: 50g / pc									
PACKING	Box	0.44(L) x 0.37(W) x 0.22(H) [m]									
		100 pcs / 1box									
		G.W.: 17kg/box									



X-ON Electronics

Largest Supplier of Electrical and Electronic Components

Click to view similar products for [Wall Mount AC Adapters](#) category:

Click to view products by [Sunny](#) manufacturer:

Other Similar products are found below :

[76000738](#) [76000756-B10](#) [ADP-163 E](#) [ADP-159 A](#) [PSAC05A-050L6](#) [RLMDT361800](#) [TE30A1803F01](#) [0650-00005](#) [P25A14E-R1C](#) [SWI24-12-N-P6R](#) [SWI24-24-N-ST](#) [TRH25033-A-02E01-Level-VI](#) [DA5-050US-B](#) [DA5-050UK-B](#) [RLMDT701800](#) [76000756](#) [DA5-050EU-B](#) [WSU120-2000-R13](#) [5V1A-USB](#) [AC-DC ADAPTER 160W](#) [WSU120-2000-13](#) [WSU150-0800-13](#) [76000980](#) [WSU075-3200-13](#) [WSU090-2500-13](#) [WSU050-2000-R13](#) [WSU240-1000-13](#) [WSU090-3500-R13](#) [WSU075-1500-13](#) [WSU050-3000-13](#) [WSU135-1330-13](#) [WSU045-1500-13](#) [WSU090-2500-R13](#) [WSU240-1500-13](#) [WSU180-0660-13](#) [WSU075-1500-R13](#) [WSU090-1300-13](#) [WSU180-1330-R13](#) [NTPS-24-TT-700](#) [BB-SMI1812VP230C1](#) [WSU150-1600-13](#) [WSU050-1500-13](#) [WSU090-0800-13](#) [WSU180-0450-13](#) [WSU150-0560-R13](#) [WSU135-0880-13](#) [WSU120-3000-13](#) [WSU120-1000-R13](#) [WSU090-1300-R13](#) [WSU060-4000-13](#)