

Country of Origin : China  
 Operating Temperature : 0~40 [°C]  
 Dimension : 82.3 x 71.1 x 34.5 [mm]  
 Efficiency level (ErP) : V



Approvals / Marks :



**Specifications**

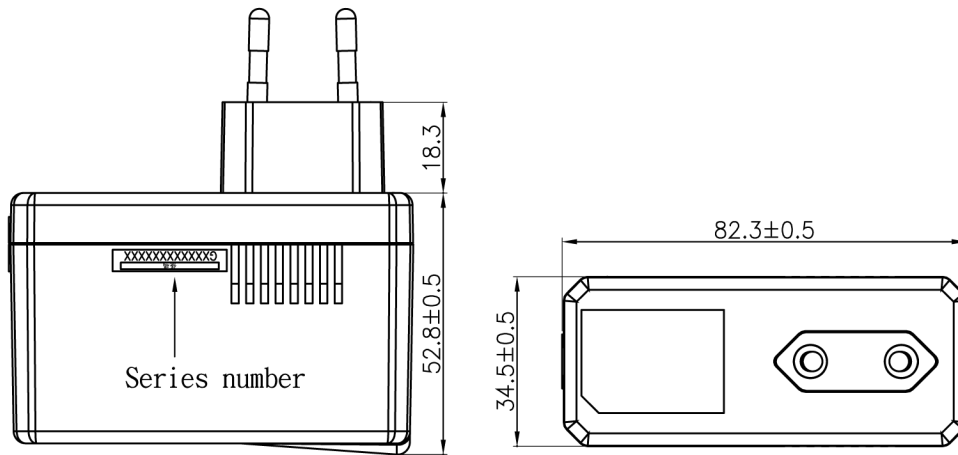
Model	Voltage DC [V]	Loading [A]	Max. Power [W]	Ripple / Noise [mV] p-p	Connector [mm]
SYS1452-3012-W2E	12	0~2.5	30.1	200	2.1x5.5x9.5

**Features:**

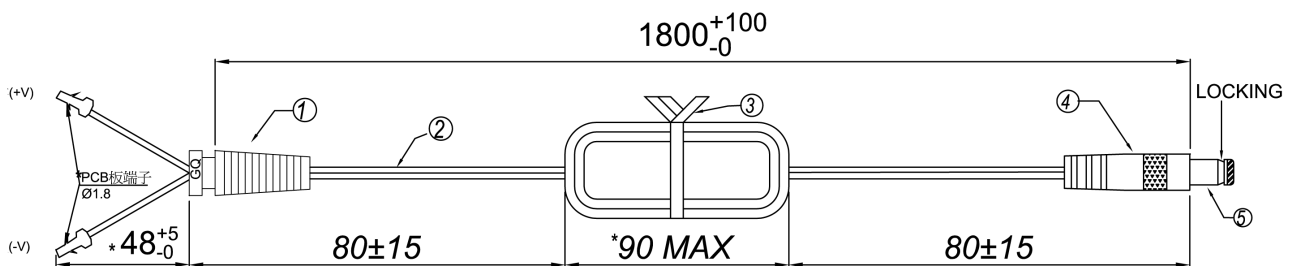
Output connector: standard: 2.1 x 5.5 x 9.5mm or customer requirement | Regulated Output With Low Ripple Noise | Safety Agency Requirements and EMI/EMS Certified  
 Private Label Marking Available | Modified and Custom Design Available | 2 Years Warranty

OUTPUT		EMC	
Turn delay	7000 ms max @ AC low line input@output full load	Meet EN550022 class B, FCCpart 15 Sub part B class B	
Hold up time	5ms min@AC nominal input@output full load (>half cycle)	EN 60950-1:2006+A11   LVD2006/95/EC   IEC 60950-1:2005	
Efficiency (Normal)	Meet CEC, ERP Level V @115v/60HZ,230V/50HZ	SAFETY	
Transient response (dv,tmax)	0.3v dv max At AC nominal input loading from 50% load to max load or peak load 8ms tmax   Dynamic rise time 10uS max , duty 40mS max , Dynamic load step is slew rate of 0.5A/uS	GS   CB   CE	
Power out.Limit	-	OTHERS	
Burn in limit	Full load 2 Hours	Dielectric Strength(Hi-pot)	Primary to Secondary:3000VAC 10mA/60S
Power consumption	Less than 0.03W rms max. At AC nominal input@output no load	M.T.B.F	500,000 Calculated Hours at 25°C, by Telcordia SR-332
INPUT		Cable Length	1800mm (6 feet) standard cable or as required
Voltage	(90~264)VAC	PLD (power line disturbance)	Line power surge   Line voltage SAG-more info on request
Frequency	(47~63)hz	Cooling method	Natural Convection Cooling
Current	1A rms @ AC low line input and DC output full load	Housing material	PC
Inrush Surge Current (cold start)	30/60A max@power supply cold start,ambient temperature 25°C @115Vac/230Vac nominal AC input	Temperature coefficient:	<±0.5%/°C
leakage current	0.25mA Max	ENVIRONMENT	
PROTECTION		Temperature	Operating: 0~40°C / Storage: -20%~85%RH non condensing
Over current/ Short protection	The power supply will self-protect any output to ground and auto recovery when abnormal circuit faults remove. An output short circuit is defined as any output impedance of less than 0.1 ohms.	Humidity	Operating: 8%~90%RH / Storage: 5%~95% RH non condensing
Over Voltage	The power supply will be auto recovered when faults remove	WEIGHT	
Input protection	2.0AL/250V Fuse. F2 connected from MOV(Varistor) to remaining PS circuitry to protect PS from excessive current draw.	1PC	NW: 127g/pc GW: 12,3kg/box
No Load protection	The power supply is provided with no load operation to prevent the power supply and system from damage.	PACKING	
Protection class	II, (ITU-T K.21 Surge 6KV on request)	PE plastic bag	64 pcs /1 box

**Mechanical case specification:**



**Cable specification:**



## X-ON Electronics

Largest Supplier of Electrical and Electronic Components

*Click to view similar products for [Wall Mount AC Adapters](#) category:*

*Click to view products by [Sunny](#) manufacturer:*

Other Similar products are found below :

[76000738](#) [76000756-B10](#) [ADP-163 E](#) [ADP-159 A](#) [PSAC05A-050L6](#) [RLMDT361800](#) [TE30A1803F01](#) [0650-00005](#) [P25A14E-R1C](#) [SWI24-12-N-P6R](#) [SWI24-24-N-ST](#) [TRH25033-A-02E01-Level-VI](#) [DA5-050US-B](#) [DA5-050UK-B](#) [RLMDT701800](#) [76000756](#) [DA5-050EU-B](#) [WSU120-2000-R13](#) [5V1A-USB](#) [AC-DC ADAPTER 160W](#) [WSU120-2000-13](#) [WSU150-0800-13](#) [76000980](#) [WSU075-3200-13](#) [WSU090-2500-13](#) [WSU050-2000-R13](#) [WSU240-1000-13](#) [WSU090-3500-R13](#) [WSU075-1500-13](#) [WSU050-3000-13](#) [WSU135-1330-13](#) [WSU045-1500-13](#) [WSU090-2500-R13](#) [WSU240-1500-13](#) [WSU180-0660-13](#) [WSU075-1500-R13](#) [WSU090-1300-13](#) [WSU180-1330-R13](#) [NTPS-24-TT-700](#) [BB-SMI1812VP230C1](#) [WSU150-1600-13](#) [WSU050-1500-13](#) [WSU090-0800-13](#) [WSU180-0450-13](#) [WSU150-0560-R13](#) [WSU135-0880-13](#) [WSU120-3000-13](#) [WSU120-1000-R13](#) [WSU090-1300-R13](#) [WSU060-4000-13](#)