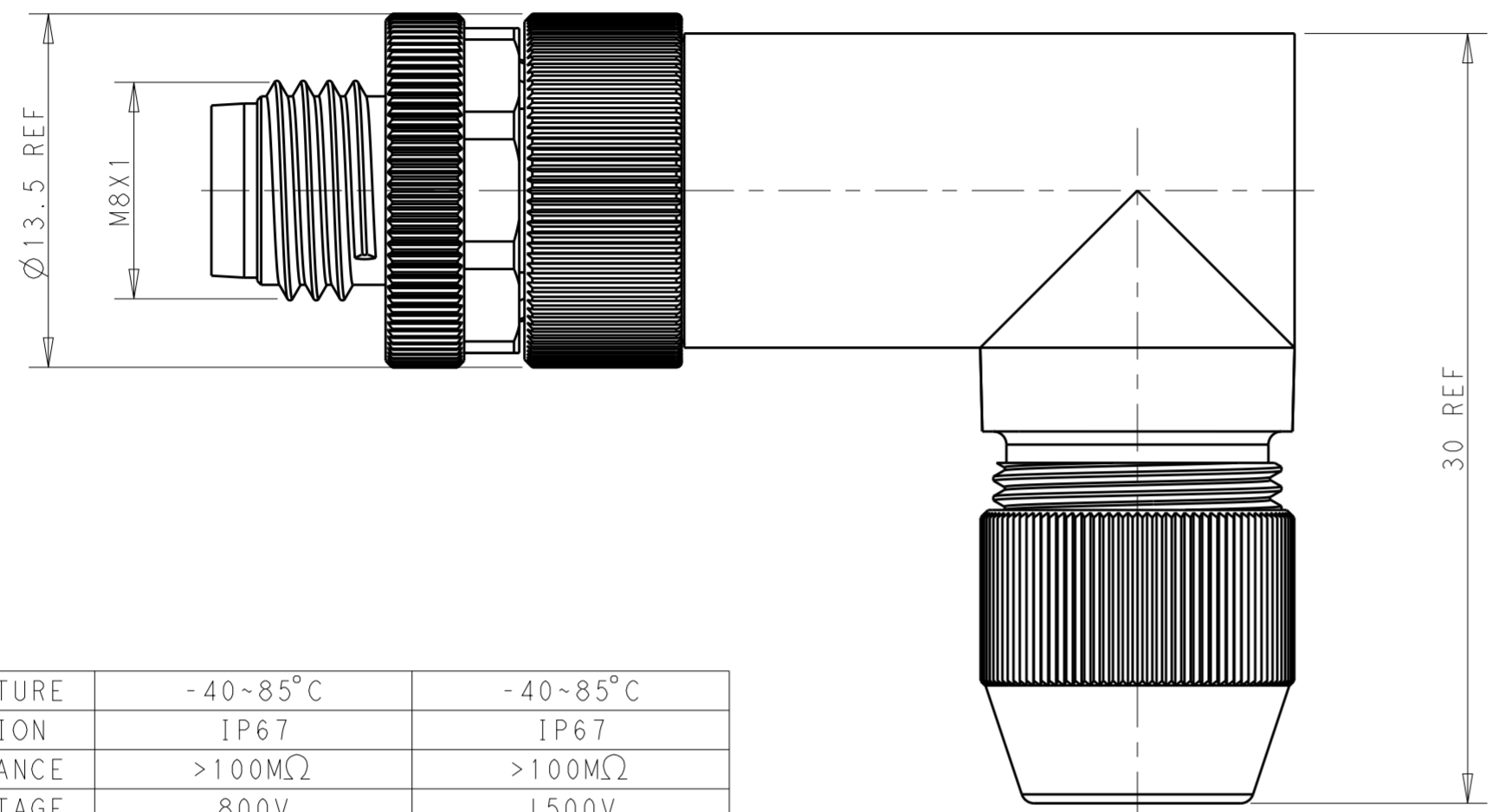
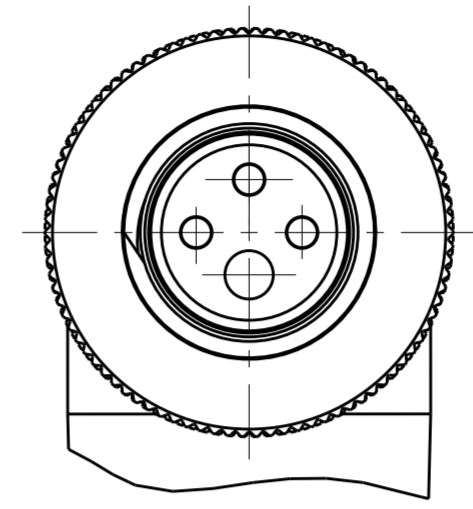


THIS DRAWING IS UNPUBLISHED. RELEASED FOR PUBLICATION 20
 © COPYRIGHT 20 BY - ALL RIGHTS RESERVED.

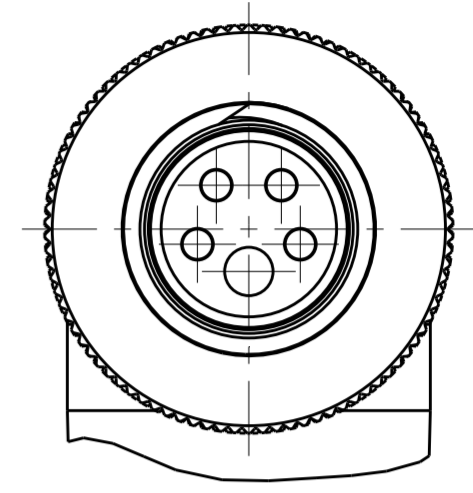
REVISIONS					
P	LTR	DESCRIPTION	DATE	DWN	APVD
A		INITIAL RELEASED	11APR2016	L.Z	X.X
B		EC-16-011351 NEW REVISION	01JUL2016	L.Z	X.X
B1		REVISED PER ECR-16-012993	19SEP2016	L.Z	X.X



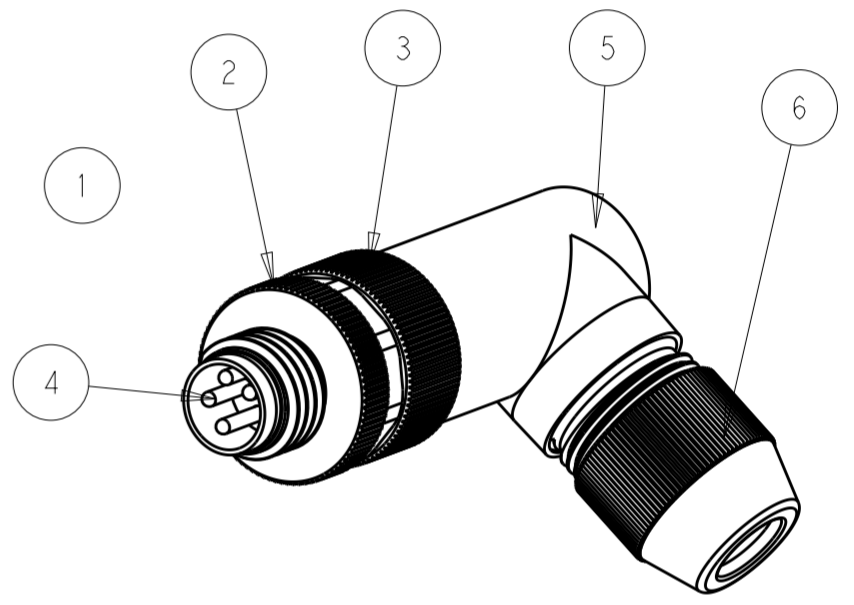
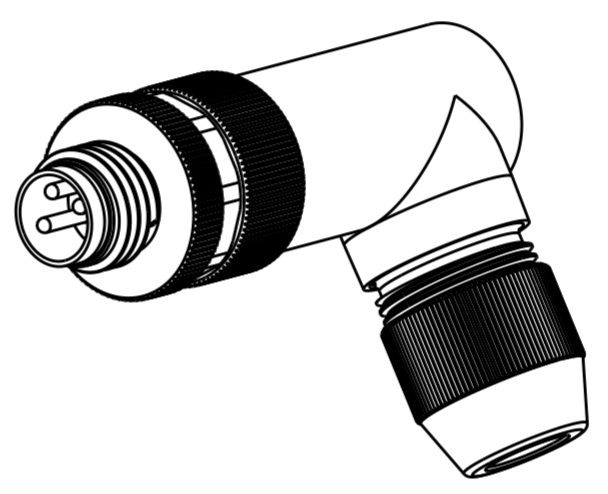
OPERATION TEMPERATURE	-40~85°C	-40~85°C
DEGREE OF PROTECTION	IP67	IP67
INSULATION RESISTANCE	>100MΩ	>100MΩ
RATED IMPULSE VOLTAGE	800V	1500V
MATERICAL GROUP	II	II
OVERVOLTAGE CATEGOYR	II	II
POLLUTION DEGREE	3	3
RATED CURRENT	3A	3A
RATED VOLTAGE	30V	60V
TECHNICAL DATA	T401301904X-000	T401301903X-000



3POS



4POS



T4013019042-000	RPC-M8-MR-4CON-PG7-SH	OBSOLETE
T4013019041-000	RPC-M8-MR-4CON-PG7-SHU	
T4013019032-000	RPC-M8-MR-3CON-PG7-SH	OBSOLETE
T4013019031-000	RPC-M8-MR-3CON-PG7-SHU	
TE PN	TYPE	

COMMENT	MATERIAL	DESCRIPTION	ITEM	OBSOLETE	OBSOLETE
	NICKEL	BRASS	PRESS SCREW	6	1
	NICKEL	BRASS	RIGHT ANGLE METAL HOUSING	5	1
	SILVER 80U"	BRASS	M8 SCTREW ASSY PLUG TERMINAL	4	3
	GOLD 3U"			4	3
	NICKEL 80U"	BRASS	M8 SCREW ASSY OUT SCREW	3	1
	NICKEL 80U"	BRASS	M8, MALE INSERT NUT	2	1
	BLACK	PA	M8, MALE HSG, A CODE, 4PIN	1	1
			M8, MALE HSG, A CODE, 3PIN	1	1
				4	4
				0	0
				0	0
				1	1
				3	3
				0	0
				1	1
				9	9
				0	0
				0	0
				4	4
				2	2
				1	1
				0	0
				0	0
				0	0

NOTES;

- PARTS MATERIAL DATA: SEE TABLE
- CONTACT FINISH:
GOLD OVER NICKEL OR SILVER OVER NICKEL
- CABLE WIRES:
26AWG/0.14mm² Max & 24AWG/0.25mm² Max
- ALL DIMENSIONS ARE FOR NOMINAL REFERENCE ONLY UNLESS OTHERWISE STATE
- PACKAGIN: 1 PIECE IN A BAG
- PN INFORMATION FOR ASSEMBLY PARTS
T401301XXXX-000

CONTACT FINISH:
1: GOLD OVER NICKEL
2: SILVER OVER NICKEL

NUMBERS OF PINS:
03: 3 PINS
04: 4 PINS
...

CABLE OUTLET:
8: PLASTIC (CABLE FEED: 3.5~4.8mm)
9: METAL (CABLE FEED: 3.5~5.0mm)
...

注意事项;
1. 零件材料参见附表
2. 表面处理: 镀金或镀银
3. 适用线材: 26AWG/0.14mm² Max & 24AWG/0.25mm² Max
4. 所有尺寸标注为基本参考, 除非其它说明
5. 包装: 每BAG装1PC
6. 料号数字代码参考上表

THIS DRAWING IS A CONTROLLED DOCUMENT.		DWN LEAR ZHANG 11APR2016	TE Connectivity	
DIMENSIONS: mm		CHK KOBBOY ZHAO 11APR2016		
TOLERANCES UNLESS OTHERWISE SPECIFIED: 0 PLC ±0.2 1 PLC ±0.2 2 PLC ±0.2 3 PLC ± 4 PLC ± ANGLES ± FINISH		APVD XU XIANG 11APR2016	NAME M8 MALE SCREW ASSY RIGHT ANGLE SHIELDING CONNECTOR	
MATERIAL		PRODUCT SPEC 108-106140	SIZE A2	
		APPLICATION SPEC 114-137144-1	CAGE CODE -	
		WEIGHT -	DRAWING NO T40130190XX000	
		CUSTOMER DRAWING	RESTRICTED TO -	
		SCALE 2:1	SHEET 1 OF 1	
			REV B1	

X-ON Electronics

Largest Supplier of Electrical and Electronic Components

Click to view similar products for [Circular Metric Connectors](#) category:

Click to view products by [TE Connectivity](#) manufacturer:

Other Similar products are found below :

[1424048](#) [1021212](#) [600X518037X](#) [6STD09SAM99B70X](#) [6STD15PCR99B70A](#) [8R4000A16M020](#) [1200910002](#) [1201150041](#) [1203580030](#)
[1200700064](#) [1200700263](#) [1200700416](#) [1200730102](#) [1200770002](#) [1-2823588-2](#) [130203-0054](#) [1300140026](#) [1300150099](#) [1-3637-600-5205](#)
[1545399](#) [1594331](#) [1600413](#) [1612606](#) [1612618](#) [1614660](#) [1A4000-348](#) [CA06EW24-10P-B-03](#) [21036836414](#) [2823064-1](#) [1610759](#) [A1642LK-](#)
[II-T](#) [1R3006A20M005](#) [41-01016](#) [41-40011](#) [41-40017](#) [42-00006](#) [42-01015](#) [4-22279-4](#) [4-22281-1](#) [4-22284-9](#) [43-00002](#) [43-00113](#) [43-00130](#)
[43-01028](#) [43-01034](#) [43-01088](#) [43-01090](#) [43-01203](#) [43-01209](#) [43-01335](#)