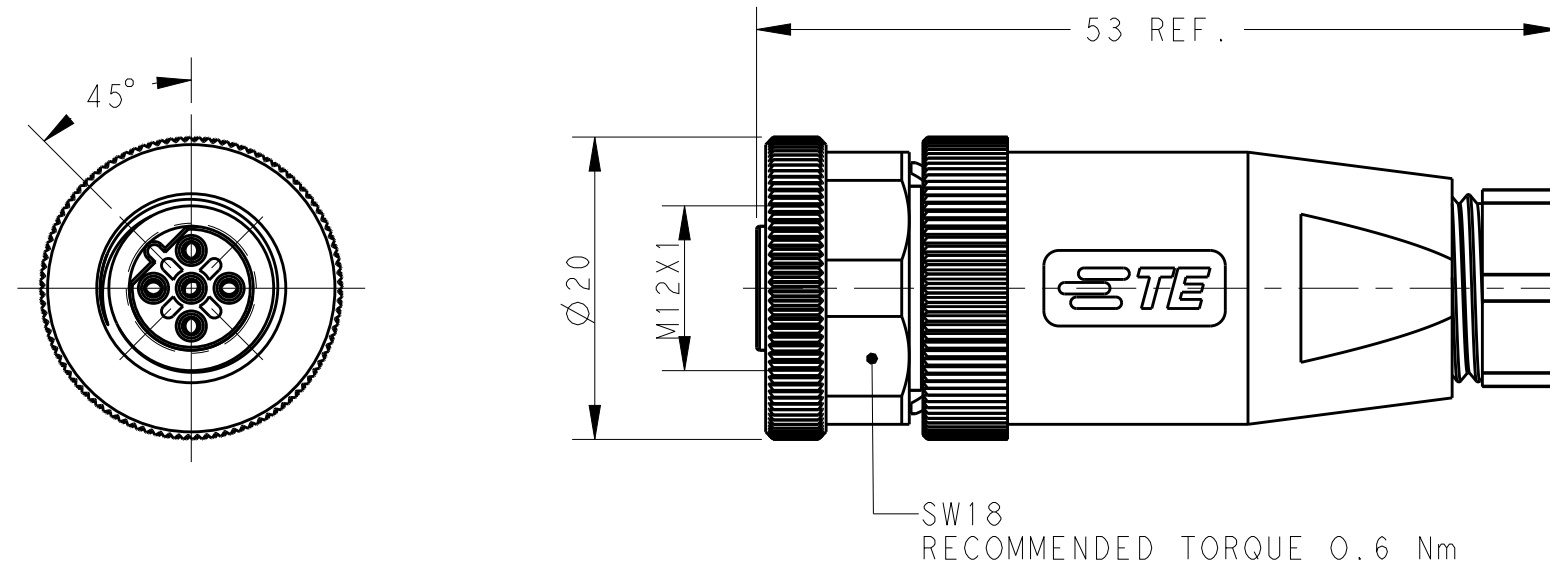


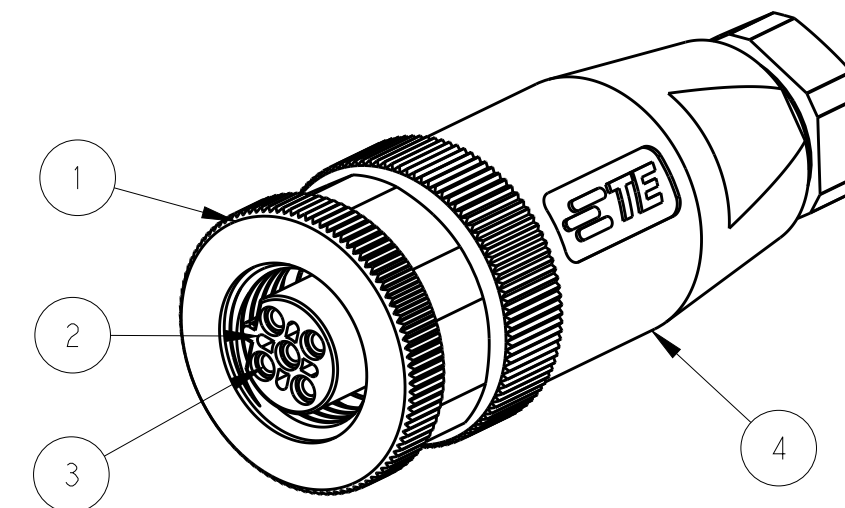
THIS DRAWING IS UNPUBLISHED. RELEASED FOR PUBLICATION 20  
 © COPYRIGHT 20 BY - ALL RIGHTS RESERVED.

REVISIONS				
P	LTR	DESCRIPTION	DATE	APVD
A		INITIAL RELEASE	08JUL2015	NP XX
A1		ECR-15-018715 ADD 114SPEC.	29DEC2015	NP XX

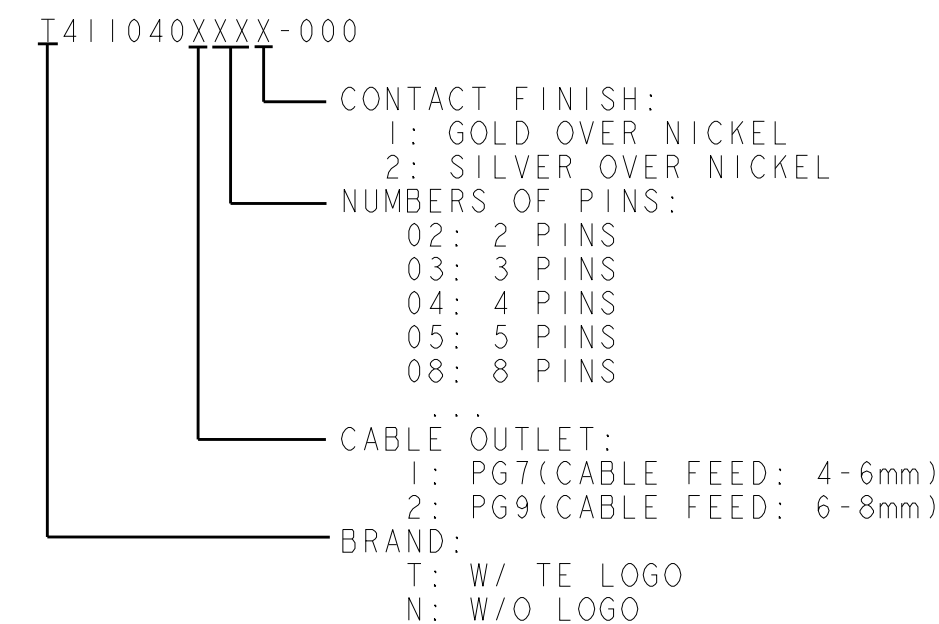


TECHNICAL DATA	T411040X02X-000	T411040X03X-000	T411040X04X-000	T411040X05X-000
RATED VOLTAGE	250V	250V	250V	60V
RATED CURRENT	4A	4A	4A	4A
POLLUTION DEGREE	3	3	3	3
OVERVOLTAGE CATEGORY	II	II	II	II
MATERIAL GROUP	II	II	II	II
CONTACT RESISTANCE	≤8mΩ	≤8mΩ	≤8mΩ	≤8mΩ
INSULATION RESISTANCE	>100MΩ	>100MΩ	>100MΩ	>100MΩ
DEGREE OF PROTECTION	IP67	IP67	IP67	IP67
OPERATION TEMPERATURE	-40~85°C	-40~85°C	-40~85°C	-40~85°C

T4110402051-000	RPC-M12B-FS-5CON-PG9-MU
T4110401051-000	RPC-M12B-FS-5CON-PG7-MU
T4110402052-000	RPC-M12B-FS-5CON-PG9-M
T4110401052-000	RPC-M12B-FS-5CON-PG7-M
T4110402041-000	RPC-M12B-FS-4CON-PG9-MU
T4110401041-000	RPC-M12B-FS-4CON-PG7-MU
T4110402042-000	RPC-M12B-FS-4CON-PG9-M
T4110401042-000	RPC-M12B-FS-4CON-PG7-M
T4110402031-000	RPC-M12B-FS-3CON-PG9-MU
T4110401031-000	RPC-M12B-FS-3CON-PG7-MU
T4110402032-000	RPC-M12B-FS-3CON-PG9-M
T4110401032-000	RPC-M12B-FS-3CON-PG7-M
T4110402021-000	RPC-M12B-FS-2CON-PG9-MU
T4110401021-000	RPC-M12B-FS-2CON-PG7-MU
T4110402022-000	RPC-M12B-FS-2CON-PG9-M
T4110401022-000	RPC-M12B-FS-2CON-PG7-M
TE PN	SIBAS PN



- NOTE:
- MATERIAL:
    - ITEM NO.1: NUT -BRASS
    - ITEM NO.2: HOUSING -PA
    - ITEM NO.3: CONTACT -BRONZE
    - ITEM NO.4: HOUSING BODY: -PBT+GF
  - CONTACT FINISH: GOLD OVER NICKEL OR SILVER OVER NICKEL
  - CABLE WIRES: 18AWG/0.75mm<sup>2</sup> Max. FOR 2-5 PINS
  - ALLDIMENSIONS ARE FOR NOMINAL REFERENCE ONLY UNLESS OTHERWISE STATED
  - PACKAGEING: IPIECE IN A BAG
  - PN INFORMATION



PIN ARRANGEMENT B-CODE		
T411040X02X-000	T411040X03X-000	T411040X04X-000
T411040X05X-000		

THIS DRAWING IS A CONTROLLED DOCUMENT.		DWN HAO WANG 08JAN2015	TE Connectivity	
DIMENSIONS: mm		CHK KOBBY ZHAO 08JAN2015		
TOLERANCES UNLESS OTHERWISE SPECIFIED:		APVD XIANG XU 08JAN2015	NAME M12 FEMALE, B CODE, STRAIGHT UNSHIELDED CONNECTOR SCREW TERMINAL	
0 PLC ±		PRODUCT SPEC 108-106140	SIZE A2	
1 PLC ±0.2		APPLICATION SPEC 114-137144	CAGE CODE -	
2 PLC ±0.2		WEIGHT -	DRAWING NO. C-T411040XXXX000	
3 PLC ±		Customer Drawing	RESTRICTED TO -	
4 PLC ±			SCALE 1:1 SHEET 1 OF 1 REV A1	
ANGLES ±				
FINISH -				
-				

## X-ON Electronics

Largest Supplier of Electrical and Electronic Components

*Click to view similar products for [Circular Metric Connectors](#) category:*

*Click to view products by [TE Connectivity](#) manufacturer:*

Other Similar products are found below :

[1424048](#) [1021212](#) [600X518037X](#) [6STD09SAM99B70X](#) [6STD15PCR99B70A](#) [8R4000A16M020](#) [1200910002](#) [1201150041](#) [1203580030](#)  
[1200700064](#) [1200700263](#) [1200700416](#) [1200730102](#) [1200770002](#) [1-2823588-2](#) [130203-0054](#) [1300140026](#) [1300150099](#) [1-3637-600-5205](#)  
[1545399](#) [1594331](#) [1600413](#) [1612606](#) [1612618](#) [1614660](#) [1A4000-348](#) [CA06EW24-10P-B-03](#) [21036836414](#) [2823064-1](#) [1610759](#) [A1642LK-](#)  
[II-T](#) [1R3006A20M005](#) [41-01016](#) [41-40011](#) [41-40017](#) [42-00006](#) [42-01015](#) [4-22279-4](#) [4-22281-1](#) [4-22284-9](#) [43-00002](#) [43-00113](#) [43-00130](#)  
[43-01028](#) [43-01034](#) [43-01088](#) [43-01090](#) [43-01203](#) [43-01209](#) [43-01335](#)