

MOC3040, MOC3041, MOC3042, MOC3043  
MOC3040X, MOC3041X, MOC3042X, MOC3043X



**ISOCOM**  
COMPONENTS



**OPTICALLY COUPLED BILATERAL  
SWITCH LIGHT ACTIVATED ZERO  
VOLTAGE CROSSING TRIAC**

**APPROVALS**

- UL recognised, File No. E91231  
Package Code "GG" or "TT"
- VDE 0884 in 3 available lead form :-  
- STD  
- G form  
- SMD approved to CECC 00802

**DESCRIPTION**

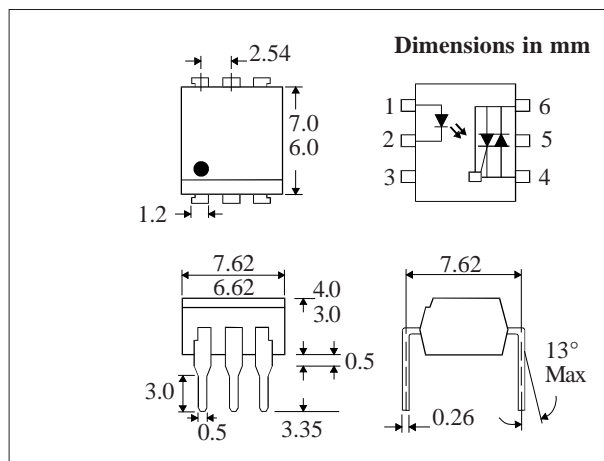
The MOC304\_ Series are optically coupled isolators consisting of a Gallium Arsenide infrared emitting diode coupled with a monolithic silicon detector performing the functions of a zero crossing bilateral triac mounted in a standard 6 pin dual-in-line package.

**FEATURES**

- Options :-  
10mm lead spread - add G after part no.  
Surface mount - add SM after part no.  
Tape&reel - add SMT&R after part no.
- High Isolation Voltage (5.3kV<sub>RMS</sub>, 7.5kV<sub>PK</sub>)
- Zero Voltage Crossing
- 400V Peak Blocking Voltage
- All electrical parameters 100% tested
- Custom electrical selections available

**APPLICATIONS**

- CRTs
- Power Triac Driver
- Motors
- Consumer appliances
- Printers



**ABSOLUTE MAXIMUM RATINGS  
(25 °C unless otherwise noted)**

Storage Temperature	-55°C - +150°C
Operating Temperature	-40°C - +100°C
Lead Soldering Temperature	260°C (1.6mm from case for 10 seconds)

**INPUT DIODE**

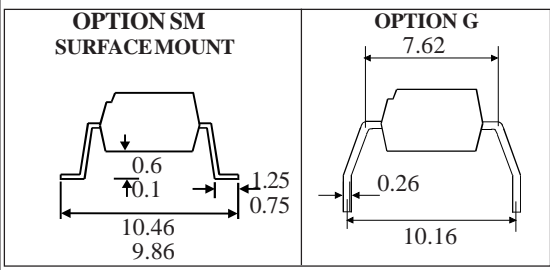
Forward Current	50mA
Reverse Voltage	6V
Power Dissipation	120mW (derate linearly 1.41mW/°C above 25°C)

**OUTPUT PHOTO TRIAC**

Off-State Output Terminal Voltage	400V
Peak Repetitive Surge Current (PW=100µs, 120pps)	1A
Power Dissipation	150mW (derate linearly 1.76mW/°C above 25°C)

**POWER DISSIPATION**

Total Power Dissipation	250mW (derate linearly 2.94mW/°C above 25°C)
-------------------------	---



**ISOCOM COMPONENTS 2004 LTD**  
Unit 25B, Park View Road West,  
Park View Industrial Estate, Brenda Road  
Hartlepool, TS25 1UD England Tel:  
(01429)863609 Fax: (01429) 863581 e-mail  
sales@isocom.co.uk http://www.isocom.com

**ELECTRICAL CHARACTERISTICS (  $T_A = 25^\circ\text{C}$  Unless otherwise noted )**

PARAMETER		MIN	TYP	MAX	UNITS	TEST CONDITION
Input	Forward Voltage ( $V_F$ ) Reverse Current ( $I_R$ )		1.2	1.4 10	V $\mu\text{A}$	$I_F = 20\text{mA}$ $V_R = 6\text{V}$
Output	Peak Off-state Current ( $I_{\text{DRM}}$ ) Peak Blocking Voltage ( $V_{\text{DRM}}$ ) On-state Voltage ( $V_{\text{TM}}$ )  Critical rate of rise of off-state Voltage ( $dv/dt$ )	400		500  3.0	nA V V	$V_{\text{DRM}} = 400\text{V}$ (note 1) $I_{\text{DRM}} = 500\text{nA}$ $I_{\text{TM}} = 100\text{mA}$ ( peak )
Coupled	Input Current to Trigger ( $I_{\text{FT}}$ )(note 2) MOC3040 MOC3041 MOC3042 MOC3043  Holding Current , either direction ( $I_H$ ) Input to Output Isolation Voltage $V_{\text{ISO}}$			30 15 10 5	mA mA mA mA	$V_{\text{TM}} = 3\text{V}$ ( note 2 )
		5300 7500	400		$\mu\text{A}$ $V_{\text{RMS}}$ $V_{\text{PK}}$	See note 3 See note 3
Zero Crossing Charact- -eristic	Inhibit Voltage ( $V_{\text{IH}}$ )  Leakage in Inhibited State ( $I_S$ )			20  500	V  $\mu\text{A}$	$I_F = \text{Rated } I_{\text{FT}}$ MT1-MT2 Voltage above which device will not trigger $I_F = \text{Rated } I_{\text{FT}}$ $V_{\text{DRM}} = \text{Rated } V_{\text{DRM}}$ Off-state

Note 1. Test voltage must be applied within  $dv/dt$  rating.

Note 2. Guaranteed to trigger at an  $I_F$  value less than or equal to max.  $I_{\text{FT}}$ , recommended  $I_F$  lies between Rated  $I_{\text{FT}}$  and absolute max.  $I_F$ .

Note 3. Measured with input leads shorted together and output leads shorted together.

## X-ON Electronics

Largest Supplier of Electrical and Electronic Components

*Click to view similar products for [Triac & SCR Output Optocouplers](#) category:*

*Click to view products by [Isocom](#) manufacturer:*

Other Similar products are found below :

[IL4218-X019](#) [MOC3063S-TA](#) [IL4108-X017](#) [IL410-X019T](#) [ILD207-X001T](#) [ILD615-1X007T](#) [VO2223-X001](#) [VO3063-X017T](#) [VO4254H](#)  
[WPPCT-N1066A](#) [WPPCT-N1566A](#) [WPPCT-Z546D](#) [523170E](#) [VO4256H-X007T](#) [VO4256D-X007T](#) [VO4254M](#) [VO3063-X016](#) [VO3062-](#)  
[X017T](#) [WPPCT-Z546A](#) [WPPCT-Z1046D](#) [WPPCT-Z1046A](#) [WPPCT-N566D](#) [WPPCT-N566A](#) [WPPCT-N1566D](#) [IL4108-X009T](#)  
[FODM3053V\\_NF098](#) [VO4258D](#) [VO4257M](#) [VO4156D-X007T](#) [VO4154D-X007T](#) [VOM160R-X001T](#) [TLP3082\(S,C,F\)](#) [VO4156H-X006](#)  
[VO4158H-X017T](#) [IL4116-X009T](#) [IL4208-X017T](#) [TLP3083\(TP1,F](#) [MOC3071SM](#) [tlp548j](#) [MOC3063STA1-V](#) [TLP267J\(TPL,E](#) [IL4218-X017](#)  
[SFH690C-X001T](#) [IL410-X017](#) [IL410-X001](#) [VOM160P-X001T](#) [IL4116-X007](#) [IL4117-X007](#) [VO4258D-X007T](#) [VOM3053-X001T](#)