

**MCS-B Power supply 1-phase, primary switched IN: 100-265VAC OUT: 24V/10ADC**

INPUT: 100...265 V AC  
 OUTPUT: 24 V DC +3/-1%  
 Current: 10 A

**Image**

- stable output voltage, (short-circuit and overload protected)
- Wide voltage input
- Protection IP20

Vicarious picture

**Input**

Input voltage	100...265 V AC
Input current	3.4 A (115 V AC); 2.2 A (230 V AC)
Inrush current after 1 ms	max. 40 A
External fuse	max. 16 A
Frequency	50...60 Hz

**Output**

Output voltage	24 V DC (SELV), $\pm 1\%$ ; 22...28 V adjustable
Output current	10 A (+40 °C); 8 A (+55 °C)
Mains failure bridging time	min. 15 ms (115 V AC); min. 115 ms (230 V AC)
Ripple	max. 20 mV rms
Spikes	max. 100 mV p-p
Short-circuit and overload protection	yes
LED display	LED (green) for output voltage
Parallel usage/serial usage	max. 5 units/max. 2 units

**General data**

Standards	(EN 60950-1), (EN 61204-3), (EN 55011 A)
Relative humidity	5...95 %, no condensation
Efficiency	83 % (115 V AC); 85 % (230 V AC)
Temperature range	0...+40 °C, to +70 °C derating (storage temperature -25...+85 °C)
Mounting method	DIN-rail mountable TH35 (EN 60715)
Dimensions H x W x D	128 x 68 x 165 mm

**Commercial data**

Net weight	831
Weight unit	Gram
Basic unit	pc.
Customs tariff number	85044090
Unit (piece)	1
Minimum order quantity (piece)	1

**Accessories**

Accessory for MCS Plate for screw mounting

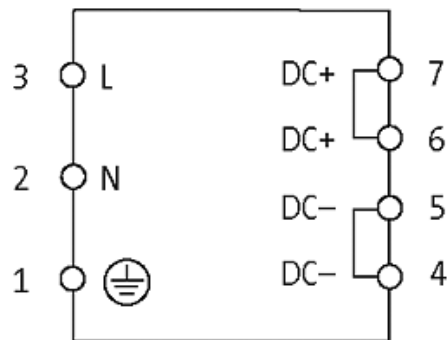
**Art.-No.**

89514

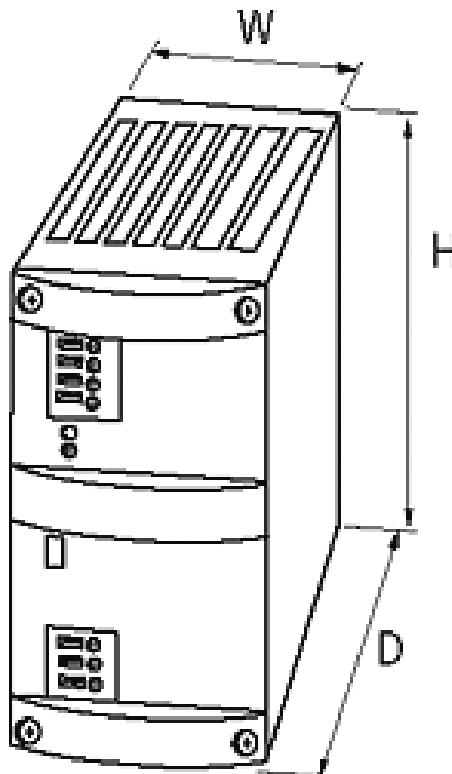
All data on this data sheet was compiled carefully.

Liability regarding correctness, completeness, and actuality is limited to gross negligence. Created: 05/14

## Circuit diagram



## Dimension drawing



## X-ON Electronics

Largest Supplier of Electrical and Electronic Components

*Click to view similar products for [DIN Rail Power Supplies](#) category:*

*Click to view products by [Murr Elektronik](#) manufacturer:*

Other Similar products are found below :

[PS-3015](#) [PSP-480S48](#) [PSR-SD25](#) [PS-S6024](#) [DR-45-24](#) [DRP048V120W1BA](#) [DVP01PU-S](#) [DVP06AD-S](#) [DVP06XA-S](#) [DVDPNET-SL](#)  
[DVPDT01-S](#) [DVPPS01](#) [DVPPS02](#) [KHNA30F-5](#) [KHNA60F-24](#) [S8JX-G01524](#) [S8JX-G01548C](#) [S8JX-G03512D](#) [S8VS-09024B-F](#) [PS-6012](#)  
[PS9Z-5R1G](#) [PS-C24024](#) [PSC-9648](#) [5607189](#) [KHNA30F-24](#) [KHNA480F-24](#) [KHNA90F-12](#) [KHNA90F-24](#) [DVP08ST11N](#) [DVPACAB530](#)  
[DVPCOPM-SL](#) [DVPEN01-SL](#) [DVPPF01-S](#) [S8JX-G10012](#) [S8JX-G15024](#) [CBI1210A](#) [SS14011524](#) [S8JX-G01505C](#) [S8TS-06024-E1](#) [PS-](#)  
[S2012](#) [PSW-12024](#) [PS-UPS40](#) [PSC-6024](#) [S8VS-48024A-F](#) [PSD-A60W12](#) [96PS-A120WDIN](#) [PSD-A60W48](#) [S8JX-G03515CD](#) [PSD-](#)  
[A40W12](#) [PSD-A40W24](#)