

INCANDESCENT PANEL MOUNT INDICATORS

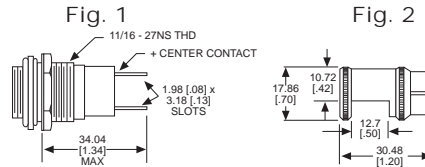


021 SERIES FOR 11/16" MOUNTING HOLE • LIGHT SHIELD

| BASE PART NO. | VOLTAGE | FIG |
|-----------------|---------|-----|
| 021-0410-29-301 | 2-120 | 1 |

| CAP PART NO. | COLOR | FIG |
|--------------|---------|-----|
| 021-2900-300 | NO LENS | 2 |

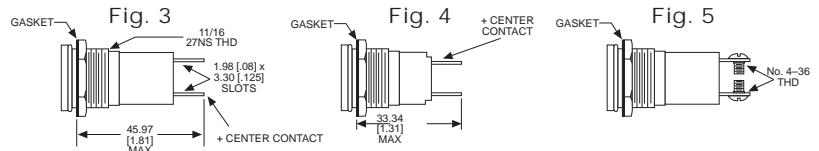
Material & Finish: Chrome Plated Brass



Uses:
T-3 1/4 MINIATURE
BAYONET BASE
INCANDESCENT LAMP

052, 081, 095, 135 SERIES FOR 11/16" MOUNTING HOLE • WATERTIGHT

| BASE PART NO. | VOLTAGE | FIG |
|------------------|---------|-----|
| 081-0410-01-303 | 2-120 | 3 |
| 081-1059-01-303† | 2-120 | 4 |
| 081-1310-01-303 | 2-120 | 5 |



† Part No. 081-1059-01-303 uses T2 Telephone Slide Base Lamp (PSB Type); CSA certified

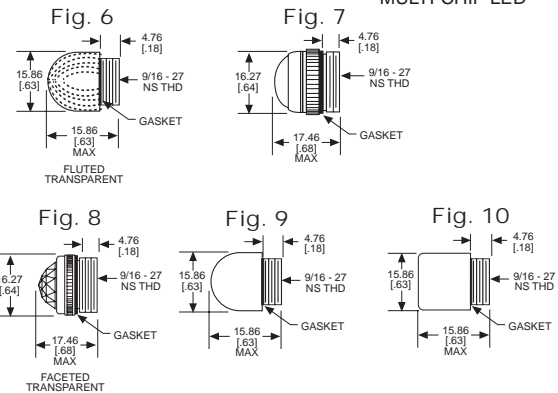
** Dialight recommends: transparent lens caps for Based LED;
Clear lens caps for green Based LEDs

Uses:
T-3 1/4 MINIATURE BAYONET BASE
INCANDESCENT LAMP,
CLUSTER BASED LED** OR
MULTI-CHIP LED**

| CAP PART NO. * | COLOR | FIG | CAP PART NO. * | COLOR | FIG |
|----------------|-------|-----|----------------|-------|-----|
| 052-3191-003 | RED | 6 | 081-0433-303 | AMBER | 8 |
| 052-3192-003 | GREEN | 6 | 081-0435-303 | WHITE | 8 |
| 052-3193-003 | AMBER | 6 | 081-0437-303 | CLEAR | 8 |
| 052-3195-003 | WHITE | 6 | 095-3137-003 | CLEAR | 9 |
| 052-3197-003 | CLEAR | 6 | 095-3171-003 | RED | 9 |
| 081-0111-303 | RED | 7 | 095-3172-003 | GREEN | 9 |
| 081-0112-303 | GREEN | 7 | 095-3173-003 | AMBER | 9 |
| 081-0113-303 | AMBER | 7 | 095-3175-003 | WHITE | 9 |
| 081-0117-303 | CLEAR | 7 | 135-3237-003 | CLEAR | 10 |
| 081-0135-303 | WHITE | 7 | 135-3271-003 | RED | 10 |
| 081-0137-303 | CLEAR | 7 | 135-3272-003 | GREEN | 10 |
| 081-0431-303 | RED | 8 | 135-3273-003 | AMBER | 10 |
| 081-0432-303 | GREEN | 8 | 135-3275-003 | WHITE | 10 |

Material & Finish: Base - Chrome Plated Brass,
Cap - Polycarbonate with Chrome Plated Bezel on
the 081 Series Fig. 7 and Fig. 8.

** Dialight recommends: transparent lens caps for
Based LED; Clear lens caps for green Based LEDs

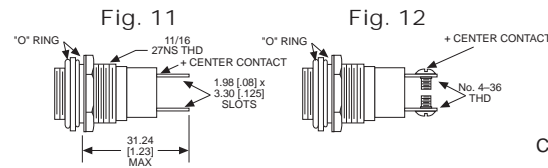


***PART NUMBER ORDERING CODE**
081-0xxx-303
Series Lens Finish:
1 = Back Frosted
(Not available in white)
3 = Transparent**

***PART NUMBER ORDERING CODE**
095 - 31xx - 003
135 - 32xx - 003
Series Lens Finish:
3 = Transparent**
7 = Translucent
(Not available in clear)

125 SERIES FOR 11/16" MOUNTING HOLE • OILTIGHT*

| BASE PART NO. | VOLTAGE | FIG |
|-----------------|---------|-----|
| 125-0410-11-103 | 2-120 | 11 |
| 125-1310-11-103 | 2-120 | 12 |



Uses:
T-3 1/4 MINIATURE
BAYONET BASE
INCANDESCENT LAMP,
CLUSTER BASED LED**,
OR MULTI-CHIP LED**

| CAP PART NO. | COLOR | FIG | CAP PART NO. | COLOR | FIG |
|--------------|-------|-----|--------------|-------|-----|
| 125-1131-403 | RED | 13 | 125-1191-403 | RED | 14 |
| 125-1132-403 | GREEN | 13 | 125-1192-403 | GREEN | 14 |
| 125-1133-403 | AMBER | 13 | 125-1193-403 | AMBER | 14 |
| 125-1135-403 | WHITE | 13 | 125-1195-403 | WHITE | 14 |
| 125-1137-403 | CLEAR | 13 | 125-1197-403 | CLEAR | 14 |

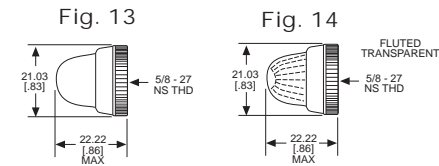
Material & Finish: Base - Nickel Plated Brass
Cap - Polycarbonate with Chrome Plated Brass Bezel

* See Page 14 for Oiltight information

Neon and incandescent lamp information on Pages 35 and 36.

Based LED lamp information on Pages 37 through 40.

** Dialight recommends: transparent lens caps for Based LED; Clear lens caps for green Based LEDs



***PART NUMBER ORDERING CODE**
125 - 11xx - 403
Series Lens Finish:
1 = Back Frosted
(Not available in white)
3 = Transparent**



X-ON Electronics

Largest Supplier of Electrical and Electronic Components

Click to view similar products for [dialight](#) manufacturer:

Other Similar products are found below :

[5131701604](#) [568-0103-232F](#) [568-0734-832F](#) [5690101111](#) [5700100111](#) [585-4215](#) [585-4413](#) [586-0012-806F](#) [586-220B-204F](#) [5922121013F](#)
[598-8030-102F](#) [598-8260-102F](#) [598-8310-102F](#) [598-8320-107F](#) [598-8540-202F](#) [5989210102F](#) [004-1830-29-207](#) [607-1312-320F](#) [607-3332-320F](#) [609-1212-130](#) [609-1312-320F](#) [609-2112-130](#) [62031RB](#) [CT2-C](#) [749-0705-001](#) [811-0332-500](#) [812-0971](#) [908-1532](#) [908-1534](#) [123-1235-403](#) [124-0111-403](#) [DLL434CT](#) [181-11A](#) [199-5261](#) [250-1475-500](#) [922-1525-525](#) [LC32WT2](#) [LLT-3B](#) [LML-6LVC-WWD](#) [169-1131-303](#)
[178-0375-500](#) [180-01AB-811](#) [181-11R](#) [181-8536-0937-503](#) [187-1876](#) [239-0334-500](#) [249-4168-3334-504](#) [250-1633-500](#) [252-9951-0973-811](#)
[302-3471](#)