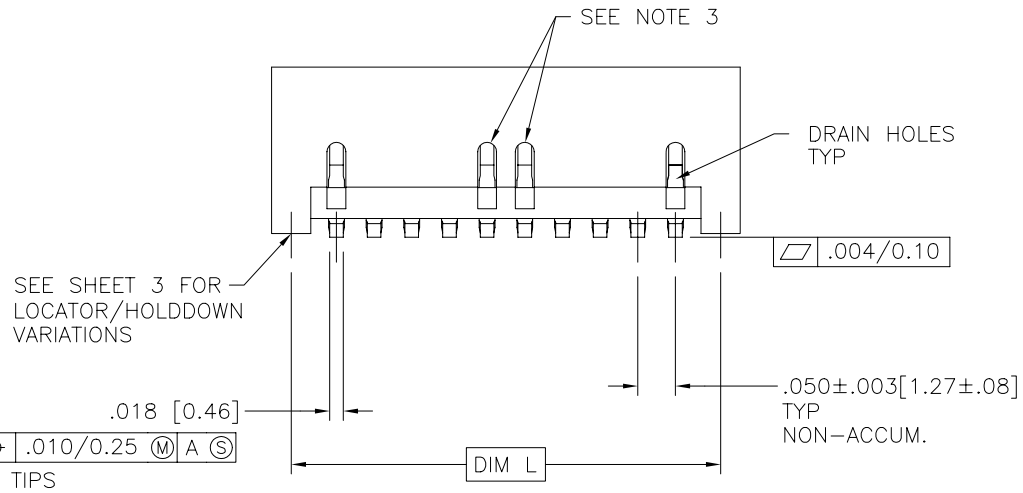
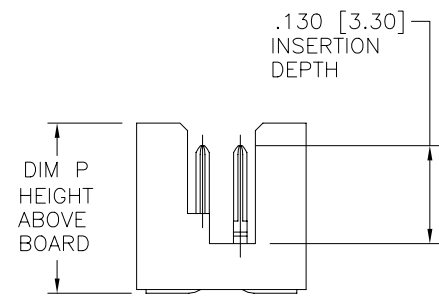
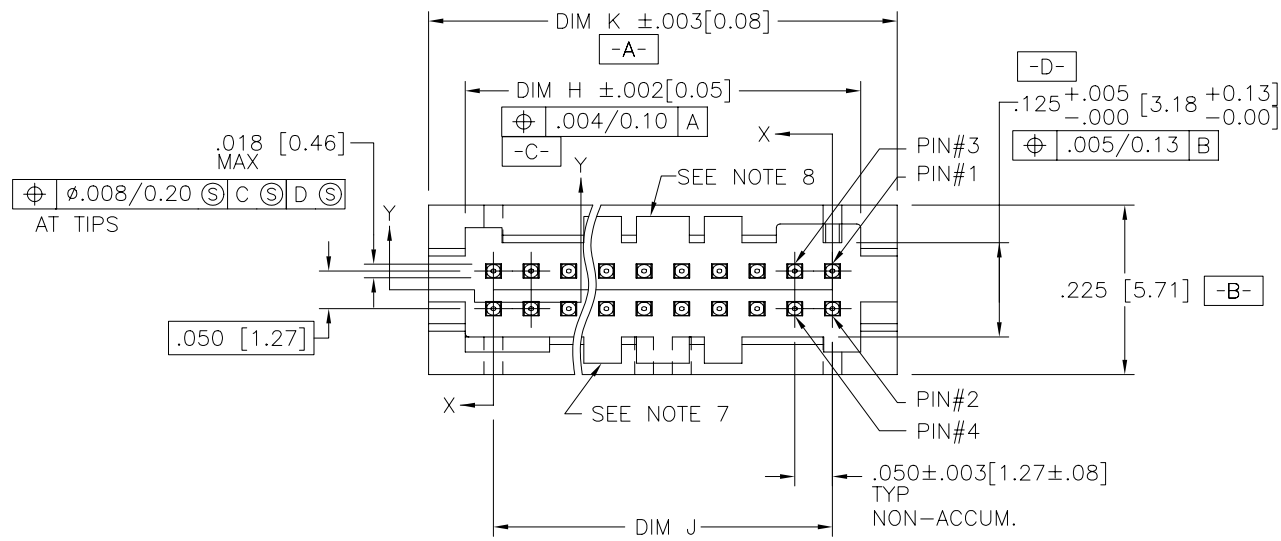


PRODUCT NUMBER
SEE TABLE



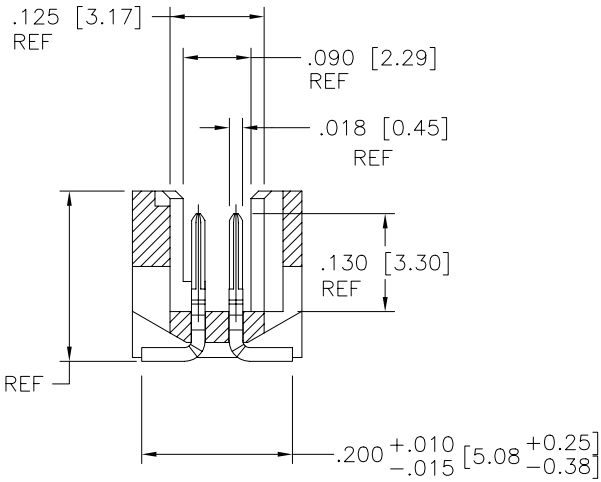
mat'l. code				surface	tolerance	projection	product family	
SEE NOTES				ISO 1302	ISO 406 ISO 1101		RIB CAGE	
ltr	ecn no	dr	date	tolerances unless otherwise specified		INCH/MM	title	
W	V04-0004	DAI	1/21/04	angles	linear			
X	M05-0084	MHT	5/05/05			scale 1:1	RIB CAGE III SMT VERT. HEADER ASS'Y	
Y	M06-0284	AEA	7/27/06					
AA	M08-0245	MHT	8/27/08	dr	M. CORNMAN	6/07/95	dwg no	
AB	M09-0058	MHT	4/02/09	enrg	D. WHITING	6/07/95		
AC	M09-0087	MHT	6/10/09	chr	D. WHITING	6/07/95	sheet 1 of 6	
AD	N10-0174	YOH	6/17/10	appd	D. WHITING	6/07/95		
sheet	revision	AD	AD	AD	AD	AD	size	
index	sheet	1	2	3	4	5		A3
							type	Product Customer Drawing



Copyright FCI

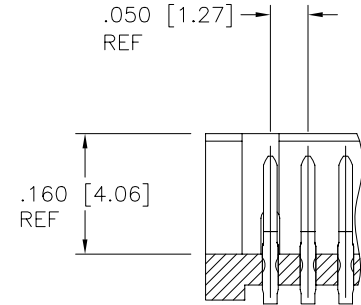
PRODUCT NUMBER
SEE TABLE

SIZE	DIM H	DIM J	DIM K	DIM L
2X5	.275/6.99	.200/5.08	.372/9.45	.320/8.13
2X10	.525/13.34	.450/11.43	.622/15.80	.570/14.48
2X15	.775/19.68	.700/17.78	.872/22.15	.820/20.83
2X20	1.025/26.03	.950/24.13	1.122/28.50	1.070/27.18
2X25	1.275/32.38	1.200/30.48	1.372/34.85	1.320/33.53
2X30	1.525/38.74	1.450/36.83	1.622/41.20	1.570/39.88
2X35	1.775/45.08	1.700/43.18	1.872/47.55	1.820/46.23
2X40	2.025/51.43	1.950/49.53	2.122/53.90	2.070/52.58
2X45	2.275/57.78	2.200/55.88	2.372/60.25	2.320/58.93
2X50	2.525/64.14	2.450/62.23	2.622/66.60	2.570/65.28



⊕ .010 / .25 ⊙ B

SECTION X-X
ROTATED 90° CW



SECTION Y-Y

mat'l. code SEE NOTES		surface ISO 1302	tolerance ISO 406 ISO 1101	projection INCH/MM	product family RIB CAGE
ltr	ecn no	dr	date	tolerances unless otherwise specified	title RIB CAGE III SMT VERT. HEADER ASS'Y
AD				linear XX ±.01/XX±0.3 XXX±.005/XXX±0.13 °±2' XXXX±.0020/XXX±0.051	scale 1:1
		dr	M. CORNMAN	6/07/95	dwg no 95781
		enr	D. WHITING	6/07/95	sheet 2 of 6
		chr	D. WHITING	6/07/95	size A3
		appd	D. WHITING	6/07/95	type Product Customer Drawing
sheet index	revision sheet				

PDM: Rev:AD

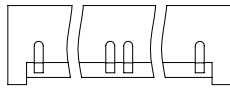
STATUS:Released

Printed: Jun 29, 2010

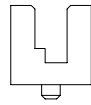
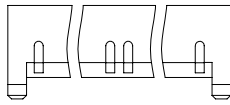
PRODUCT NUMBER
SEE TABLE

LOCATOR/HOLDDOWN VARIATIONS

STYLE
1

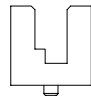
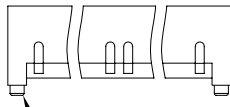


STYLE
2



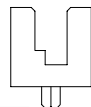
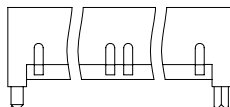
$\phi .0520 [1.321]$
 $\phi .040 [1.02]$
 $\oplus \phi .004/0.10 (M) A (S) B (S)$ (ALL PEG CONFIGURATIONS)

STYLE
3



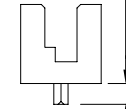
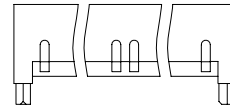
$R.0050 [0.127]$
 $\phi .0394 [1.000]$
 $.028 [0.71]$
 $.024 [0.61]$

STYLE
4



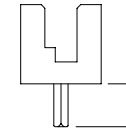
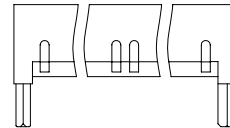
$\phi .034 \pm .001 [0.86 \pm .03]$
 $.008 [0.20] \times 45^\circ$
 $.0520^{+.0005}_{-.0010} [1.321^{+.013}_{-.025}]$
 $.0030 [0.076]$
 $.040^{+.001}_{-.002} [1.02^{+.03}_{-.05}]$
 $.008 \pm .003 [0.20 \pm .08]$
 $.058 \pm .003 [1.47 \pm .08]$

STYLE
5



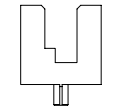
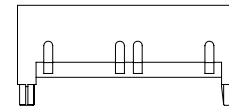
$.0470^{+.0005}_{-.0010} [1.194^{+.013}_{-.025}]$
 $.0470^{+.0005}_{-.0010} [1.194^{+.013}_{-.025}]$
 $.040^{+.001}_{-.002} [1.02^{+.03}_{-.05}]$
 $.040^{+.001}_{-.002} [1.02^{+.03}_{-.05}]$

STYLE
6
SEE NOTE 9



$.0520^{+.0005}_{-.0010} [1.321^{+.013}_{-.025}]$
 $.0520^{+.0005}_{-.0010} [1.321^{+.013}_{-.025}]$
 $.040^{+.001}_{-.002} [1.02^{+.03}_{-.05}]$
 $.040^{+.001}_{-.002} [1.02^{+.03}_{-.05}]$

STYLE
7



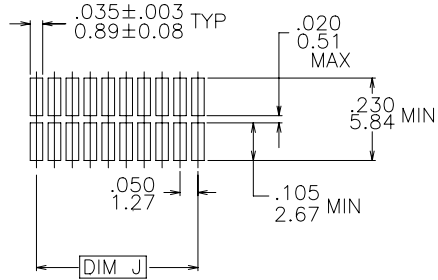
$.0065 \pm .001 [0.165 \pm .025]$
 $\phi .0400 [1.02]$
 $R.002 [0.05] \text{ MAX}$
 $.052 \pm .001 [1.32 \pm .025]$

mat'l. code SEE NOTES				surface ISO 1302 <input checked="" type="checkbox"/>	tolerance ISO 406 ISO 1101	projection 	product family RIB CAGE
ltr	ecm no	dr	date	tolerances unless otherwise specified		INCH/MM	title RIB CAGE III SMT VERT. HEADER ASS'Y
AD				angles	linear		scale 1:1
				$0^\circ \pm 2'$	$.XX \pm .01 / .XX \pm 0.3$ $.XXX \pm .005 / .XXX \pm 0.13$ $.XXXX \pm .0020 / .XXXX \pm 0.051$		dwg no 95781
		dr	M. CORNMAN	6/07/95			sheet 3 of 6
		engr	D. WHITING	6/07/95			size A3
		chr	D. WHITING	6/07/95			
		appd	D. WHITING	6/07/95			type Product Customer Drawing
sheet index	revision sheet						

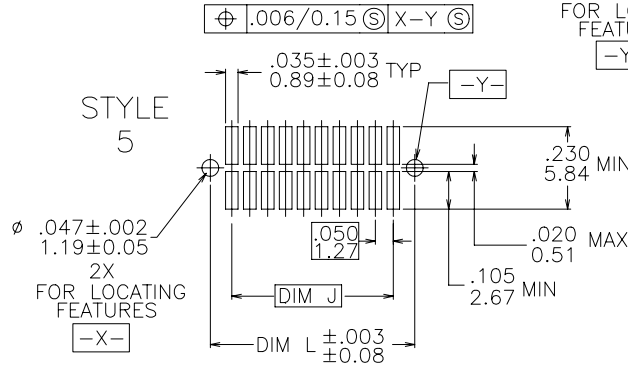
PRODUCT NUMBER
SEE TABLE

RECOMMENDED PCB MOUNTING PAD PATTERN

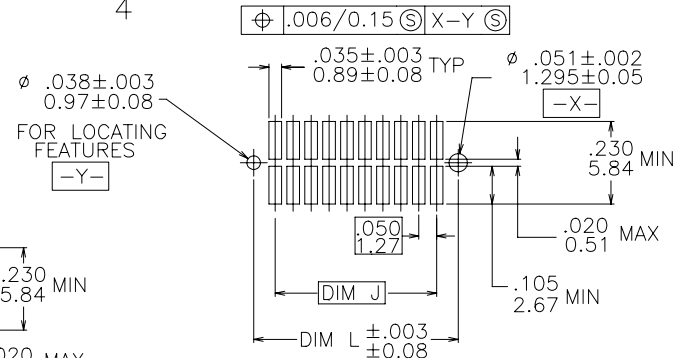
STYLE 1



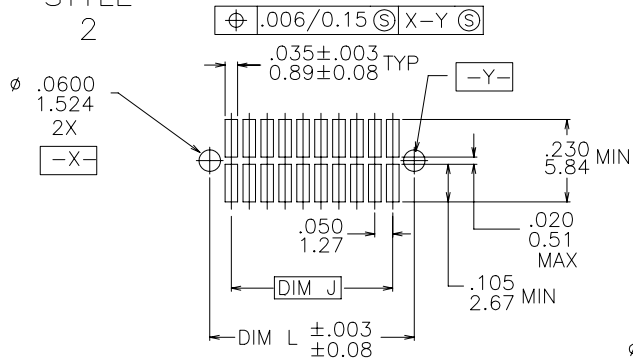
STYLE 5



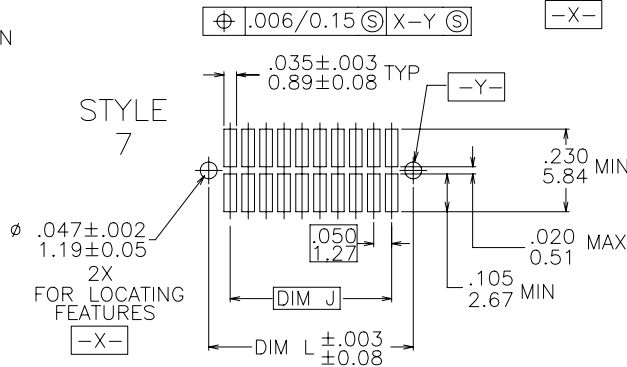
STYLE 4



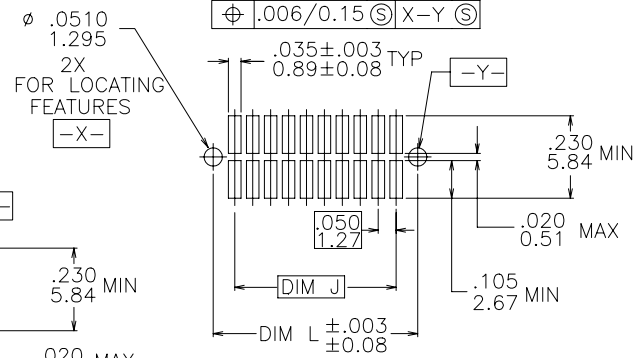
STYLE 2



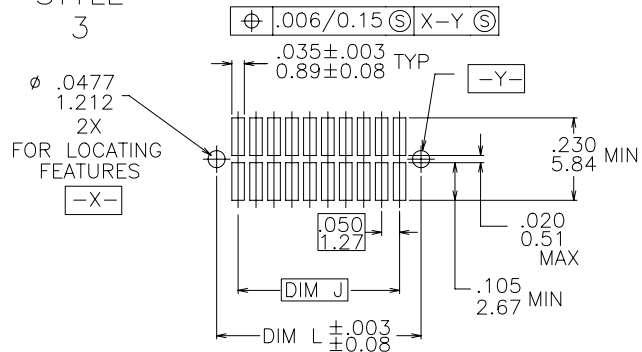
STYLE 7



STYLE 6



STYLE 3



mat'l. code		surface	tolerance	projection	product family
SEE NOTES		ISO 1302	ISO 406 ISO 1101		RIB CAGE
ltr	ecn no	dr	date	title	
AD				RIB CAGE III SMT VERT. HEADER ASS'Y	
tolerances unless otherwise specified				linear	scale 1:1
				angles	
				0°±2'	
		dr	M. CORNMAN	6/07/95	sheet 4 of 6
		enr	D. WHITING	6/07/95	size
		chr	D. WHITING	6/07/95	A3
		appd	D. WHITING	6/07/95	type
					Product Customer Drawing
sheet	revision				
index	sheet				

PRODUCT NUMBER NOTE 1,4A & 4B	DIM P HEIGHT ABOVE BOARD (REF.)	HOLDDOWN STYLE
72428-1XX	.244/6.20	1
73546-1XX	.364/9.25	1
73547-1XX	.364/9.25	2
73548-1XX	.364/9.25	4
84700-1XX	.226/5.74	7
84701-1XX	.298/7.57	7
84734-1XX	.364/9.25	7
87401-1XX	.226/5.74	6
87409-1XX	.226/5.74	2
87849-1XX	.226/5.74	1
88566-1XX	.260/6.60	2
90098-1XX	.298/7.57	2
90863-1XX	.226/5.74	1
91036-1XX	.364/9.25	5
91423-1XX	.226/5.74	2
91855-1XX	.226/5.74	5
92099-1XX	.226/5.74	4
92412-1XX	.298/7.57	4
93206-1XX	.226/5.74	3
93221-1XX	.298/7.57	1
93289-1XX	.298/7.57	5

TABLE A

* CUSTOMER SPECIAL

SEE NOTE 10

*

NOTES:

- ①. XXXXX-XXXLF
LEAD FREE OPTION (NOTE 11& 13)
NUMBER OF POSITIONS (NOTE 2)
- ②. NUMBER OF POSITIONS = 05 THRU 50 IN 5 POS INCREMENTS.
(EXAMPLE : 105=10 POS., 110=20 POS. ETC.)
- ③. REQUIRED ON -X40,-X45 & -X50 POSITION PARTS ONLY.
4. PACKAGING :
A. ANTISTATIC TUBES. SEE TABLE A
B. ADD "CT" TO END OF DASH NUMBER FOR CONNECTOR WITH VACUUM CAP IN ANTISTATIC TUBES.
EX. : XXXXX-1XXCT
C. PRESSURE SEALED TAPE AND REEL. SEE TABLE C FOR AVAILABLE PART NUMBERS.
- ⑤. HOUSING MATERIAL :
GLASS FILLED THERMOPLASTIC FLAME RETARDANT PER UL 94V-0.
COLOR : NATURAL
- ⑥. TERMINAL PLATING :
30u"/.76u HARD Au OVER 50u"/1.27u Ni ON CONTACT ZONES.
100u"/2.54u PURE TIN OVER 50u"/1.27u Ni IN SOLDERING ZONES.
- ⑦. MOLDING FLOW RESTRICTOR QUANTITY AND LOCATION IS MANUFACTURING OPTION.
- ⑧. VACUUM CAP SLOT REQUIRED ON ALL SIZES, SLOT MAY BE LOCATED ON OPPOSITE SIDE FOR 2 X 5.
- ⑨. STYLE 6 IS NOT AVAILABLE IN TAPE AND REEL.
- ⑩. 90863-1XX IS PACKAGED ONLY IN TAPE AND REEL.
- ⑪. ADD LF SUFFIX AT THE END OF PART NUMBER FOR LEAD FREE OPTION.
12. THE HOUSING WILL WITHSTAND EXPOSURE TO 260°C PEAK TEMPERATURE FOR 20 SECONDS IN A CONVECTION, INFRA-RED OR VAPOR PHASE REFLOW OVEN. SEE APPLICATION NOTE/PROCEDURES IF THEY ARE AVAILABLE.
- ⑬. THIS PRODUCT MEETS EUROPEAN UNION DIRECTIVES AND OTHER COUNTRY REGULATION AS DESCRIBED IN GS-22-008.

mat'l. code		surface		tolerance		projection		product family	
SEE NOTES		ISO 1302		ISO 406 ISO 1101				RIB CAGE	
ltr	ecn no	dr	date	tolerances unless otherwise specified		title			
AD				angles	linear	INCH/MM		RIB CAGE III SMT VERT. HEADER ASS'Y	
				0°±2'		scale 1:1		dwg no	
				dr	M. CORNMAN	6/07/95		sheet 5 of 6	
				enrg	D. WHITING	6/07/95		size	
				chr	D. WHITING	6/07/95		A3	
				appd	D. WHITING	6/07/95		type	
sheet index		revision sheet						Product Customer Drawing	

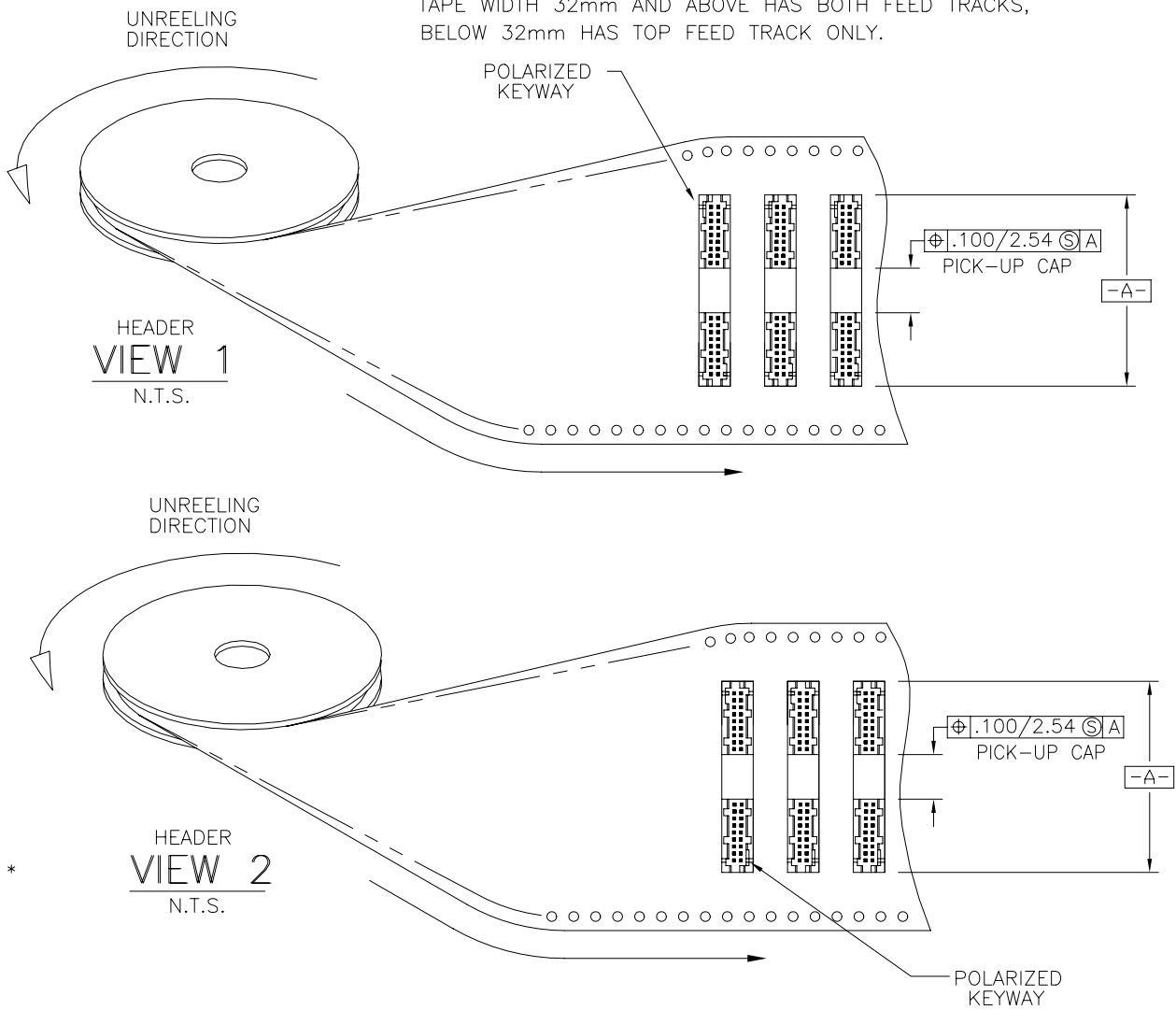
PRODUCT NUMBER NOTE 11,4C	QTY. REEL	TAPE WIDTH PITCH MM	CONNECTOR ORIENTATION IN TAPE POCKET
72428-120TR	500	44/12	VIEW 1
73547-110TR		24/12	
84700-105TR		24/12	
84700-135TR		56/12	
87409-115TR		44/12	
87409-120TR		44/12	
87409-125TR		56/12	
87409-130TR		56/12	
87409-140TR		72/12	
87849-110TR		24/12	
87849-115TR		44/12	
87849-120TR		44/12	
87849-125TR		56/12	
87849-130TR	500	56/12	
88566-110TR	500	24/12	
88566-115TR	500	44/12	
88566-130TR	500	56/12	
90863-110		24/12	
90863-115		44/12	VIEW 1
90863-115REV		44/12	VIEW 2
90863-120		44/12	VIEW 1
90863-125		56/12	
90863-130		56/12	
91036-110P		24/16	
93206-115TR	500	44/12	
93221-105TR	400	24/12	
93221-110TR	400	32/12	
93221-125TR	400	56/12	VIEW 1

TABLE C

* CUSTOMER SPECIAL
NO VACUUM CAP

REFERENCE ONLY :

TAPE WIDTH 32mm AND ABOVE HAS BOTH FEED TRACKS,
BELOW 32mm HAS TOP FEED TRACK ONLY.



mat'l. code		surface	tolerance	projection	product family
SEE NOTES		ISO 1302	ISO 406 ISO 1101		RIB CAGE
ltr	ecm no	dr	date	tolerances unless otherwise specified	title
AD				linear	RIB CAGE III SMT VERT. HEADER ASS'Y
				angles	scale 1:1
				0°±2'	dwg no
		dr	M. CORNMAN	6/07/95	sheet 6 of 6
		enr	D. WHITING	6/07/95	size
		chr	D. WHITING	6/07/95	95781
		appd	D. WHITING	6/07/95	A3
sheet index					type
revision sheet					Product Customer Drawing

X-ON Electronics

Largest Supplier of Electrical and Electronic Components

Click to view similar products for [Headers & Wire Housings](#) category:

Click to view products by [Amphenol](#) manufacturer:

Other Similar products are found below :

[95000-104TRLF](#) [10135584-644402LF](#) [DF62W-EP2022PCA](#) [95000-106TRLF](#) [DF62W-2022SCA](#) [DF62W-EP2022PC](#) [2203348](#) [DF62W-2022SC](#) [1084018](#) [1029039](#) [1084017](#) [802-10-012-10-002000](#) [1112640](#) [1112639](#) [891-007-9SS-BST1T](#) [000-34000](#) [0008550134](#) [0009482033](#) [0009507031](#) [57102-F02-18ULF](#) [57102-S06-03LF](#) [57202-S52-04LF](#) [PCN6-15S-2.5E](#) [0039019024](#) [58102-G61-06LF](#) [582553-1](#) [0009485154](#) [0009508121](#) [0022285053](#) [0050291907](#) [018731A](#) [LY20-4P-DT1-P1E-BR](#) [02.125.8002.8](#) [60101931](#) [60598-1 \(Cut Strip\)](#) [M1625-3R/100](#) [61062-3](#) [61082-181009](#) [CSU011177004](#) [636-1427](#) [638009-1](#) [641938-9](#) [641991-4](#) [644168-1](#) [644827-2](#) [647662-1](#) [65039-019ELF](#) [65692-001LF](#) [65781-018](#) [65781-047](#)