



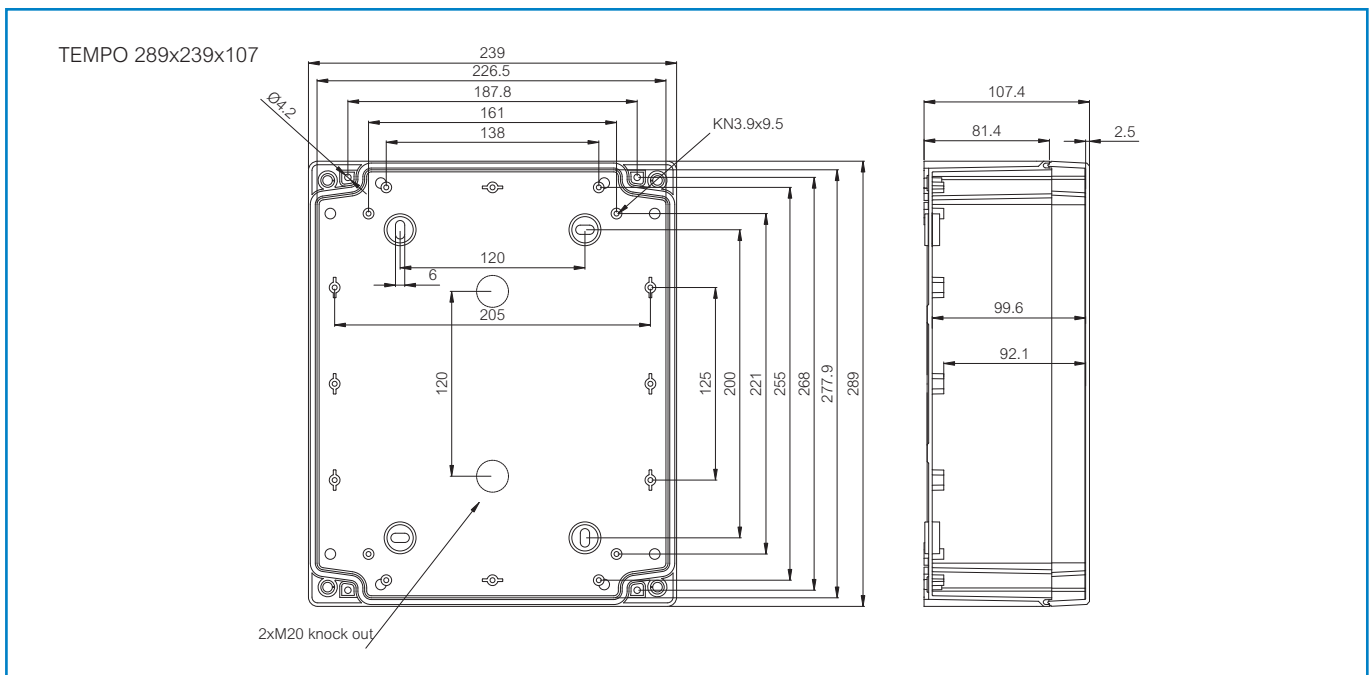
Order symbol: TA292411
Product nbr: 5814003
Description: Enclosure, ABS
Remarks: Grey cover

EAN: 6418074060754
EI. number:
 Finland: 3435688
 Electric No. Denmark: 8212035069
 Electric No. Sweden: 5814003

Including: Base with PUR gasket and screws for mounting plate/DIN-rail, cover with polyamide cover screws and plastic hinges.

Sample photo

| Dimensions: | | | | Accessories: | |
|-------------------------------------|----------------------|--------|-----|--|-----------------------|
| Length | Width | Height | | | |
| mm: | 289 | 239 | 107 | DR 215 | DIN-35 Mounting rail |
| inch: | 11.4 | 9.4 | 4.2 | DR 265 | DIN-35 Mounting rail |
| Materials: | | | | FP 10674 | |
| Material: | ABS | | | DPS 14553 | Grey sealing plug set |
| Base colour: | RAL 7035 -light grey | | | Rating: | |
| Cover screws material: | Polyamide | | | Ingress Protection (EN 60529): IP65 | |
| Cover colour: | RAL 7035 -light grey | | | Impact Resistance (EN 62262): IK07 | |
| Cover screws colour: | Grey | | | Electrical insulation: Totally insulated | |
| Gasket material: | Polyurethane | | | Halogen free (DIN/VDE 0472, Part 815): 1 | |
| Temperatures: | | | | Flammability Rating: UL 94 HB | |
| Temperature °C (short term): | -40 ... 80 °C | | | Glow Wire Test (IEC 695-2-1) °C: 650 | |
| Temperature °C (continuous): | -40 ... 60 °C | | | Certificates: | |
| Temperature °F (short term): | -40 ... 175 °F | | | SGS Fimko | |
| Temperature °F (continuous): | -40 ... 140 °F | | | | |
| Accessories: | | | | | |
| MP 2924 | Mounting plate | | | | |



X-ON Electronics

Largest Supplier of Electrical and Electronic Components

Click to view similar products for [Enclosures, Boxes, & Cases](#) category:

Click to view products by [Fibox](#) manufacturer:

Other Similar products are found below :

[CR-425 PAINTED](#) [585-R-WH-PK](#) [M-10-PLATED](#) [60221-01](#) [60566-01-000](#) [HPL-9VB BATT DOOR](#) [M-16-LID-PLATED](#) [M18-PLTD](#) [M-21-LID-PLATED](#) [M-21-PLATED](#) [M-23-PLATED](#) [CU-281-MB](#) [6711GSKT](#) [71884-29-028](#) [LH45-100 Black](#) [7200B](#) [72868-510-000](#) [CNS-0000 Black](#) [72883-510-000](#) [CNS-0101 Black](#) [72906-510-000](#) [CNS-0407 Black](#) [73091-510-000](#) [CNM-0000-BLACK Kit](#) [73092-510-000](#) [CNM-0101 Black](#) [73108-510-000](#) [CNL-0303 Black](#) [73395-510-039](#) [CNS-0006 Bone](#) [74257-510-000](#) [CNL-0004](#) [MDC-1183-PLAIN-ALUM](#) [MDC-1183-PTD](#) [MDC-13104-PLAIN-ALUM](#) [MDC-211 - PAINTED IVORY/BEIGE](#) [MDC-321-PTD](#) [MDC-432-PLAIN-ALUM](#) [MDC-973-PTD](#) [76](#) [77153-01-028](#) [FLX6030](#) [83535-01-508](#) [PS-11296-G](#) [PS-11298-B](#) [116-508](#) [120-407](#) [120-412](#) [120-909](#) [120-455](#) [R272-100-000](#) [120-910](#) [R501-001-010](#) [R508-080-000](#) [R508-160-000](#) [R530-120-000](#) [R530-122-000](#) [R530-200-000](#) [R531-160-000](#) [R531-200-000](#) [R582-080-100](#)