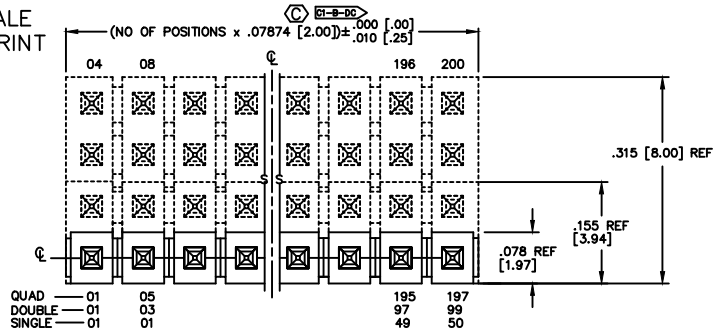


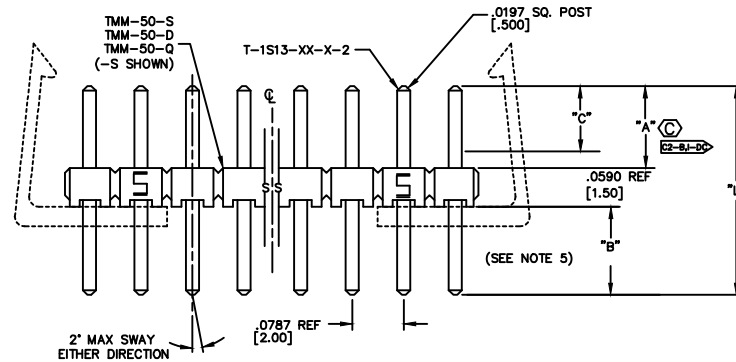
REVISION AV

DO NOT SCALE FROM THIS PRINT

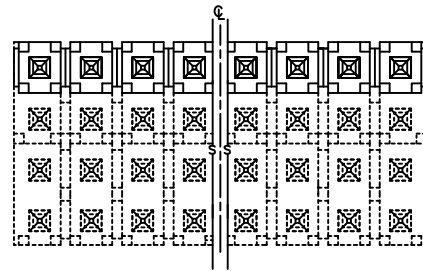
FIG. 1



QUAD — 01 05
DOUBLE — 01 03
SINGLE — 01 01



2" MAX SWAY EITHER DIRECTION



DIMENSIONS ARE IN INCHES UNLESS OTHERWISE NOTED TOLERANCES ARE:		TITLE: 2mm TERMINAL STRIP ASSEMBLY	DWG NO: TMM-1XX-XX-XX-X-XX-XXX
ONE PLACE DECIMALS ± [2.5]	THREE PLACE DECIMALS ± .005 [0.13]	ANGLES ± 2°	SHEET 1 OF 2
TWO PLACE DECIMALS ± 0.1 [2.5]	FOUR PLACE DECIMALS ± 0.020 [0.5]		

** -MW OPTION, DO NOT DESIGN IN. SAMTEC WILL ONLY SUPPORT EXISTING BUSINESS 2/05/02.

TMM-1XX-XX-XX-X-XX-XXX
NO. OF POSITIONS -01 THRU -50
TERMINAL SPEC SEE TABLE 1

PLATING SPECIFICATION

- G: 10μ" GOLD IN CONTACT AREA, 10μ" GOLD TAIL
- T: MATTE TIN CONTACT AND TAIL
- S: 30μ" SELECTIVE GOLD IN CONTACT AREA, MATTE TIN ON TAIL
- L: 10μ" SELECTIVE GOLD IN CONTACT AREA, MATTE TIN ON TAIL
- F: 3μ" FLASH SELECTIVE GOLD IN CONTACT AREA, MATTE TIN ON TAIL
- H: 30μ" HEAVY GOLD IN CONTACT AREA, 3μ" ON TAIL
- SM: 30μ" SELECTIVE GOLD IN CONTACT AREA, MATTE TIN ON TAIL
- TM: MATTE TIN CONTACT AND TAIL
- LM: 10μ" LIGHT SELECTIVE GOLD, MATTE TIN ON TAIL
- MT: MATTE TIN ON TAIL
- FM: 3μ" FLASH SELECTIVE GOLD IN CONTACT AREA, MATTE TIN ON TAIL

- OPTION
POLARIZATION SPECIFY POS -XXX AS POS TO BE OMITTED
- OPTION
** -MW: METAL WASHER (-D & -Q BODY SPECS ONLY) (SEE FIG. 2 SHT. 2) (30 POS PER ROW MAX) (SEE TABLE 2 PAGE 2)
- RC: RETAINING CLIP FOR IDC USE LTC-09, DOUBLE ROW ONLY, REQUIRES 4 POSITIONS MINIMUM, NOT FOR USE WITH -MW OPTION, SEE NOTES 9 & 10.

- BODY SPECIFICATION
- S: SINGLE (TMM-50-S)
 - D: DOUBLE (TMM-50-D)
 - Q: QUAD (TMM-50-Q)

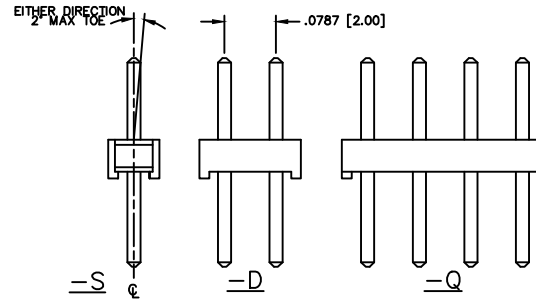


TABLE 1

SUFFIX	TERMINAL	POST "A" IN. [MM]	TAIL "B" IN. [MM]	CONTACT AREA "C" IN. [MM]	STRAIGHT "L" (COVERALL LENGTH)
-01	T-1S13-20-XX-2	.126 [3.20]	.138 [3.50] REF	.100 [2.54] REF	.323 [8.20] REF
-02	T-1S13-20-XX-2	.146 [3.70]	.118 [3.00] REF	.100 [2.54] REF	.323 [8.20] REF
-03	T-1S13-20-XX-2	.158 [4.00]	.106 [2.70] REF	.100 [2.54] REF	.323 [8.20] REF
-04	T-1S13-20-XX-2	.075 [1.90]	.090 ± .010 [2.28 ± .25] (SEE NOTE 5)	.100 [2.54] REF	.323 [8.20] REF "BEFORE SHEAR"
-05	T-1S13-21-XX-2	.085 [1.85]	.090 ± .010 [2.28 ± .25] (SEE NOTE 5)	.080 [2.03] REF	.323 [8.20] REF "BEFORE SHEAR"
-06	T-1S13-02-XX-2	.126 [3.20]	.192 [4.88] REF	.100 [2.54] REF	.377 [9.58] REF

NOTES:

1. MAX. ALLOWABLE BOW: .005 IN/IN [mm/mm] AFTER ASSEMBLY.
2. MAX. PIN ROTATION IN BODY: 2°
3. PUSHOUT FORCE SHALL BE 1 lb MIN.
4. (C) REPRESENTS A CRITICAL DIMENSION.
5. TAIL WILL BE SHEARED ON -04 & -05, REFERENCE TABLE 1.
6. MAX CUT FLASH .010 [0.25]
7. MAX SHEAR BURR .003 [0.8]
8. ORIENTATE PINS TO PREVENT BANDOLIER MARKS FROM SHOWING IN THE POST AREA. (SEE TABLE 3)
9. APPROVED FOR WAVE SOLDER APPLICATION ONLY.
10. RETAINING CLIP FOR -06 LEAD STYLE ONLY.

CRITICAL DIMENSION INSPECTION TABLE	
ASSEMBLY OPERATION	IN-PROCESS INSPECTOR
FILL, T-1S13	C2*, C3
REPRESS METAL WASHER	C2*
MULTI CUT	C1
* WHERE APPLICABLE	

MATERIAL:
BODIES:
LIQUID CRYSTAL POLYMER
COLOR: BLACK
TERMINALS:
PHOSPHOR BRONZE, ALLOY

EXHSPROD ASSEMBLY 2MM TMM-ASM

samtec

520 PARK EAST BLVD. NEW ALBANY, INDIANA 47150
PHONE (812) 944-8733 P.O. BOX 1147
CODE 55322

MADE BY: REDINGER 11-2-90

TMM-1XX-XX-XX-X-XX-XXX
SHEET 1 OF 2

PROPRIETARY NOTE
THIS DOCUMENT CONTAINS SAMTEC'S PROPRIETARY INFORMATION AND IS NOT TO BE REPRODUCED OR TRANSMITTED IN ANY FORM OR BY ANY MEANS, ELECTRONIC OR MECHANICAL, INCLUDING PHOTOCOPYING, RECORDING, OR BY ANY INFORMATION STORAGE AND RETRIEVAL SYSTEM. SAMTEC ASSUMES NO LIABILITY FOR DAMAGES OF ANY KIND, INCLUDING CONSEQUENTIAL DAMAGES, ARISING FROM THE USE OF THIS DOCUMENT OR THE PRODUCTS DESCRIBED HEREIN.

DIMENSIONS ARE IN INCHES		UNLESS OTHERWISE NOTED	TOLERANCES ARE:
ONE PLACE DECIMALS ±.1[2.5]	THREE PLACE DECIMALS ±.005 [.13]	ANGLES	± 2°
TWO PLACE DECIMALS ±.01[.25]	FOUR PLACE DECIMALS ±.0020[.05]		

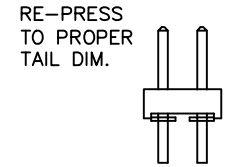
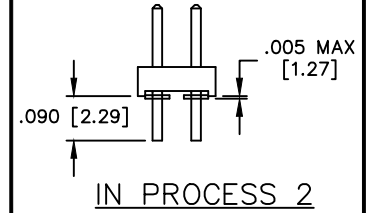
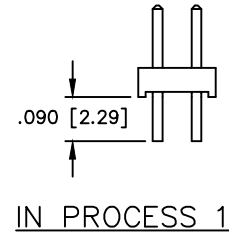
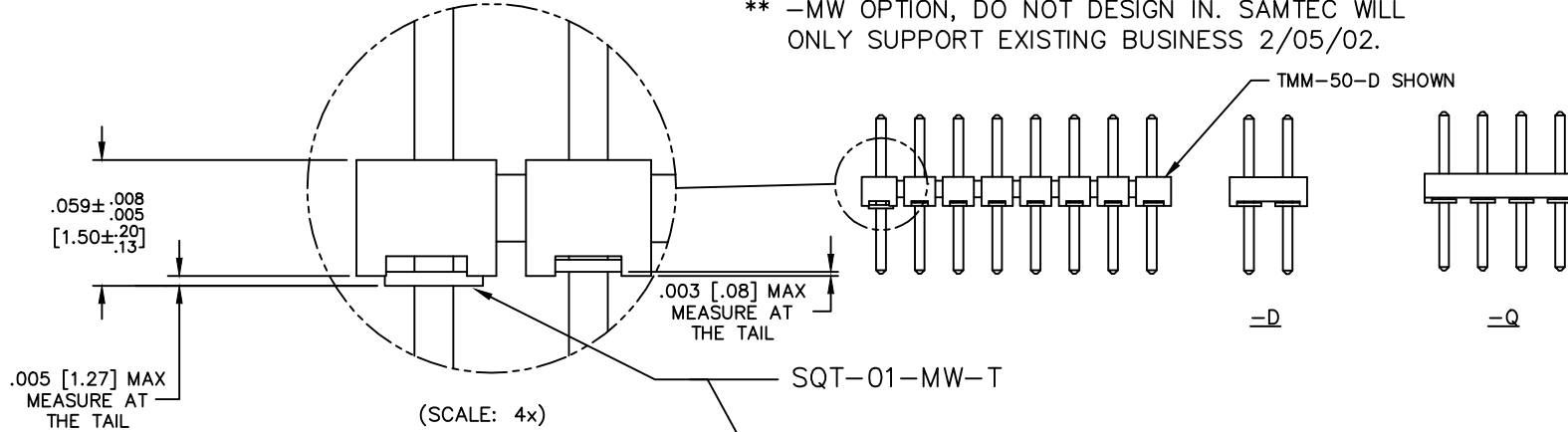
TITLE: 2mm
TERMINAL STRIP
ASSEMBLY

DWG NO: TMM-1XX-XX-XX-X-XX-XXX
SHEET 2 OF 2

FIG. 2

** -MW: METAL WASHER
(ONE PER POSITION)
(-D & -Q BODY SPECS ONLY)

** -MW OPTION, DO NOT DESIGN IN. SAMTEC WILL
ONLY SUPPORT EXISTING BUSINESS 2/05/02.



IN PROCESS 4
-T PLATING ONLY

LEAD STYLE	NUMBER OF BAND MARKS ALLOWED IN THE POST AREA			
	PIN A	PIN B	PIN C	PIN D
-01	0	0	0	0
-02	0	0	0	0
-03	1	1	1	1
-04	0	0	0	0
-05	0	0	0	0
-06	0	0	0	0

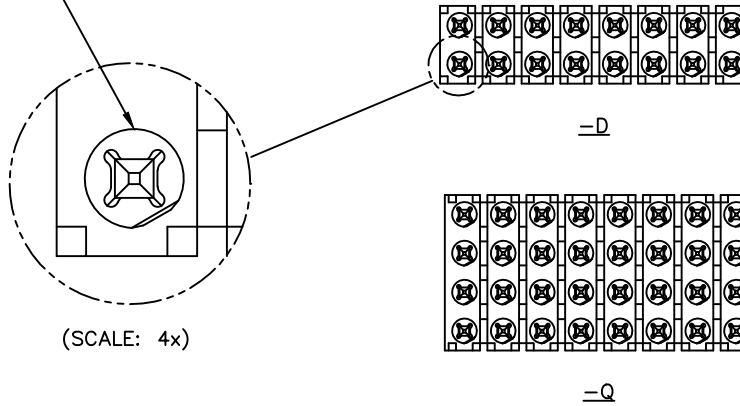
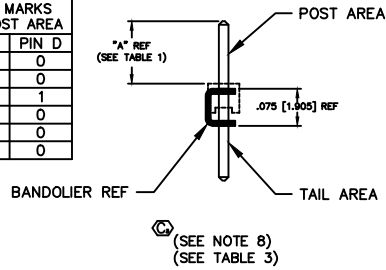
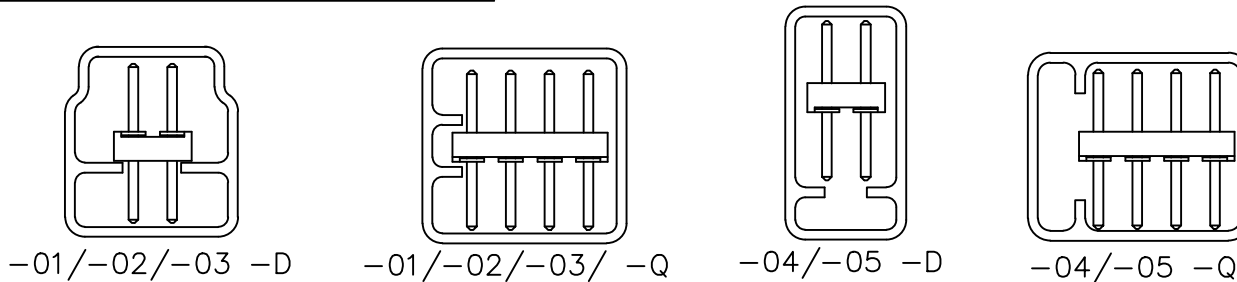


TABLE 2
-MW OPTION ONLY

SUFFIX	BODY SPEC	TUBE	PLUG (2)
-01			
-02			
-03	-D	PT-1-24-03-16	TP-03
-01			
-02			
-03	-Q	PT-1-24-03-38	TP-07
-04			
-05	-Q	PT-1-24-04-09	TP-07
-04			
-05	-D	PT-1-24-04-09	TP-07



PROPRIETARY NOTE
THIS DOCUMENT CONTAINS INFORMATION CONFIDENTIAL AND PROPRIETARY TO SAMTEC INC. AND SHALL NOT BE REPRODUCED OR TRANSFERRED TO OTHER DOCUMENTS OR DISCLOSED TO OTHERS OR USED FOR ANY PURPOSE OTHER THAN THAT FOR WHICH IT WAS OBTAINED WITHOUT THE EXPRESSED WRITTEN CONSENT OF SAMTEC INC.

EXISPROD\ASSEMBLY\2MM
TMM-ASM2
samtec
520 PARK EAST BLVD. NEW ALBANY, INDIANA 47150
PHONE (812) 944-6733 P.O. BOX 1147
CODE 55322

MADE BY:
REIDINGER 11-2-90

TMM-1XX-XX-XX-X-XX-XXX
SHEET 2 OF 2

PLOT SCALE 1=2

X-ON Electronics

Largest Supplier of Electrical and Electronic Components

Click to view similar products for [samtec](#) manufacturer:

Other Similar products are found below :

[ESQT-135-03-F-D-380](#) [FTSH-111-01-L-DV](#) [QTE-060-01-L-D-A](#) [MSAS-179-ZUGG-18](#) [MTSW-103-07-F-S-240](#) [MTSW-125-24-H-D-285](#)
[BCS-116-L-S-TE](#) [ERF8-020-05.0-S-DV-K-TR](#) [IDMD-10-T-12.00-A-G-R](#) [IPL1-112-01-L-D-K](#) [SFM-107-02-S-D-LC](#) [SFML-115-01-S-D](#)
[SFML-125-01-S-D](#) [LSHM-120-02.5-L-DV-A-N-K-TR](#) [ESQ-110-14-G-D](#) [ESQT-125-03-F-D-310](#) [SQW-120-01-F-D-VS-A](#) [FJH-50-D-12.00-4](#)
[CES-150-01-T-D](#) [QFS-052-01-SL-D-RA](#) [QTE-040-04-L-D-A](#) [QTH-020-04-F-D-DP-A-K-TR](#) [QTH-060-01-F-D-A](#) [QTH-090-04-L-D-A](#)
[TCSD-10-S-05.00-01-F-N](#) [TFM-110-02-S-D](#) [TFM-115-02-L-DH](#) [TFM-120-12-S-D-LC](#) [TFML-140-02-S-D](#) [TLW-107-05-G-D](#) [BDL-136-T-E](#)
[TSS-132-01-G-S](#) [TST-113-04-S-D-RA](#) [TSW-105-14-F-D](#) [BSE-040-01-F-D-A](#) [HPF-03-02-T-S](#) [IPD1-04-D-K](#) [TW-03-06-H-D-400-SM-A](#)
[RPCU-G-00.50-BMS-AM](#) [ERF8-020-01-L-D-RA-L-TR](#) [ERF8-025-05.0-L-DV-TR](#) [ERF8-040-05.0-L-DV-TR](#) [SL-120-T-10](#) [SLM-115-01-S-D](#)
[CLP-132-02-G-D](#) [TFC-125-02-F-D-A-K](#) [ISDF-25-D-M](#) [IPT1-105-01-S-D-RA](#) [IPL1-125-01-S-D-RA](#) [ICO-308-CGT](#)