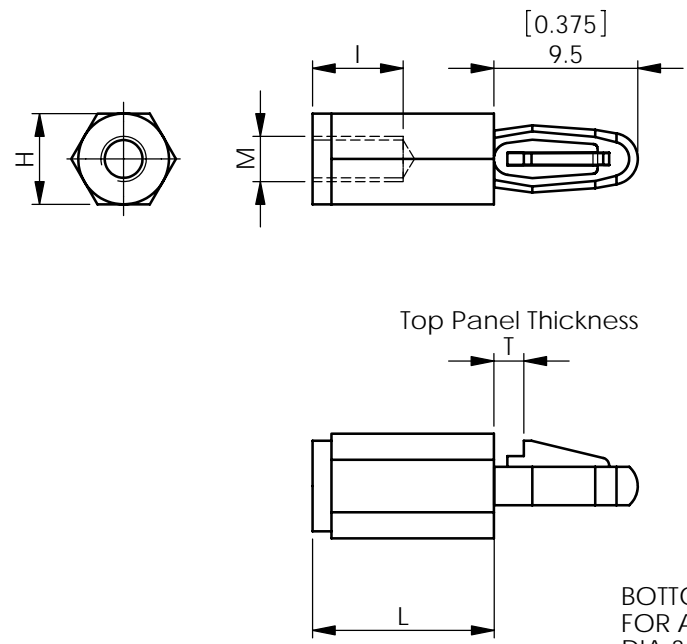
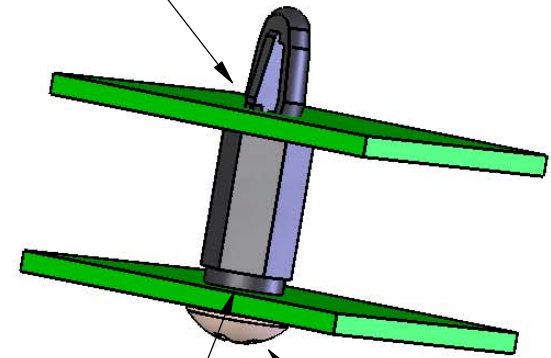


REV.	MODIFICATION.	DATE	DRN
03	ECN-05-081	26/07/05	NJB
04	ECN-07-193	08/11/07	SF
05	CO-2010035	08/02/08	TC

PART No.	M	H	T	L																
TCBN-T1-M3-6-L	M3	6.0 (0.237)	1.6 (0.063)	5.0 (0.197)	6.0 (0.236)	7.0 (0.276)	8.0 (0.315)	9.0 (0.355)	10.0 (0.394)	11.0 (0.434)	12.0 (0.473)	13.0 (0.512)	14.0 (0.552)	15.0 (0.591)	16.0 (0.630)	17.0 (0.670)	18.0 (0.709)	19.0 (0.749)	20.0-61.0 (0.788-2.402)	
TCBN-T1-M3-8-L	M3	8.0 (0.315)	1.6 (0.063)	5.0 (0.197)	6.0 (0.236)	7.0 (0.276)	8.0 (0.315)	9.0 (0.355)	10.0 (0.394)	11.0 (0.434)	12.0 (0.473)	13.0 (0.512)	14.0 (0.552)	15.0 (0.591)	16.0 (0.630)	17.0 (0.670)	18.0 (0.709)	19.0 (0.749)	20.0-61.0 (0.788-2.402)	
TCBN-T2-M3-6-L	M3	6.0 (0.237)	2.0 (0.079)	5.0 (0.197)	6.0 (0.236)	7.0 (0.276)	8.0 (0.315)	9.0 (0.355)	10.0 (0.394)	11.0 (0.434)	12.0 (0.473)	13.0 (0.512)	14.0 (0.552)	15.0 (0.591)	16.0 (0.630)	17.0 (0.670)	18.0 (0.709)	19.0 (0.749)	20.0-61.0 (0.788-2.402)	
TCBN-T2-M3-8-L	M3	8.0 (0.315)	2.0 (0.079)	5.0 (0.197)	6.0 (0.236)	7.0 (0.276)	8.0 (0.315)	9.0 (0.355)	10.0 (0.394)	11.0 (0.434)	12.0 (0.473)	13.0 (0.512)	14.0 (0.552)	15.0 (0.591)	16.0 (0.630)	17.0 (0.670)	18.0 (0.709)	19.0 (0.749)	20.0-61.0 (0.788-2.402)	
TCBN-T1-M4-8-L	M4	8.0 (0.315)	1.6 (0.063)	6.0 (0.236)	7.0 (0.276)	8.0 (0.315)	9.0 (0.355)	10.0 (0.394)	11.0 (0.434)	12.0 (0.473)	13.0 (0.512)	14.0 (0.552)	15.0 (0.591)	16.0 (0.630)	17.0 (0.670)	18.0 (0.709)	19.0 (0.749)	20.0-61.0 (0.788-2.402)		
TCBN-T2-M4-8-L	M4	8.0 (0.315)	2.0 (0.079)	6.0 (0.236)	7.0 (0.276)	8.0 (0.315)	9.0 (0.355)	10.0 (0.394)	11.0 (0.434)	12.0 (0.473)	13.0 (0.512)	14.0 (0.552)	15.0 (0.591)	16.0 (0.630)	17.0 (0.670)	18.0 (0.709)	19.0 (0.749)	20.0-61.0 (0.788-2.402)		
			I <sup>+0</sup> / <sub>-0.5</sub>	2.5 (0.099)	3.0 (0.118)	3.5 (0.138)	4.0 (0.158)	5.0 (0.178)	5.5 (0.197)	6.0 (0.236)	6.5 (0.256)	7.0 (0.276)	7.5 (0.296)	8.0 (0.315)	8.5 (0.335)	9.0 (0.355)	9.5 (0.375)	10.0 (0.394)		



TOP PCB -  
MOUNTING  
HOLE DIA  
4 +/- 0.08  
(0.158 +/- .003)



BOTTOM PCB MOUNTING HOLE  
FOR ANY PANEL THICKNESS:  
DIA 3.2 (0.125) FOR M3 SCREW  
DIA 4.8 (0.188) FOR M4 SCREW

FIXING SCREW  
NOT SUPPLIED

- NOTES:  
1) ALL PRIMARY DIMENSIONS IN mm,  
SECONDARY DIMENSIONS IN [INCHES].  
2) LENGTHS AVAILABLE IN INCREMENTS OF 1mm.

INFORMATION CONTAINED IN THIS DOCUMENT IS CONFIDENTIAL TO RICHCO INTERNATIONAL Co. Ltd. AND MAY NOT BE DISCLOSED OR REPRODUCED IN WHOLE OR PART WITHOUT THEIR WRITTEN CONSENT

METRIC GENERAL TOLERANCES ±0.25  
ARE PRIMARY UNLESS OTHERWISE STATED  
1 DECIMAL PLACE ±  
2 DECIMAL PLACES ±  
ANGULAR ±1°

IMPERIAL GENERAL TOLERANCES ±0.010  
ARE FOR REFERENCE UNLESS OTHERWISE STATED  
1 DECIMAL PLACE ±  
2 DECIMAL PLACES ±  
ANGULAR ±1°

MATERIAL: NYLON 6/6 (RMS-172) COLOUR: BLACK

TITLE: THREADED CIRCUIT BOARD SUPPORT, NYLON PART No: TCBN-TX-MD-H-L

DRG No: 04-133 NPR REF: SIZE A4

DRN NJB	DATE 26/10/04	CHKD RC	DATE 26/10/04	SCALE NTS	SHEET No 1 OF 1
------------	------------------	------------	------------------	--------------	--------------------

## X-ON Electronics

Largest Supplier of Electrical and Electronic Components

*Click to view similar products for [Electrical Enclosure Accessories](#) category:*

*Click to view products by [Richco](#) manufacturer:*

Other Similar products are found below :

[60121-06-028 C-325 Black](#) [71884-04-028 CM3-100 Black](#) [71884-18-028 LH43-200 Black](#) [71884-24-028 LH75-200 Black](#) [71885-01-028 CM6-150 Black](#) [72459-02-028 DM-3 BLACK](#) [81501-01-000 XPL, 9VB Black](#) [82402-01 PT-8 ALUM](#) [1335GSKT3](#) [14101FP-PK](#) [CB-1263-BT](#) [1611512-4](#) [HB-11498](#) [RC-7775](#) [HM BLACK PANEL](#) [61033-01-000](#) [115123-01-508 CN-RL RS](#) [115124-01-508 CN-XRL XRS](#) [115119-01-000 CN-RL RS](#) [115123-01-000 CN-RL RS](#) [60121-04-028 C-275 Black](#) [60128-01-072](#) [60222-01-028 CM6-225 Black](#) [60272-01-028 CM3-150 Black](#) [60851-01-028 CM69-120 Black](#) [62291-502-000-KEU-10-BLK](#) [62452-01-000 HML-9VB, EB Black](#) [71884-25-028 LH89-130 Black](#) [AXX2POSTBRCKT](#) [FUPMESK](#) [71884-23-028 LH75-130 Black](#) [1317GSKTSC](#) [8G813V40389](#) [DVA.1-10-15-M4-10-70](#) [DVC.1-60-49-60-M10-28-55](#) [DVC.1-15-8,5-15-M4-10-40](#) [DVC.1-20-12-30-M6-18-40](#) [DVC.1-30-18-25-M8-20-40](#) [DVC.1-35-31-15-M8-20-40](#) [DVC.1-35-31-15-M8-20-70](#) [DVC.1-75-60-40-M12-37-70](#) [DVC.2-30-22-20-M8-20-55](#) [DVC.2-40-30-25-M8-23-55](#) [DVC.2-75-60-40-M12-37-55](#) [DVC.2-21-16-22-M6-18-40](#) [DVC.2-40-20-48-M8-23-40](#) [DVC.2-40-32-50-M8-23-40](#) [DVC.2-20-14-19-M6-18-70](#) [DVC.2-25-18-20-M6-18-70](#) [DVC.3-20-14-20-M6-40](#) [DVC.3-20-14-30-M6-40](#)