

Emparro 20-100-240/24 available 28.02.2013

OUTPUT: 22...28 V DC

INPUT: 85...265 V AC/90...250 V DC

Current: 20 A

Image



- stable output voltage, short-circuit and overload protected
- Wide voltage input
- Protection IP20

Vicarious picture

Input

Voltage range	85...265 V AC/90...250 V DC
Input current	5.2 A (100 V AC); 2.2 A (240 V AC)
Inrush current after 1 ms	max. 13 A (230 V AC)
Power factor	0.94 (230 V AC)
External fuse	max. 20 A (T)
Frequency	50/60 Hz

Output

Output voltage	24 V DC (SELV), $\pm 1\%$; 24...28 V adjustable
Powerboost	+50 % (min. 4 sec.)
Constant current	23.6 A
Hold up time	min. 20 ms (230 V AC); 20 A (24 V DC)
Ripple	max. 50 mV rms
Short-circuit and overload protection	yes
Spikes	max. 200 mV p-p
LED display	LED (green): OK; LED (red): overload, overheating or short-circuit; LED (red): blinking, overheating or short-circuit
Parallel usage/serial usage	max.5 units

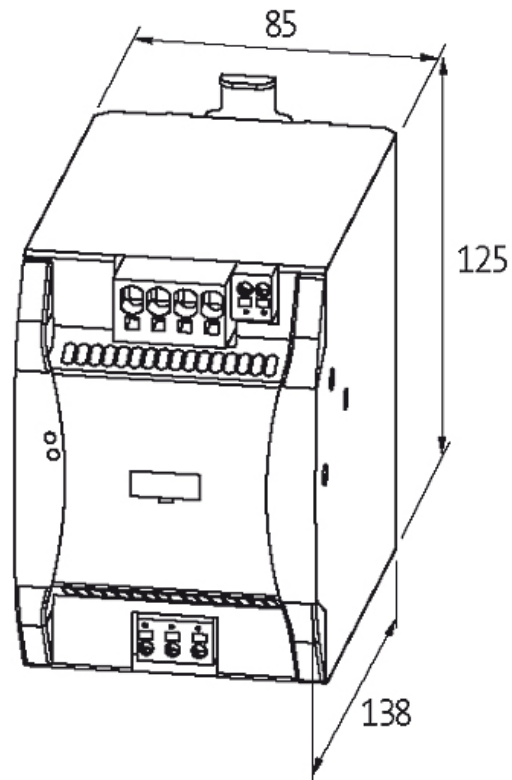
General data

Standards	
Temperature range	-25...+60 °C (storage temperature -40...+85 °C)
Relative humidity	5...95 %, no condensation
Mounting method	DIN-rail mountable TH35 (EN 60715)
Efficiency	93.8 % (230 V AC)

All data on this data sheet was compiled carefully.

Liability regarding correctness, completeness, and actuality is limited to gross negligence. Created: 11/12

Dimension drawing



X-ON Electronics

Largest Supplier of Electrical and Electronic Components

Click to view similar products for [DIN Rail Power Supplies](#) category:

Click to view products by [Murr Elektronik](#) manufacturer:

Other Similar products are found below :

[PS-3015](#) [PSP-480S48](#) [PSR-SD25](#) [PS-S6024](#) [DR-45-24](#) [DRP048V120W1BA](#) [DVP01PU-S](#) [DVP06AD-S](#) [DVP06XA-S](#) [DVDPNET-SL](#)
[DVPDT01-S](#) [DVPPS01](#) [DVPPS02](#) [KHNA30F-5](#) [KHNA60F-24](#) [S8JX-G01524](#) [S8JX-G01548C](#) [S8JX-G03512D](#) [S8VS-09024B-F](#) [PS-6012](#)
[PS9Z-5R1G](#) [PS-C24024](#) [PSC-9648](#) [5607189](#) [KHNA30F-24](#) [KHNA480F-24](#) [KHNA90F-12](#) [KHNA90F-24](#) [DVP08ST11N](#) [DVPACAB530](#)
[DVPCOPM-SL](#) [DVPEN01-SL](#) [DVPPF01-S](#) [S8JX-G10012](#) [S8JX-G15024](#) [CBI1210A](#) [SS14011524](#) [S8JX-G01505C](#) [S8TS-06024-E1](#) [PS-](#)
[S2012](#) [PSW-12024](#) [PS-UPS40](#) [PSC-6024](#) [S8VS-48024A-F](#) [PSD-A60W12](#) [96PS-A120WDIN](#) [PSD-A60W48](#) [S8JX-G03515CD](#) [PSD-](#)
[A40W12](#) [PSD-A40W24](#)