

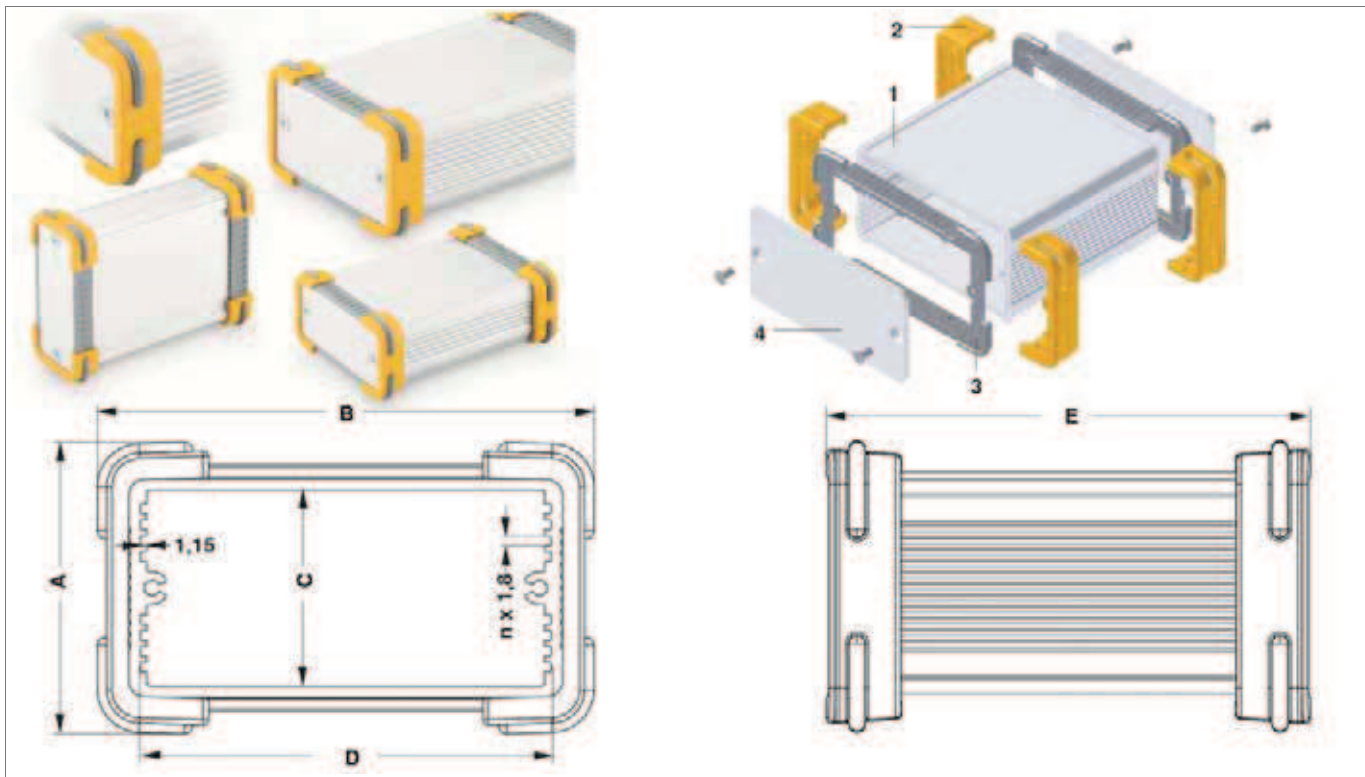
## Design case „Frame“

- universal aluminium tube case with integrated guide slots for application of non-standardised components or circuit boards
- modern design in combination with a shock proof plastic cover and sealing for the use as desk case
- application possibilities for front foils or key pads
- EMC compatible version due to electrically conductive surfaces and sealings upon request
- special designs and treatments, modifications and versions due to customers specifications
- further colours and surface treatments upon request

**E** = available internal lengths + 14 mm

### contents of delivery:

- 1** = 1 x basic profile
- 2** = 4 x plastic frame (similar **RAL 1007**)
- 3** = 2 x seal (similar **RAL 7005, no EMV**)
- 4** = 2 x cover plate (2 mm); mounting material



art. no.	dim. [mm]				
	A	B	C	D	n
<b>FR 55 16 ...</b>	24.0	63.6	11	43.1	1
<b>FR 55 25 ...</b>	33.0	63.6	20	51.0	3
<b>FR 55 35 ...</b>	43.0	63.6	30	51.0	7
<b>FR 69 28 ...</b>	36.0	77.7	23	65.1	5
<b>FR 80 42 ...</b>	53.5	91.0	36	75.2	9
<b>FR 94 32 ...</b>	40.0	102.9	27	90.3	7
<b>FR 105 52 ...</b>	63.5	116.0	46	100.3	13
<b>FR 120 42 ...</b>	53.5	131.0	36	115.2	9

please indicate:

... lengths

50 80 100 120 160 200 220 mm

... surface

**SA** = complete case black anodised

**ME** = complete case clear anodised

**MS** = case profile SA, cover panels ME

**M 39**

Design case Chac  
Design case Rail  
Miniature aluminium case  
Tube cases

→ M 38  
→ M 41  
→ M 25 – 29  
→ M 21

Universal tube cases → M 20  
Tube cases with Eurocards → M 23  
Cooling case → M 31 – 34  
Cover panels due to customer's specif. → M 44

## X-ON Electronics

Largest Supplier of Electrical and Electronic Components

*Click to view similar products for [Enclosures, Boxes, & Cases](#) category:*

*Click to view products by [Fisher](#) manufacturer:*

Other Similar products are found below :

[CR-425 PAINTED](#) [585-R-WH-PK](#) [M-10-PLATED](#) [60221-01](#) [60566-01-000](#) [HPL-9VB BATT DOOR](#) [M-16-LID-PLATED](#) [M18-PLTD](#) [M-21-LID-PLATED](#) [M-21-PLATED](#) [M-23-PLATED](#) [CU-281-MB](#) [6711GSKT](#) [71884-29-028](#) [LH45-100 Black](#) [7200B](#) [72868-510-000](#) [CNS-0000 Black](#) [72883-510-000](#) [CNS-0101 Black](#) [72906-510-000](#) [CNS-0407 Black](#) [73091-510-000](#) [CNM-0000-BLACK Kit](#) [73092-510-000](#) [CNM-0101 Black](#) [73108-510-000](#) [CNL-0303 Black](#) [73395-510-039](#) [CNS-0006 Bone](#) [74257-510-000](#) [CNL-0004](#) [MDC-1183-PLAIN-ALUM](#) [MDC-1183-PTD](#) [MDC-13104-PLAIN-ALUM](#) [MDC-211 - PAINTED IVORY/BEIGE](#) [MDC-321-PTD](#) [MDC-432-PLAIN-ALUM](#) [MDC-973-PTD](#) [76](#) [77153-01-028](#) [FLX6030](#) [83535-01-508](#) [PS-11296-G](#) [PS-11298-B](#) [116-508](#) [120-407](#) [120-412](#) [120-909](#) [120-455](#) [R272-100-000](#) [120-910](#) [R501-001-010](#) [R508-080-000](#) [R508-160-000](#) [R530-120-000](#) [R530-122-000](#) [R530-200-000](#) [R531-160-000](#) [R531-200-000](#) [R582-080-100](#)