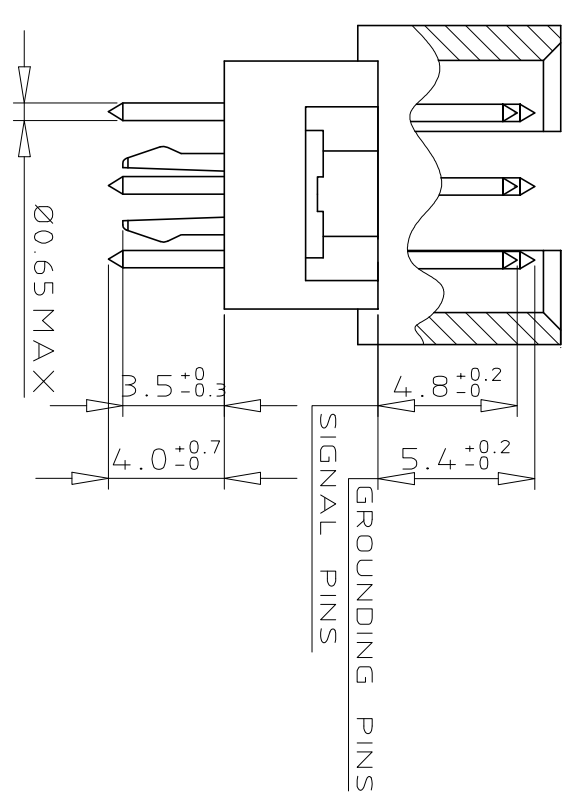
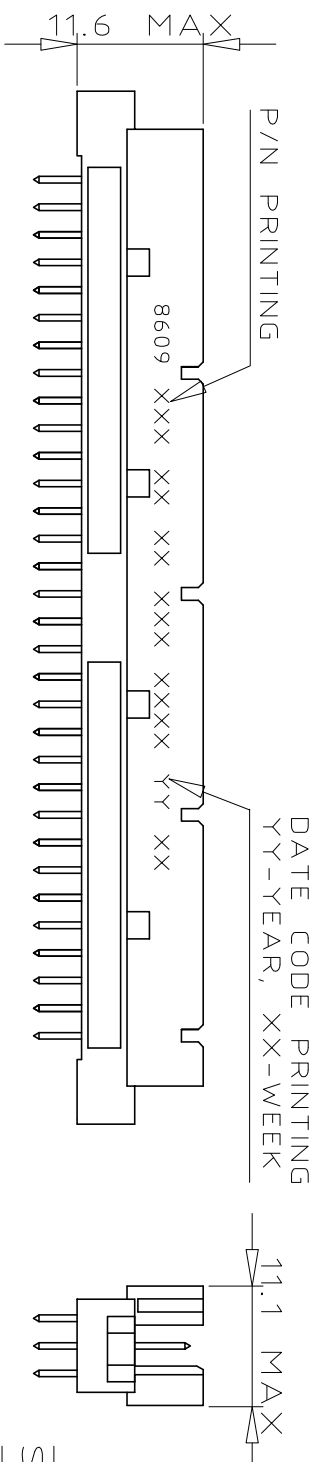
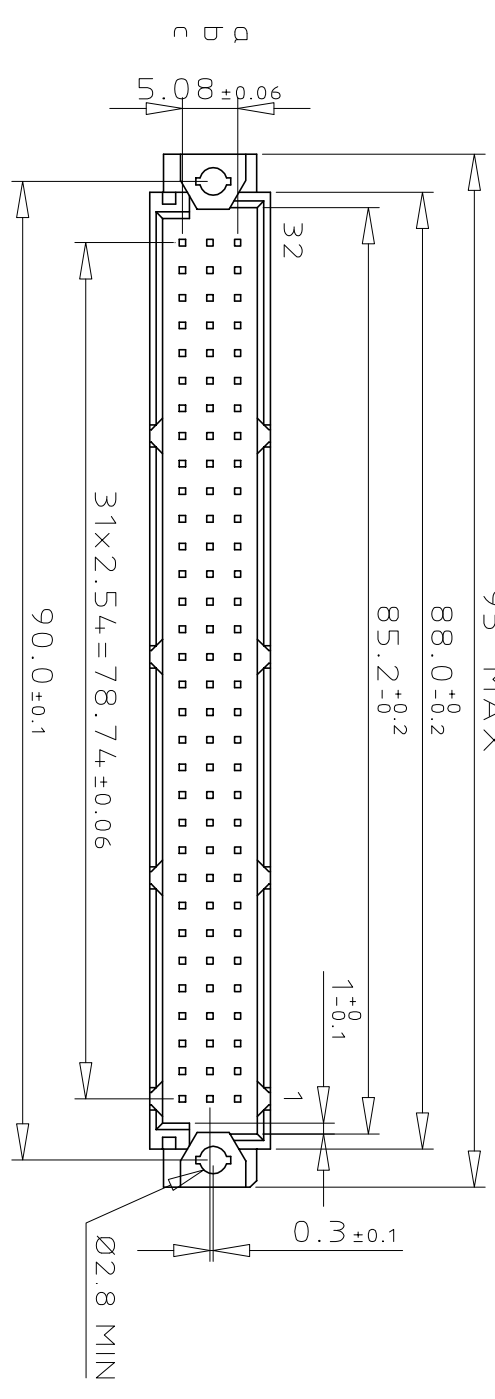


DIMENSIONS

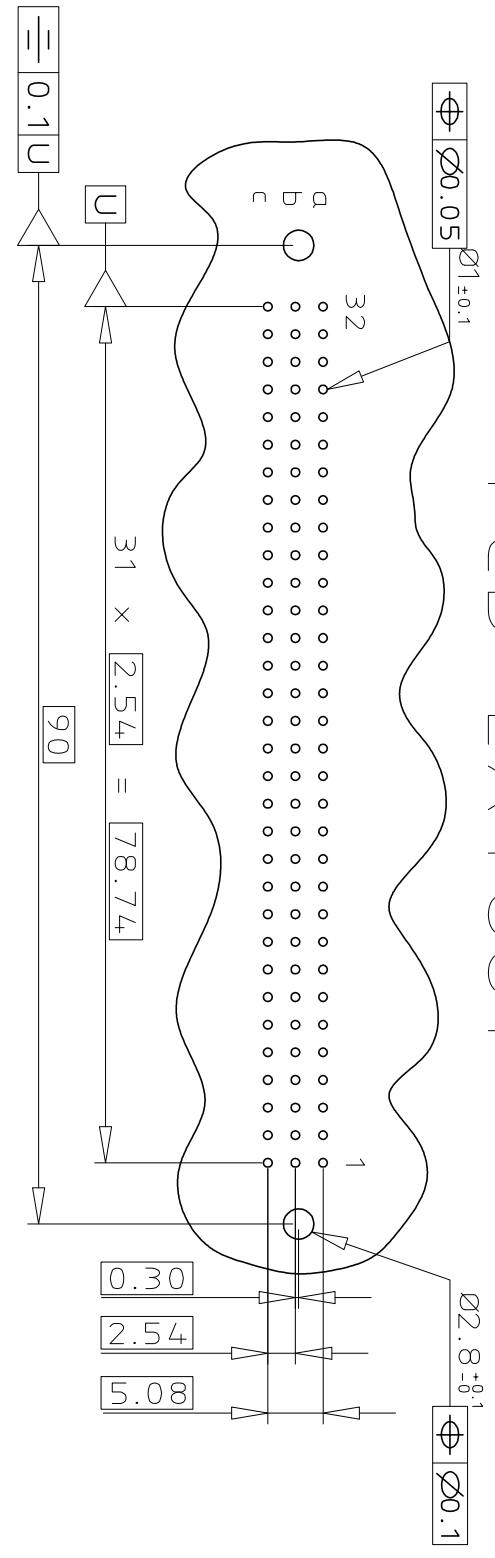


TERMINATION

ORDERING INFORMATION

SERIES	8609	3	96	7	8	14	7	4	5	UMLF	
ROWS FITTED WITH CONTACTS	Row a	b	c								96
NO. OF CONTACTS											
TYPE OF INSULATOR											
3 ROW MALE INSULATOR											
METHOD OF MOUNTING											
REVERSE MOUNTING - STYLE R											
TERMINATION											
STRAIGHT SPILL											
OPTIONS											
NO OPTION WITH HARPOONS											
PERFORMANCE CLASS											
DIN 41612 CLASS 3											
DIN 41612 CLASS 2											
DIN 41612 CLASS 1											
AS PER MIL C 55302 / JSS 50808											
PITCH PER ROW											
2.54 mm											
LEAD FREE VERSION - SPL LOADING											
UMLF											

PCB LAYOUT



CONTACT ARRANGEMENT

1	2	3	4	5	6	7	8	9	10	11	12	13	14	15	16	17	18	19	20	21	22	23	24	25	26	27	28	29	30	31	32		
✓	✓	✓	✓	✓	✓	✓	✓	✓	✓	✓	✓	✓	✓	✓	✓	✓	✓	✓	✓	✓	✓	✓	✓	✓	✓	✓	✓	✓	✓	✓	✓	✓	✓
✓	✓	✓	✓	✓	✓	✓	✓	✓	✓	✓	✓	✓	✓	✓	✓	✓	✓	✓	✓	✓	✓	✓	✓	✓	✓	✓	✓	✓	✓	✓	✓	✓	

STANDARD CONTACT
 EMPTY CAVITY
 FMLB CONTACT
 LMEB CONTACT

GENERAL CHARACTERISTICS & ROHS INFO

REFER DRAWING C-8609-0000A

mat'l. code	SEE DWG C-8609-0000A	surface	ISO 1302	tolerance	ISO 406	ISO 1101	projection	product family	8609
tr	ecn no dr	ddte	tolerances unless otherwise specified		0.X	±0.1	mm	title	DIN REVERSE HEADER
A	110-0130	KR	2010-06-11	linear	0.XX	±0.1	SCDLE 3:2	STRAIGHT SPILL	DIN 41612 STYLE R
sheet	revision	dr	engr	chr	pppd	BIJU K PAUL	2010-06-11	FCI	type Product Customer Drawing
index	sheet	1	A						

X-ON Electronics

Largest Supplier of Electrical and Electronic Components

Click to view similar products for [DIN 41612 Connectors](#) category:

Click to view products by [FCT Electronics](#) manufacturer:

Other Similar products are found below :

[09231126901](#) [PCN10F-24P-2.54DS\(72\)](#) [004.767](#) [02221602702](#) [024069](#) [602427301412000](#) [013275](#) [691327-1](#) [74670-0732](#) [74680-0340](#)
[75880-0015](#) [76453-0014](#) [86093159ALF](#) [923454](#) [QLC260R](#) [120X10099X](#) [120X10019X](#) [120X10089X](#) [120X10129X](#) [121A10039X](#)
[121A10309X](#) [122A10019X](#) [122A10029X](#) [122A10249X](#) [122A10669X](#) [122A11089X](#) [122A13089X](#) [121B10409X](#) [122A10089X](#)
[122A10129X](#) [122A10349X](#) [122A13359X](#) [1377391-4](#) [DIN-048CPC-SR1-MH](#) [1393583-2](#) [1393726-7](#) [140X10059X](#) [140X10129X](#) [143-1913-](#)
[000](#) [143-1908-000](#) [1484472-1](#) [173052](#) [2110070-1](#) [2110070-2](#) [CBC20T00-008FDS5-0-1-002VR](#) [983-0SE12-12P6](#) [17041102202](#) [172699-](#)
[5036](#) [173051](#) [20](#) [8457096](#) [010](#) [025](#)