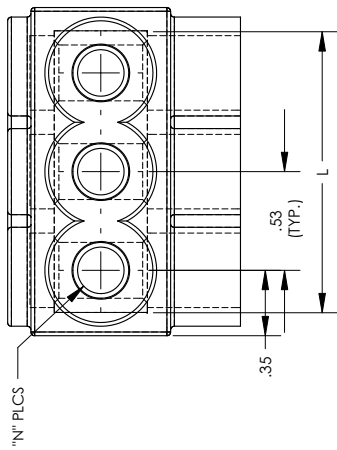
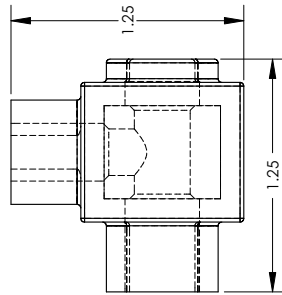
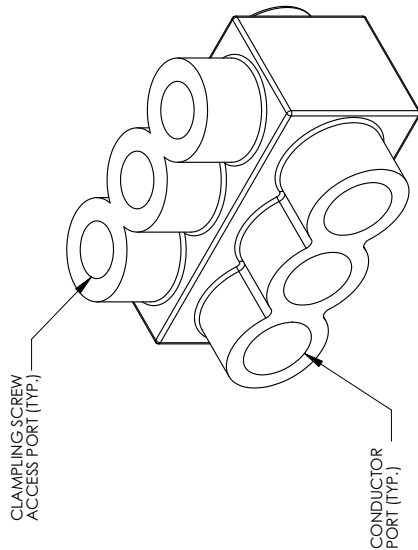
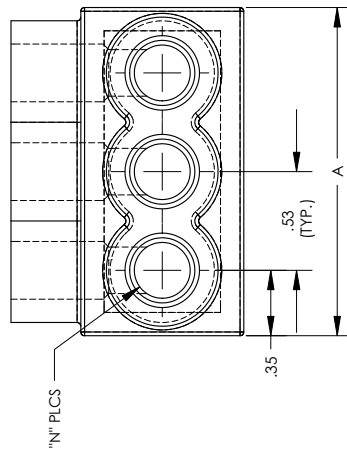


THIS COPY IS PROVIDED ON A RESTRICTED BASIS AND IS NOT TO BE USED IN ANY WAY DETRIMENTAL TO THE INTERESTS OF PANDUIT CORP.



THREE PORT CONNECTOR BLOCK SHOWN WITH PLASTIC CLOSURE PLUGS REMOVED. SEE TABLE FOR DIMENSIONS OF PARTS WITH ADDITIONAL PORTS



PANDUIT FINISHED GOODS P/N	CONDUCTOR RANGE	HEX KEY	SCREW QTY.	GAP (SCREW PORT) QTY.	GAP (WIRE PORT) QTY.	A	L	N	TIGHTENING TORQUE
PCSB2/0-2S-6	# 2/0 - #14 STR # 10 - #14 SOL	3/16	2	2	2	1.52	1.265	2	120 in/lb
PCSB2/0-3S-6Y		3/16	3	3	3	2.19	1.937	3	
PCSB2/0-4S-6Y		3/16	4	4	4	2.86	2.609	4	
PCSB2/0-5S-4Y		3/16	5	5	5	3.53	3.281	5	
PCSB2/0-6S-4Y		3/16	6	6	6	4.20	3.953	6	
PCSB2/0-8S-3Y		3/16	8	8	8	5.55	5.297	8	
PCSB2/0-10S-2Y		3/16	10	10	10	6.89	6.641	10	
PCSB2/0-12S-1Y		3/16	12	12	12	8.24	7.985	12	
PCSB2/0-14S-1Y		3/16	14	14	14	9.58	9.329	14	

NOTES:

- UL486A-J1486B LISTED, DUAL RATED CUBAL FOR ALUMINUM OR COPPER CONDUCTORS. MEETS OR EXCEEDS ANSI C119.4
- SEE TABLE FOR WIRE RANGE.
- STRIP LENGTH: .56 + .06/-0
- FOR TIGHTENING TORQUE SEE TABLE
- VOLTAGE RATING: 600 V. MAX. BUILDING WIRE, 1000 V. MAX. IN SIGNS & FIXTURES.
- TEMPERATURE RATING: 90 °C (C90AL).
- CONNECTOR BLOCK BODY ARE MADE FROM ALUMINUM. CONDUCTOR PORTS IN CONNECTOR BLOCK ARE PREFILLED WITH AN OXIDE-INHIBITING COMPOUND.
- CONNECTOR TO INCLUDE TIN PLATED ALUMINUM CLAMPING SCREWS FOR EACH CONDUCTOR PORT.
- INSULATION MATERIAL IS CLEAR PVC.
- CLAMPING SCREW ACCESS PORTS AND ALL WIRE ENTRY PORTS ARE PROVIDED WITH REMOVABLE PLASTIC CLOSURE PLUGS.
- ALL DIMENSIONS SHOWN ARE NOMINAL.
- ONLY ONE CONDUCTOR PER PORT ALLOWED.
- PACKAGE QTY: -12 = 12 PCS.  
-6 = 6 PCS.  
-4 = 4 PCS.  
-3 = 3 PCS.  
-2 = 2 PCS.
- THIS PART IS RoHS COMPLIANT



LISTED

PANDUIT CORP. TINLEY PARK, ILLINOIS										
MULTI-TAP INSULATED CONNECTORS										
PCSB2/0 SERIES SINGLE SIDED										
UNLESS OTHERWISE SPECIFIED, DIMENSIONAL TOLERANCES ARE:										
(X) ±										
(XXX) ±										
ANGLES ±										
SCALE 1.5:1										
DRAWN BY J/S										
DATE 08/99										
CHK'D RLS										
APP										
QA										
CUST										
ECN										
DESCRIPTION										
ADDED HEX KEY SIZE TO TABLE										
REV	DATE	BY	CHK							DESCRIPTION
03	11/09	JHNU	JHNU							ADDED HEX KEY SIZE TO TABLE

DWG	B
CAD FILE	
DRAWING NO / CAD FILE	C41523_03
SIZE	B

## X-ON Electronics

Largest Supplier of Electrical and Electronic Components

*Click to view similar products for [Terminals](#) category:*

*Click to view products by [Panduit](#) manufacturer:*

Other Similar products are found below :

[HT-13-10](#) [71M-250-32-NB](#) [01-2065-1-0216](#) [00581P0075](#) [M10-10RX](#) [M10BCK](#) [60205-1](#) [604200-1](#) [60598-1-CUT-TAPE](#) [60617-1-C](#) [60873-1](#) [M14-516R/SK](#) [M14-6RSX](#) [M18-10FLX](#) [M18-8FBX](#) [M18-8R/LX](#) [M18BCK](#) [61314-6-C](#) [61-S](#) [61-SN-A](#) [62-NBM-A](#) [63-S](#) [640179-1](#) [640917-2-CUT-TAPE](#) [6501550002](#) [66107-2-C](#) [66107-4-C](#) [696683-1](#) [696834-1](#) [696861-1](#) [696931-1](#) [696999-1](#) [M8-516RK](#) [M86700006](#) [MA250DMFMX-A](#) [701-2007](#) [701-2307](#) [701-7761-03](#) [70F-110-32-PB](#) [718-N-A](#) [71M-187-20-NBL](#) [71M-250-32-NBL](#) [72F-187-20-NBL](#) [72M-250-32-NBL](#) [7310](#) [73F-250-32](#) [73F-250-32-NBL](#) [73F-250-32-NL](#) [F14-10C](#) [F-1M](#)