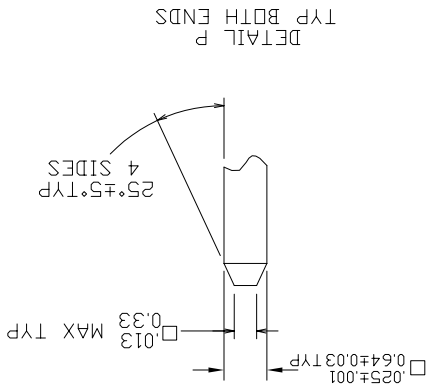
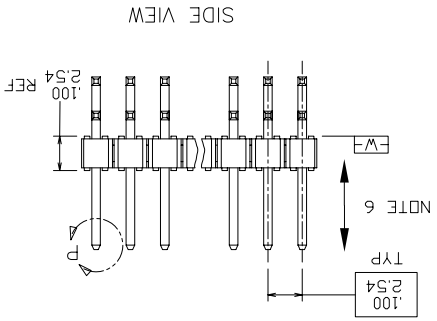
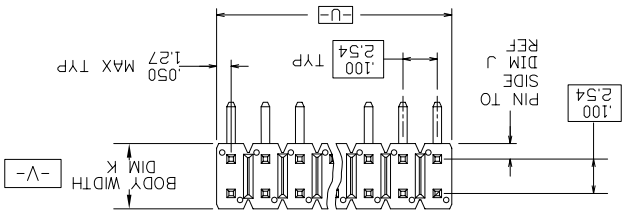
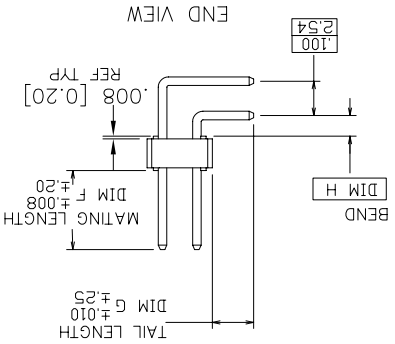


PRODUCT NUMBER XXXXX-XXH TLF

- LEAD FREE OPTION SEE NOTE 1,11
- TUBE PACKAGING OPTION SEE NOTE 1
- HIGH TEMPERATURE PLASTIC SEE NOTE 1
- NO OF POSITIONS SEE NOTE 1
- PIN PLATING SEE SHEET 2
- BASE PART NO.



NOTE 4
 $\phi .020/.51$ U V W



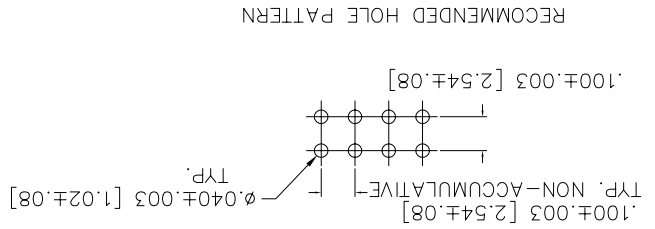
mat'l. code		surface		tolerance		projection		product family	
NOTES 2 & 3		ISO 1302		ISO 406 ISO 1101		BERGSTIK® II HEADER		BERGSTIK	
ltr	ecn no	dr	date	tolerances unless otherwise specified		title			
AA	V71402	HTB	9/29/97	.xxx±.01/0.3		INCH/MM			
AB	V20801	GIP	4/29/02	.xxx±.005/0.13		scale 2:1			
AC	M04-0234	MHT	12/29/04	.xxx±.0020/0.05		BERGSTIK® II HEADER		.100 DR R/A SELF-RET	
AD	M05-0072	MHT	5/03/05	D. WITHING		dwg no		69193	
AE	M06-0269	MNR	7/17/06	engr		T. HANNA		4/08/93	
AF	M06-0346	MHT	9/04/06	chr		T. HANNA		4/08/93	
sheet revision		AF AF		AF AF		4/08/93		4/08/93	
index		1 2		3 4		4		5	
sheet		1 2		3 4		4		5	

PIN PLATING CODES:

XXXXX-1YY	30u"/0.76u MIN (SEE NOTE 12) OVER 50u"/1.27u MIN NI!
XXXXX-2YY	15u"/0.38u MIN (SEE NOTE 12) OVER 50u"/1.27u MIN NI!
XXXXX-3YY	50u"/1.27u MIN Au OVER 50u"/1.27u MIN NI!
XXXXX-4YY	100u"/2.54u MIN Sn OVER 50u"/1.27u MIN NI! (SEE NOTE 13)
XXXXX-4YYHLF	
XXXXX-5YY	15u"/0.38u MIN (SEE NOTE 12) OVER 50u"/1.27u MIN NI!
XXXXX-6YY	30u"/0.76u MIN (SEE NOTE 12) OVER 50u"/1.27u MIN NI!
XXXXX-7YY	30u"/0.76u MIN Au OVER 50u"/1.27u MIN NI!
XXXXX-8YY	15u"/0.38u MIN Au OVER 50u"/1.27u MIN NI!
XXXXX-9YY	15u"/0.38u MIN GXT OVER 50u"/1.27u MIN NI!
XXXXX-0YY	30u"/0.76u MIN GXT OVER 50u"/1.27u MIN NI!

NOTES
 ① PART NUMBER OPTIONS:
 PIN PLATING CODES (SEE ABOVE)
 HIGH TEMP. MATERIAL:
 FOR HIGH-TEMPERATURE APPLICATIONS, SPECIFY AN "H" AT THE END OF THE PART NUMBER, AND PCT WILL BE SUPPLIED.
 NUMBER OF POSITION:
 ANY NUMBER OF POSITIONS FROM 2 (2X1) THRU 72 (2X36).
 PACKAGING:
 PACKAGED IN POLY BAGS.
 EIGHT DIGIT PART NUMBERS FOLLOWED BY A "T" ARE PACKAGED IN TUBES. SEE SPECIFIC PART NUMBERS FOR AVAILABILITY.
 LEAD FREE:
 ADD "HLF" SUFFIX AT THE END OF PART NUMBER FOR LEAD FREE OPTION, NOT AVAILABLE FOR -5YY,-5YYH,-6YY & -6YYH.

② BODY MATERIAL:
 MANUFACTURER'S OPTION OF NYLON OR PCT, GLASS FIBER REINFORCED, FLAME RETARDENT PER UL-94V-0.
 COLOR: BLACK.
 PART NUMBERS WITH "H" SUFFIX WILL WITHSTAND EXPOSURE TO 260°C PEAK TEMPERATURE FOR 20 SECONDS IN WAVE SOLDER, INFRA-RED OR VAPOR PHASE SOLDER PROCESS.
 PART NUMBERS WITHOUT "H" SUFFIX WILL WITHSTAND EXPOSURE TO 260°C PEAK TEMPERATURE FOR WAVE SOLDER PROCESS.



- ③ PIN MATERIAL: PHOS-BRONZE.
- ④ MEASURED WITH PART IN RESTRAINED CONDITION.
- ⑤ TWO SIDES OF PIN TIPS NOT PLATED. TYPICAL BOTH ENDS.
- ⑥ 2LBS/0.9KG MIN PIN RETENTION IN EITHER DIRECTION.
- ⑦ ±.010/0.25 TOL. APPLIES TO ALL "G" TAILS EXCEPT INDICATED PARTS ON TABLE WHERE +.010/0.25,-.000/0.00 APPLIES.
- ⑧ SECTION R-R DIMENSIONS APPLY SPECIFIED ENDS OF RETENTION PIN POSITIONS ONLY. SEE PRODUCT PART NUMBER FOR SINGLE OR DUAL SIDE RETENTION LOCATED AT MANUFACTURER'S OPTION.
- ⑨ SECTION S-S DIMENSIONS APPLY TO DUAL RETENTION PIN POSITIONS ONLY. SEE PRODUCT PART NUMBER FOR SINGLE OR DUAL SIDE RETENTION. LOCATED AT MANUFACTURER'S OPTION.
- ⑩ 5LB/2.3KG MAX INSERTION FORCE AND .25LB/.1KG MIN RETENTION FORCE PER RETENTIVE PIN USING .062/1.57 THICK CIRCUIT BOARDS AND RECOMMENDED HOLE PATTERN.
- ⑪ THESE PRODUCTS MEETS EUROPEAN UNION DIRECTIVES AND OTHER COUNTRY REGULATION AS DESCRIBED IN GS-22-008.
- ⑫ PLATING OPTIONS:
 MAY BE EITHER GOLD OR GXT PLATED AT MANUFACTURER'S OPTION.
- ⑬ THIS PRODUCT HAS 100% TIN PLATING IN THE INTERFACE AND HAS NOT BEEN TESTED FOR WHISKER GROWTH IN ALL INTERCONNECT ENVIRONMENTS."

mat'l. code	surface	tolerance	projection	product family
NOTES 2 & 3	ISO 1302	ISO 406 ISO 1101		BERGSTIK
itr	ecn no	dr	date	
AF	angles	indeg	inCH/MM	title
	0°±.2	.xxx±.005/0.13		BERGSTIK® II HEADER
		.xxx±.01/0.3		
		xxxx±.0020/0.05	scale 2:1	
			dwg no	sheet 2 of 4 size
			69193	A3
sheet	revision			
index				

D

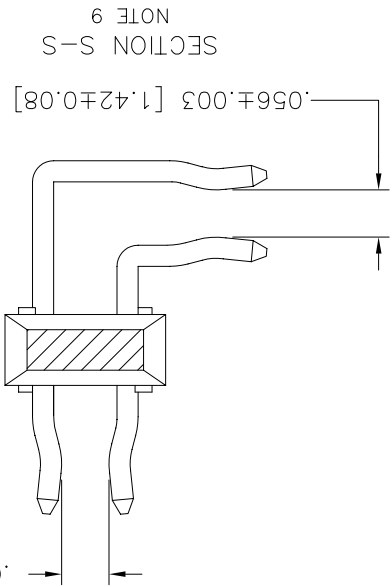
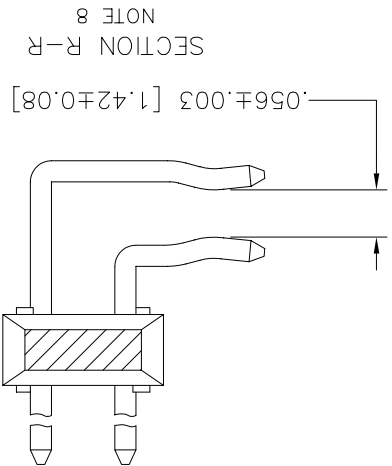
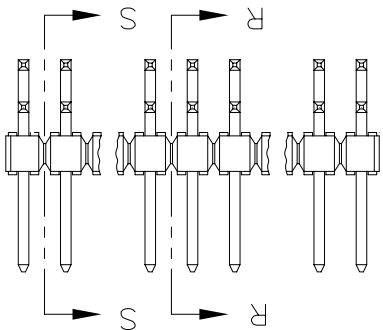
Copyright FCI

C

FCI
FCIconnect.com

B

A



mat'l. code		surface		tolerance		projection		product family		title		AF		angles		inlet		scale 2:1		dwg no		type		sheet		index			
NOTES 2 & 3		ISO 1302		ISO 406 ISO 1101		100 DR R/A SELF-RET		BERGSTIK® II HEADER		BERGSTIK		.100 DR R/A SELF-RET		.005/0.13		.005/0.13		xxxxx.0020/0.05		69193		Product Customer Drawing		revision		sheet			
date		date		date		date		date		date		date		date		date		date		date		date		date		date		date	
tolerances unless otherwise specified		tolerances unless otherwise specified		tolerances unless otherwise specified		tolerances unless otherwise specified		tolerances unless otherwise specified		tolerances unless otherwise specified		tolerances unless otherwise specified		tolerances unless otherwise specified		tolerances unless otherwise specified		tolerances unless otherwise specified		tolerances unless otherwise specified		tolerances unless otherwise specified		tolerances unless otherwise specified		tolerances unless otherwise specified		tolerances unless otherwise specified	
dr		dr		dr		dr		dr		dr		dr		dr		dr		dr		dr		dr		dr		dr		dr	
D. WITTING		D. WITTING		D. WITTING		D. WITTING		D. WITTING		D. WITTING		D. WITTING		D. WITTING		D. WITTING		D. WITTING		D. WITTING		D. WITTING		D. WITTING		D. WITTING		D. WITTING	
engr		engr		engr		engr		engr		engr		engr		engr		engr		engr		engr		engr		engr		engr		engr	
T. HANNA		T. HANNA		T. HANNA		T. HANNA		T. HANNA		T. HANNA		T. HANNA		T. HANNA		T. HANNA		T. HANNA		T. HANNA		T. HANNA		T. HANNA		T. HANNA		T. HANNA	
4/08/93		4/08/93		4/08/93		4/08/93		4/08/93		4/08/93		4/08/93		4/08/93		4/08/93		4/08/93		4/08/93		4/08/93		4/08/93		4/08/93		4/08/93	
chr		chr		chr		chr		chr		chr		chr		chr		chr		chr		chr		chr		chr		chr		chr	
T. HANNA		T. HANNA		T. HANNA		T. HANNA		T. HANNA		T. HANNA		T. HANNA		T. HANNA		T. HANNA		T. HANNA		T. HANNA		T. HANNA		T. HANNA		T. HANNA		T. HANNA	
4/08/93		4/08/93		4/08/93		4/08/93		4/08/93		4/08/93		4/08/93		4/08/93		4/08/93		4/08/93		4/08/93		4/08/93		4/08/93		4/08/93		4/08/93	
appd		appd		appd		appd		appd		appd		appd		appd		appd		appd		appd		appd		appd		appd		appd	
T. HANNA		T. HANNA		T. HANNA		T. HANNA		T. HANNA		T. HANNA		T. HANNA		T. HANNA		T. HANNA		T. HANNA		T. HANNA		T. HANNA		T. HANNA		T. HANNA		T. HANNA	
4/08/93		4/08/93		4/08/93		4/08/93		4/08/93		4/08/93		4/08/93		4/08/93		4/08/93		4/08/93		4/08/93		4/08/93		4/08/93		4/08/93		4/08/93	

6

D

C

B

A

6

5

4

2

1

3

2

1

D

Copyright FCI

FCI
FCIconnect.com

A

B

C

PRODUCT NUMBER	MATING LENGTH	TAIL LENGTH	BEND DIM.	PIN TO SIDE	BODY WIDTH	DIM J	DIM J	DIM J	DIM J	DIM K	DIM K	RETENTION	ENGLISH METRIC	ENGLISH METRIC	ENGLISH METRIC	ENGLISH METRIC	LOCATION	PACKAGING	NOTES	OPTION	
94048-XYH	0.380	9.65	0.120	3.05	0.060	1.52	0.070	1.78	0.240	6.10	G TAIL	POLY BAGS									
93240-XY	0.338	8.59	0.120	3.05	0.060	1.52	0.070	1.78	0.240	6.10	G TAIL	POLY BAGS									
93150-XY	0.275	6.99	0.120	3.05	0.060	1.52	0.045	1.14	0.190	4.83	G TAIL	POLY BAGS									
90305-XY	0.165	4.19	0.120	3.05	0.060	1.52	0.070	1.78	0.240	6.10	G TAIL	POLY BAGS/TUBES									
87845-XY	0.230	5.84	0.085	2.16	0.060	1.52	0.070	1.78	0.240	6.10	G TAIL	POLY BAGS/TUBES									
87801-XY			N O T A V A I L A B L E																		
87227-XY	0.318	8.08	0.120	3.05	0.060	1.52	0.045	1.14	0.190	4.83	G TAIL	POLY BAGS									
86381-XY	0.250	6.35	0.120	3.05	0.060	1.52	0.070	1.78	0.240	6.10	G TAIL	POLY BAGS									
78299-XY	0.230	5.84	0.120	3.05	0.060	1.52	0.070	1.78	0.240	6.10	G TAIL	POLY BAGS/TUBES									
78276-XY	0.318	8.08	0.120	3.05	0.060	1.52	0.070	1.78	0.240	6.10	G TAIL	POLY BAGS/TUBES									
78253-XY			N O T A V A I L A B L E																		
69193-XY	0.230	5.84	0.120	3.05	0.060	1.52	0.045	1.14	0.190	4.83	G TAIL	POLY BAGS									

LF
OPTION
NOTE 1,11
NOTE 1,11

mat'l. code	ISO 1302	surface	ISO 1302	tolerance	ISO 406	ISO 1101	projection	product family	BERGSTIK
itr	ecn no	dr	date	tolerances unless otherwise specified	.xxx±.01/0.3	inches	inches	inches	inches
AF					°±.2	inches	inches	inches	inches
					xxxx±.0020/0.05	scale 2:1			
		dr	D. WITHING	4/08/93					
		enr	T. HANNA	4/08/93					
		chr	T. HANNA	4/08/93					
		ppd	T. HANNA	4/08/93					
sheet	revision								
index									

sheet	revision								
index									
type	Product Customer Drawing								
dwg no	sheet4 of 4 size								
69193	A3								
FCI									
scale 2:1									
BERGSTIK® II HEADER									
product family	BERGSTIK								

X-ON Electronics

Largest Supplier of Electrical and Electronic Components

Click to view similar products for [Headers & Wire Housings](#) category:

Click to view products by [Amphenol](#) manufacturer:

Other Similar products are found below :

[95000-104TRLF](#) [10135584-644402LF](#) [DF62W-EP2022PCA](#) [95000-106TRLF](#) [DF62W-2022SCA](#) [DF62W-EP2022PC](#) [2203348](#) [DF62W-2022SC](#) [1084018](#) [1029039](#) [1084017](#) [802-10-012-10-002000](#) [1112640](#) [1112639](#) [891-007-9SS-BST1T](#) [000-34000](#) [0008550134](#) [0009482033](#) [0009507031](#) [57102-F02-18ULF](#) [57102-S06-03LF](#) [57202-S52-04LF](#) [PCN6-15S-2.5E](#) [0039019024](#) [58102-G61-06LF](#) [582553-1](#) [0009485154](#) [0009508121](#) [0022285053](#) [0050291907](#) [018731A](#) [LY20-4P-DT1-P1E-BR](#) [02.125.8002.8](#) [60101931](#) [60598-1 \(Cut Strip\)](#) [M1625-3R/100](#) [61062-3](#) [61082-181009](#) [CSU011177004](#) [636-1427](#) [638009-1](#) [641938-9](#) [641991-4](#) [644168-1](#) [644827-2](#) [647662-1](#) [65039-019ELF](#) [65692-001LF](#) [65781-018](#) [65781-047](#)