

PRODUCT NUMBER	NUMBER OF POS.	DIM A	DIM B	DIM C	DIM D	DIM E	DIM F	DIM G	LOADED POSITION	HOUSING COLOR	PRODUCT FIGURE
87180-X44/-X44LF/-X44HLF	4	3.05	3.81	7.62	11.20	3.05	5.50	7.87	ALL POS.	BLACK	FIGURE 1
87180-X42/-X42LF/-X42HLF									2,3		
87180-X66/-X66LF/-X66HLF									ALL POS.		
87180-X64/-X64LF/-X64HLF	6	5.08	6.35	10.16	13.20	4.06	6.60	9.90	2,3,4,5	BLACK	FIGURE 1
87180-X64A/-X64ALF/-X64AHLF									1,2,5,6		
87180-X62/-X62LF/-X62HLF									3,4		
87180-X88/-X88LF/-X88HLF	8	7.11	8.89	11.43	15.24	4.06	6.30	11.94	ALL POS.	BLACK	FIGURE 2
87180-X88E/-X88ELF									ALL POS.		
87180-X86/-X86LF/-X86HLF									2,3,4,5,6,7		
87180-X84/-X84LF/-X84HLF									3,4,5,6		
87180-X84A/-X84ALF/-X84AHLF									1,4,5,8		
87180-X84B/-X84BLF/-X84BHLF									1,2,3,6		
87180-X84C/-X84CLF/-X84CHLF									1,2,7,8		
87180-X88G/-X88GLF									ALL POS.		
87180-X84GSLF/-X84GSHLF	3,4,5,6	GREY									

PLATING CODE X	PLATING
0	5u" Au + high performance lubricant
1	15u" G.X.T.
2	20u" GFDP
3	5u" Au + high performance lubricant
4	15u" G.X.T.
5	50u" G.X.T.
6	6u" G.X.T.
7	2u" G.X.T.

OBSOLETE(AE)

NOTE 7 BERG MFG SLTE CODE

LEAD FREE PRODUCT NO.
MEETS PIP PROCESS PRODUCT NO.

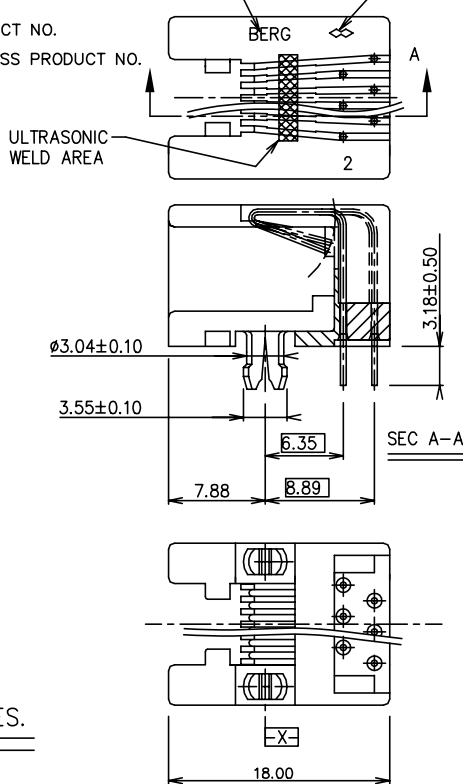


FIGURE 1 - 4 & 6 POS. TYPES.

mat'l. code	surface	tolerance	projection	product family
	ISO1302 ✓	ISO1101 ISO406		MOD JACK
ltr ecn nodr	date	tolerances unless otherwise specified	title	
AA N06-0043 DT	02/20/06	angle	mm	LOW PROFILE PCB III HORZ
AB N08-0097 SH	08/13/08	line	scale 2.0	MOD JACK, FOR 1.6MM P.C.B.
AC N08-0170 SH	09/25/08	0'±2'		dwg no
AD ELX-N-01067 SH MMD	3/14/12	dr	KCHOU	10/19/93
		enr	TONY CHIEN	10/19/93
		chr	TONY CHIEN	10/19/93
		app	JENN TSAO	10/19/93
sheet	revisior	AD	AD	
index	sheet	1	2	



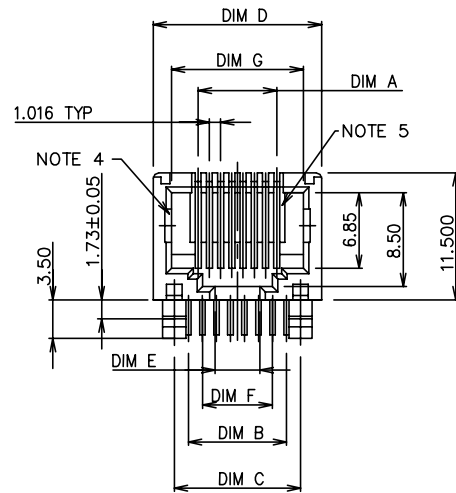
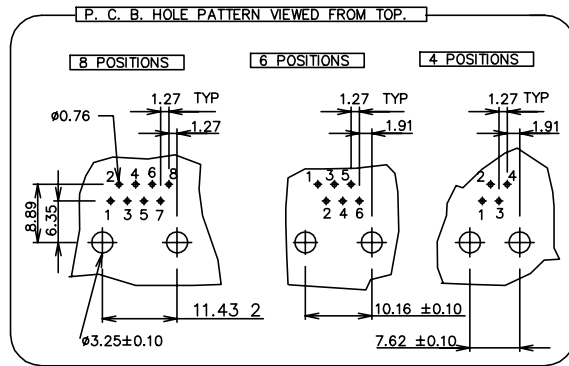
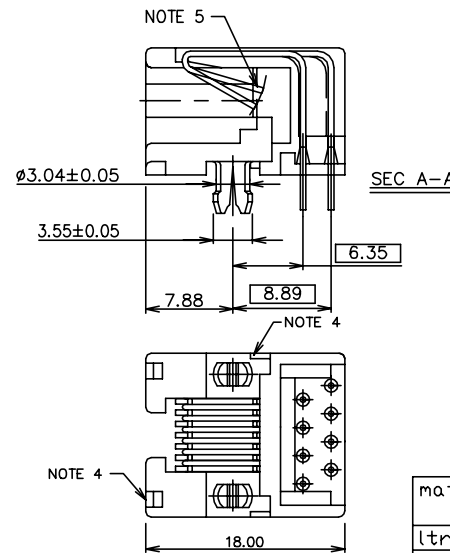
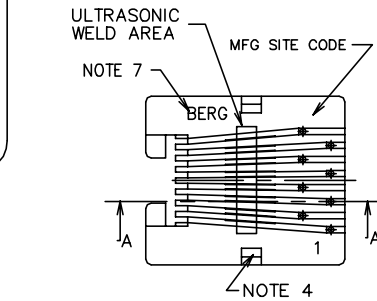
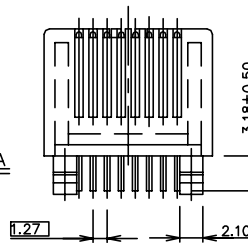


FIGURE 2- 8 POS TYPE.



NOTES:

1. RECOMMENDED P.C.B THICKNESS 1.60 MM
2. HOUSING MAT'L: NYLON 6/6, 25% GLASS REINFORCED, UL94-V0, COLOR : SEE TABLE.
3. CONTACTS: PHOS BRONZE ALLOY UNS-C51000, 0.460DIA. ROUND WIRE. PLATING SEE TABLE.
- ④ APPEARS ON 8 POS TYPE (P/N 87180-X8X) ONLY.
- ⑤ PROTRUDED SHELF ONLY APPEARS ON 8-POS JACK.
6. STANDARD PACKAGING METHOD(USE TUBE): SEE GES-14-361.
- ⑦ COMPANY LOGO CAN BE "BERG" OR "DU PONT", AND WOULD APPEAR IN THE SAME SHIPMENT UNLESS LOGO SPEC HEREIN IS UPDATED.
8. THE PRODUCT MEETS EUROPEAN UNION DIRECTIVES AND OTHER COUNTRY REGULATIONS AS DESCRIBED IN GS-22-008.
9. THE HOUSING WILL WITHSTAND EXPOSURE TO 260°C PEAK TEMPERATURE FOR 10 SECONDS IN A WAVE SOLDER APPLICATION WITH A 1.60mm MINIMUM THICK CIRCUIT BOARD.
10. IF LF P/N PACKAGING MEETS GS-14-920 SPECIFICATION.
- ⑪ EQUIVALENT THICKNESS Au AND GXT PLATING HAVE SAME FUNCTION AND THEY ARE ALTERNATIVE BY THE CUSTOEMR .



mat'l. code		surface ISO1302 ✓		tolerance ISO1101 ISO406		projection ④		product family MOD JACK	
l trechn nodr		date		tolerances unless other		mm		title	
AA	N06-0043	DT	02/20/06	angle	0.X±0.3	scale 2.0		LOW PROFILE PCB III HORZ	
AB	N08-0097	SH	08/13/08	0°±2'	0.XX±0.15			MOD JACK, FOR 1.6MM P.C.B.	
AC	N08-0170	SH	09/25/08		0.XXX±0.05				
AD	ELX-N-01067	SH	MM0 3/14/12	dr	KCHOU	10/19/93	dwg no		sheet 2 of 2
				engr	TONY CHIEN	10/19/93	87180		A4
				chr	TONY CHIEN	10/19/93	type		Product Customer Drawing
				appd	JENN TSAO	10/19/93			
sheet	revision								
index	sheet								

X-ON Electronics

Largest Supplier of Electrical and Electronic Components

Click to view similar products for [Modular Connectors / Ethernet Connectors](#) category:

Click to view products by [FCT Electronics](#) manufacturer:

Other Similar products are found below :

[RJE231881317T](#) [MP1010RX-1000](#) [MP44RX-1000](#) [GAX-3-66](#) [GAX-8-62](#) [93606-0253](#) [GD-A-44](#) [GDCX-PA-66-50](#) [GDCX-PN-64](#) [GDCX-PN-66](#) [GDCX-PN-66-50](#) [GDLX-A-66](#) [GDLX-A-88](#) [GDLX-N-66](#) [GDLX-S-88K](#) [GDTX-S-88-50](#) [GDX-PA-1010](#) [GLX-A-44](#) [GLX-N-1010M-BLK](#) [GLX-N-44M](#) [GLX-S-88M-BLK](#) [GMX-N-1010](#) [GMX-S-1010](#) [GMX-S-66](#) [GMX-SMT2-N-1010](#) [GMX-SMT2-N-64-50](#) [GMX-SMT2-S6-88](#) [GMX-SMT4-N-88](#) [GPX-2-64](#) [GRT1-BT1-5](#) [GSGX-N-2-88](#) [GSX-NS2-88-3.05](#) [GSX-NS2-88-3.05-50](#) [GSX-NS-88-3.05-30](#) [GSX-NS-88-3.05-50](#) [GSX-NS-88-3.68](#) [1-1775629-2](#) [GWLX-S-88-GR](#) [GWLX-S9-88-YG](#) [1300500326](#) [1300500227](#) [1300530003](#) [1300570002](#) [1324640-4](#) [RJ11FTVC2G](#) [RJ11FTVC2N](#) [RJFTVX2SA1G](#) [132764-001](#) [1400000](#) [1413176](#)