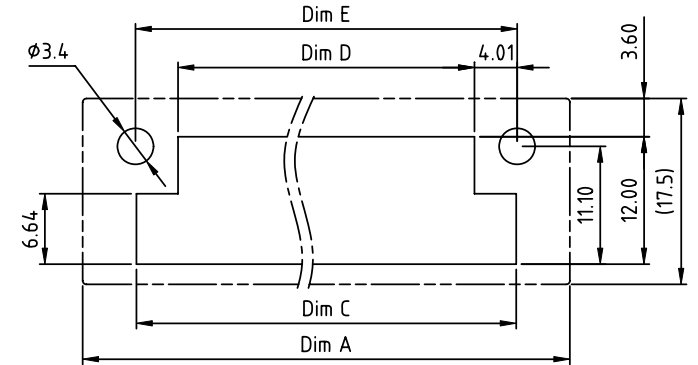
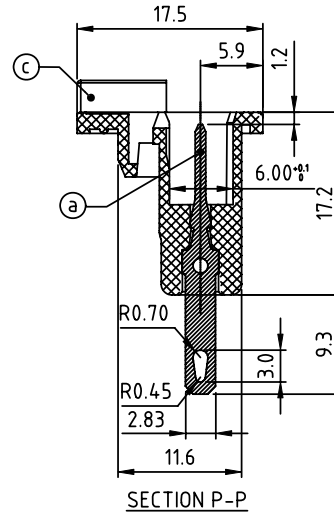
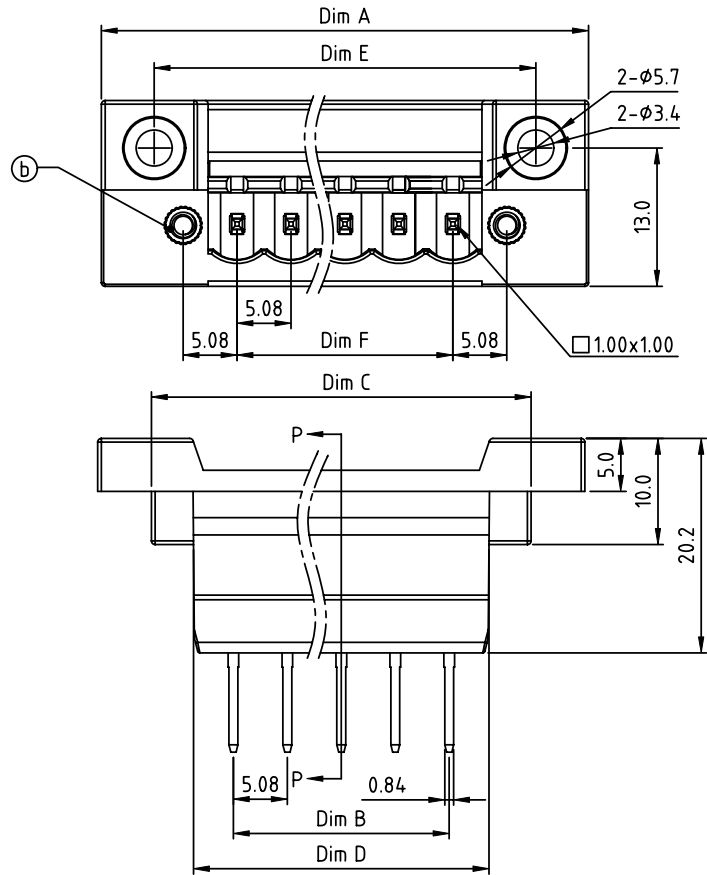


PRODUCT NUMBER	PITCH
VZxx50x000J0G	5.08 mm



RECOMMENDED P.C.B CUTOUT  
TOP VIEW

Material:

- Item① Solder Pin: Brass with Tin plated.
- Item② Flange nut: brass M2.5
- Item③ Terminal (housing): Thermoplastic(UL94V-0)

Electrical cULus

- Voltage rating: 300VAC
- Current rating: 12A
- Withstanding Voltage: 1.6kv
- Operating temperature: -40°C to +115°C
- Soldering temperature: 260°C±5°C/5 Sec
- Safety Approval:

DIMENSION

Dim A	Nx5.08+20.5
Dim B	(N-1)x5.08
Dim C	Nx5.08+10.3
Dim D	Nx5.08+2.5
Dim E	Nx5.08+10.52
Dim F	(N-1)x5.08

N=Number of poles

Poles	Tolerance
2-5P	±0.15
6-10P	±0.20
11-15P	±0.30
16-24P	±0.40

PART NO.: VZ xx 50 x 0 00J0 G

Solid block	No. of poles	Color	RoHS compliant (lead<4%) In copper Alloy
0	2	Black (RAL9005)	
1	3	Red (RAL3001/D)	
2	4	Orange(RAL2011/P)	
3	5	Yellow(RAL1018/A)	
4	6	Green(RAL6018/T)	
5	8	Blue (RAL5015/A)	
6	9	Grey(RAL7035/D)	
7	9	White(RAL1102)	
8	24	Green(RAL6018/U)	
9		C Green(RAL6018/U)	

mat'l. code	surface ASME Y14.5	tolerance ASME Y14.5	projection	product family
ltr	ecn no	dr	date	TERMINAL BLOCK
				title
				TERMINAL BLOCK
				PLUGGABLE SOCKET, FEED-THROUGH HEADER
				scale
				MM
				sheet 1 of 1
				size
				A4
				type
				CUSTOMER Drawing
sheet index	revision	B		
	sheet	1		

## X-ON Electronics

Largest Supplier of Electrical and Electronic Components

*Click to view similar products for [Pluggable Terminal Blocks](#) category:*

*Click to view products by [Amphenol](#) manufacturer:*

Other Similar products are found below :

[57.404.7553](#) [57.504.0053.7](#) [57.510.0053](#) [57.910.6153](#) [01.112.1453](#) [CTB932VE/6](#) [MC 1.5/ 6-ST-3.5 GY AU](#) [ET02015000J0G](#) [734-104](#) [734-302](#) [734-304](#) [8-141-P](#) [FKCT 2.5/ 3-ST KMGY](#) [860505](#) [860508](#) [860516](#) [860810](#) [861908](#) [GBPACX-12](#) [93.731.4953.0](#) [PV05-5,08-K](#) [PVP02-5,00](#) [PVP04-3,50](#) [PVS02-5,00](#) [1-1986160-3](#) [H-10](#) [ELFH09150](#) [ELFH16150](#) [ELFP03110](#) [ELFT06250](#) [ELFT07250](#) [ELVF09400](#) [ELVP03100](#) [ELXH03100](#) [ELXH071G0E](#) [ELXP041G0](#) [ELXT046G0](#) [1700101](#) [1700410](#) [1700425](#) [1703176](#) [1705229](#) [1710175](#) [1714537](#) [1717806](#) [1719600](#) [1729386](#) [1734692](#) [1734795](#) [1736036](#)