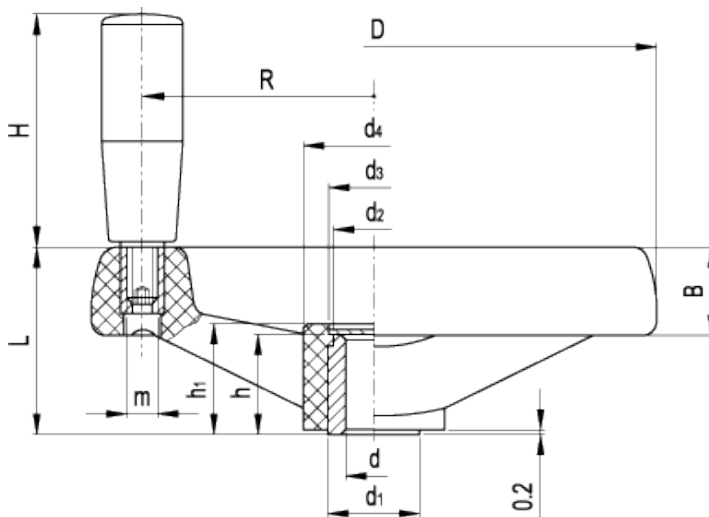


# VRTP+I VRTP+IEL



Spoked handwheels with revolving handle



## technical informations

### Material

High-resilience polypropylene based (PP) technopolymer. Resistant to solvents, oils, greases and other chemical agents.

### Colour

Black, matte finish.

### Assembly

- Black-oxide steel boss, H7 reamed hole.
  - Execution K: bosses with hole and keyway in compliance with [DIN 6885/1 P9 tolerance](#).
- To order the handwheel with keyway complete code and description with the index -K.

### Self-adhesive front plate

Anodised aluminium.

## Revolving handle

- VRTP+I: type [L601+x](#) high-resilience polypropylene based (PP) technopolymer, black colour, matte finish.
- VRTP+IEL: type [IEL+x](#) semi-rigid thermoplastic elastomer (TPE), hardness 40 Shore D, black colour, matte finish. The two-volume special design of the handle provides the operator's hand with a safe and ergonomic grip when turning the handwheel.



VRTP+IEL

*Accessories on request*

Axial retaining washer type [GN 184](#).

| Standard Elements |                   | Main dimensions |    |    |                |                |                |                |                | Bore            |    | Handle |     |     | C #  | L # | Weight |
|-------------------|-------------------|-----------------|----|----|----------------|----------------|----------------|----------------|----------------|-----------------|----|--------|-----|-----|------|-----|--------|
| Code              | Description       | D               | L  | B  | d <sub>1</sub> | d <sub>2</sub> | d <sub>3</sub> | d <sub>4</sub> | h <sub>1</sub> | d <sub>H7</sub> | h  | H      | m   | R   | [Nm] | [J] | g      |
| 78421             | VRTP.80+I A-8     | 80              | 35 | 18 | 18             | 16             | 17             | 23             | 19             | 8               | 17 | 40     | M6  | 29  | 32   | 5   | 104    |
| 78422             | VRTP.80+I A-10    | 80              | 35 | 18 | 18             | 16             | 17             | 23             | 19             | 10              | 17 | 40     | M6  | 29  | 32   | 5   | 100    |
| 78520             | VRTP.100+I A-8    | 99              | 37 | 20 | 18             | 16             | 17             | 25             | 19             | 8               | 17 | 56     | M6  | 37  | 54   | 7   | 150    |
| 78521             | VRTP.100+I A-10   | 99              | 37 | 20 | 18             | 16             | 17             | 25             | 19             | 10              | 17 | 56     | M6  | 37  | 54   | 7   | 145    |
| 78522             | VRTP.100+I A-12   | 99              | 37 | 20 | 18             | 16             | 17             | 25             | 19             | 12              | 17 | 56     | M6  | 37  | 54   | 7   | 140    |
| 78620             | VRTP.125+I A-8    | 124             | 44 | 22 | 22             | 20             | 21             | 31             | 25             | 8               | 22 | 65     | M8  | 48  | 94   | 10  | 250    |
| 78621             | VRTP.125+I A-12   | 124             | 44 | 22 | 22             | 20             | 21             | 31             | 25             | 12              | 22 | 65     | M8  | 48  | 94   | 10  | 245    |
| 78622             | VRTP.125+I A-14   | 124             | 44 | 22 | 22             | 20             | 21             | 31             | 25             | 14              | 22 | 65     | M8  | 48  | 94   | 10  | 240    |
| 78720             | VRTP.160+I A-8    | 160             | 51 | 25 | 26             | 24             | 25             | 40             | 29             | 8               | 27 | 65     | M8  | 65  | 185  | 15  | 363    |
| 78721             | VRTP.160+I A-14   | 160             | 51 | 25 | 26             | 24             | 25             | 40             | 29             | 14              | 27 | 65     | M8  | 65  | 185  | 15  | 356    |
| 78722             | VRTP.160+I A-16   | 160             | 51 | 25 | 26             | 24             | 25             | 40             | 29             | 16              | 27 | 65     | M8  | 65  | 185  | 15  | 339    |
| 78820             | VRTP.200+I A-8    | 200             | 61 | 28 | 30             | 28             | 31             | 50             | 36             | 8               | 34 | 80     | M8  | 84  | 300  | 24  | 579    |
| 78821             | VRTP.200+I A-16   | 200             | 61 | 28 | 30             | 28             | 31             | 50             | 36             | 16              | 34 | 80     | M8  | 84  | 300  | 24  | 552    |
| 78823             | VRTP.200+I A-20   | 200             | 61 | 28 | 30             | 28             | 31             | 50             | 36             | 20              | 34 | 80     | M8  | 84  | 300  | 24  | 525    |
| 78921             | VRTP.250+I A-20   | 249             | 70 | 32 | 35             | 33             | 34             | 59             | 40             | 20              | 38 | 90     | M10 | 105 | 420  | 28  | 904    |
| 78923             | VRTP.250+I A-24   | 249             | 70 | 32 | 35             | 33             | 34             | 59             | 40             | 24              | 38 | 90     | M10 | 105 | 420  | 28  | 888    |
| 78958             | VRTP.300+I A-20   | 298             | 78 | 36 | 40             | 37             | 42             | 66             | 46             | 20              | 43 | 90     | M10 | 127 | 480  | 36  | 1050   |
| 78961             | VRTP.300+I A-26   | 298             | 78 | 36 | 40             | 37             | 42             | 66             | 46             | 26              | 43 | 90     | M10 | 123 | 480  | 36  | 1111   |
| 79021             | VRTP.375+I A-26   | 373             | 82 | 38 | 40             | 37             | 42             | 69             | 46             | 26              | 43 | 90     | M10 | 162 | 480  | 40  | 1345   |
| 78926             | VRTP.250+IEL A-20 | 249             | 70 | 32 | 35             | 33             | 34             | 59             | 40             | 20              | 38 | 65     | M10 | 105 | 420  | 28  | 914    |
| 78928             | VRTP.250+IEL A-24 | 249             | 70 | 32 | 35             | 33             | 34             | 59             | 40             | 24              | 38 | 65     | M10 | 105 | 420  | 28  | 818    |
| 78964             | VRTP.300+IEL A-20 | 298             | 78 | 36 | 40             | 37             | 42             | 66             | 46             | 20              | 43 | 65     | M10 | 127 | 480  | 36  | 1060   |
| 78966             | VRTP.300+IEL A-26 | 298             | 78 | 36 | 40             | 37             | 42             | 66             | 46             | 26              | 43 | 65     | M10 | 127 | 480  | 36  | 1121   |
| 79026             | VRTP.375+IEL A-26 | 373             | 82 | 38 | 40             | 37             | 42             | 69             | 46             | 26              | 43 | 65     | M10 | 162 | 480  | 40  | 1355   |

\* To order the handwheel with keyway add the index -K ex: 78411-K VRTP.80 A-8-K# See [Technical Data](#) for maximum applicable torque (C) and impact strength (L).

This product had the following design awards:



ELESA and GANTER models all rights reserved in accordance with the law. Always mention the source when reproducing our drawings.

**STANDARD MACHINE ELEMENTS WORLDWIDE**

## X-ON Electronics

Largest Supplier of Electrical and Electronic Components

*Click to view similar products for [Mounting Fixings](#) category:*

*Click to view products by [Elesa & Ganter](#) manufacturer:*

Other Similar products are found below :

[5912235-2](#) [007310](#) [007541](#) [6-141-P](#) [620HA038NF09](#) [620HA038NF11](#) [CTJ420E028-513](#) [M81714/60-12-01](#) [M81714/60-22-01](#) [L/C](#)  
[MA1EAF1200](#) [70-584649-01P](#) [71-074914-006](#) [71-215091-8S](#) [712HA170B23128-N](#) [71-344699-4S](#) [71-441549-19S](#) [71-441864-5S](#) [71-](#)  
[490451-4H](#) [EX-13-3-B-16-325PN](#) [75-69116-8S](#) [75-69211-3P](#) [75-69220-27S](#) [75-69224-5S](#) [75-69614-2S](#) [770-006A109](#) [770-006A109R](#) [770-](#)  
[006A207](#) [770-006A208W1](#) [770-006A209](#) [770-006A306](#) [770-006A703W1](#) [770-006A704](#) [770-006A704W1](#) [770-006A705](#) [770-006A706](#)  
[770-006A706W1](#) [770-006A707](#) [770-006A709](#) [770-007A203](#) [770-007A203W1](#) [770-007A204W1](#) [770-007A207W1](#) [770-007A703](#) [770-](#)  
[007A704W1](#) [770-007A706](#) [770-007A707W1](#) [770-010Y208](#) [770-010Y308](#) [770-010Y705](#) [770-010Y706](#)