



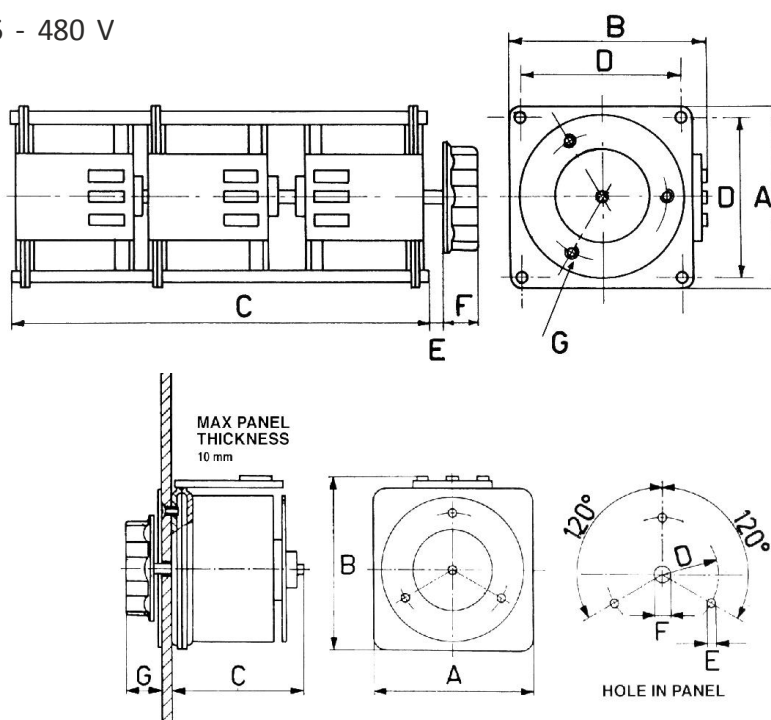
Opened transformers (make NA) or encased (make NC) single- (type V) or three-phase (type T) designed for stepless adjustment of output voltage in installations and industrial or power engineering devices.

The transformers are made with Class I insulation and protection grade IP00 or IP23, maximum ambient temperature 40°C, thermal class of insulation B (130°C), manufactured in compliance with EN 61558-2-14.

Rated power: 100VA - 7kVA(typ V), 20kVA(typ T)

Rated voltage PRI: 220 - 400 V 50 - 400 Hz

Rated voltage SEC: 125 - 480 V



Type	Current (A)	Max. current (A)	Frequency range (Hz)	Dimensions (mm)							IPXX	Weight (kg)
				A	B	C	D	E	F	G		
SINGLE PHASE, 230/0 - 230 V												
V - 3NA	2	2,2	50 - 400	105	115	110	38	5,5	15	25	IP00	2,8
V - 5NA	3,6	4,1	50 - 400	125	140	115	45	5,5	15	25	IP00	4,5
V - 10NA	9	10,8	50 - 400	160	175	125	60	6,5	17	35	IP00	6,7
V - 20NA	14	17	50 - 400	200	220	130	76	8,5	17	40	IP00	12
V - 40NA	20	25	50 - 400	230	260	130	90	8,5	17	40	IP00	18
V - 70NA	32	40	50 - 400	300	360	150	126	11	17	40	IP00	35
THREE PHASE, 400/0 - 400 V												
T - 3NA/3	2	2,2	50 - 400	105	115	350	85	32	25	M5	IP00	9
T - 5NA/3	3,6	4,1	50 - 400	125	140	385	100	32	25	M5	IP00	13
T - 10NA/3	9	10,8	50 - 400	160	175	400	133	42	35	M6	IP00	22
T - 20NA/3	14	17	50 - 400	200	220	435	158	42	40	M8	IP20	39
T - 40NA/3	20	25	50 - 400	230	260	450	184	42	40	M8	IP20	51
T - 70NA/3	32	40	50 - 400	330	350	490	273	42	57	M10	IP20	107

As a result of constant development of product construction and changes concerning technical requirements, Breve Tufvassons reserves the right to change the parameters mentioned above.

X-ON Electronics

Largest Supplier of Electrical and Electronic Components

Click to view similar products for [Autotransformers](#) category:

Click to view products by [Breve Tufvassons](#) manufacturer:

Other Similar products are found below :

[ARM-2.0/3](#) [ESS 104](#) [ESS 120](#) [ARM-3.0/1](#) [ARM-5.0/1](#) [ATS1000VA-230/110V U](#) [ATS1500VA-230/110V U](#) [ATS1500VA-230/110V U+UMS](#) [ATS200VA-230/110V](#) [ATS300VA-230/110V](#) [ATS50VA-230/110V](#) [ATS600VA-230/110V](#) [TS50-230V/115V-001](#) [TS90-230V/115V-002](#) [VP-500VA](#) [OIEA1](#) [OIEA3](#) [OIEA8](#) [VP-2000VA](#) [VP-1000VA](#) [N-1000MG](#) [N-3MG](#) [N-5MG](#) [N-6U](#) [N-150MG](#) [N-2X](#) [N-9MG](#) [110-0F](#) [120-0F](#) [1150-0F](#) [1100-0F](#) [130-0F](#) [125-0F](#) [175-0F](#) [150-0F](#) [115-0F](#) [112-0F](#) [ATS100-230V/115V-001](#) [ATS25-230V/115V-001](#) [ATST1000-230V/115V-001](#) [ATST1000-230V/115V-002](#) [ATST100-230V/115V-001](#) [ATST100-230V/115V-002](#) [ATST1500-230V/115V-002](#) [ATST2000-230V/115V-001](#) [ATST2000-230V/115V-002](#) [ATST200-230V/115V-001](#) [ATST3000-230V/115V-001](#) [ATST3000-230V/115V-002](#) [ATST3500-230V/115V-002](#)