

Copyright: FCI



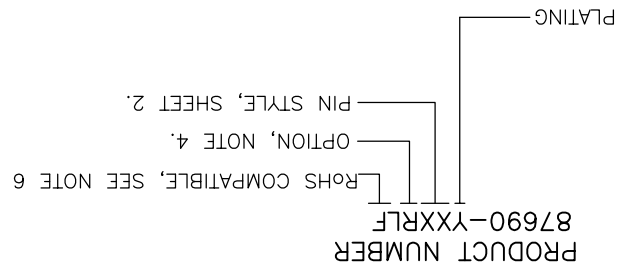
Fciconnect.com

- a - LABELING:
- MEETS PACKAGING SPECS AS PER GS-14-920
- LEGAL STATEMENT: SEE GS-47-0004

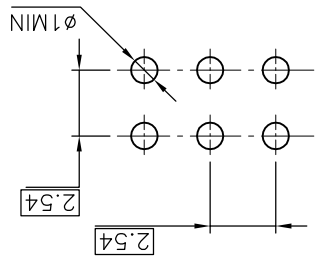
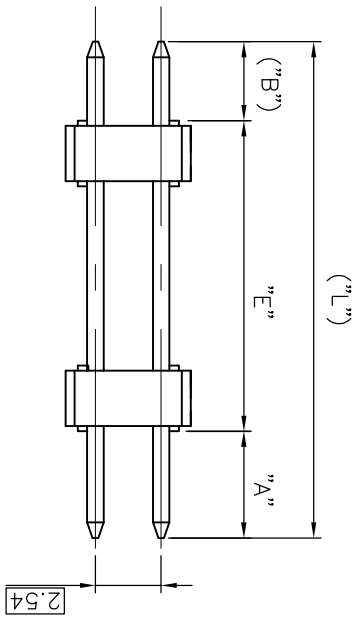
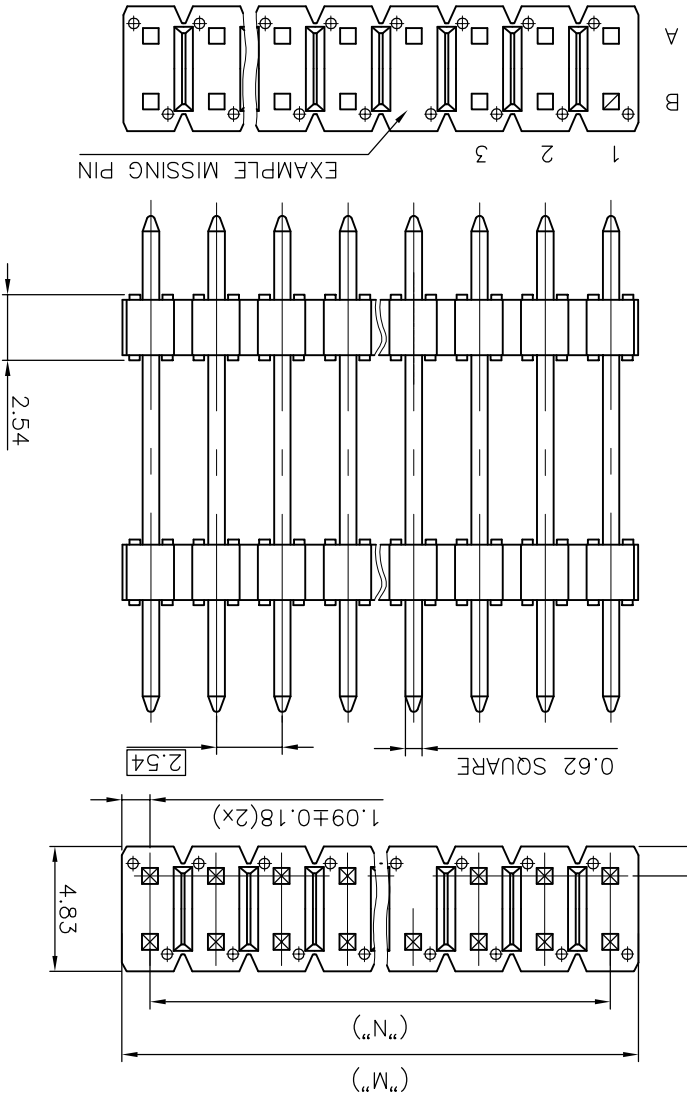
- b - MANUFACTURING PROCESS COMPATIBILITY
- THE HOUSING WILL WITHSTAND EXPOSURE TO 260°C ±5°C SOLDER BATH TEMPERATURE FOR 5 SECONDS IN A WAVE SOLDER APPLICATION WITH A 1.6mm MIN THICK CIRCUIT BOARD.
- c - PLATING:
- "LF" MEANS THE PRODUCT IS LEAD-FREE, 2µm MINIMUM MATTE TIN OVER 1.27µm MINIMUM NICKEL UNDERPLATE.

- 6. ROHS COMPATIBLE PRODUCT SPECIFICATIONS
- 5. STANDARD PACKAGING IN POLYBAGS.
- 4. FOR RETENTION FEATURE DETAILS, SEE SHEET 3. OMIT IF FEATURE NOT APPLICABLE
- 3. 1.2N MIN RETENTION IN EITHER DIRECTION.
- 2. PIN MATERIAL : PHOSPHOR BRONZE.
- 1. HOUSING MAT'L : HIGH TEMPERATURE THERMOPLASTIC. UL94V-0 COLOR: BLACK.

- NOTES:
- 1 = 0.76µm FULL GOLD/GXT, OVER 1.27µm NI MIN
  - 3 = 3.81µm FULL TIN/LEAD OVER 1.27µm NI MIN. WHEN "LF" IS REQUIRED, 2µm MATTE TIN OVER 1.27µm MIN NICKEL IS PROVIDED INSTEAD OF TIN-LEAD
  - 7 = FULL GOLD FLASH, OVER 1.27µm NI MIN
  - 8 = 0.38µm FULL GOLD/GXT, OVER 1.27µm NI MIN



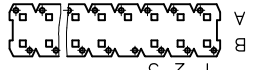
BOTTOM VIEW



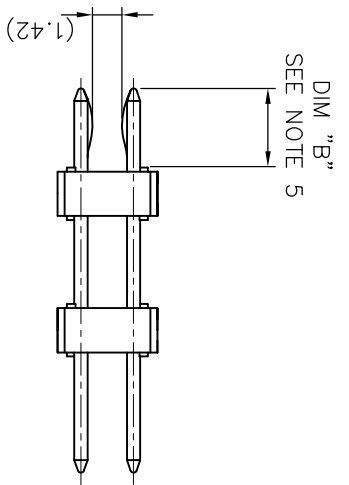
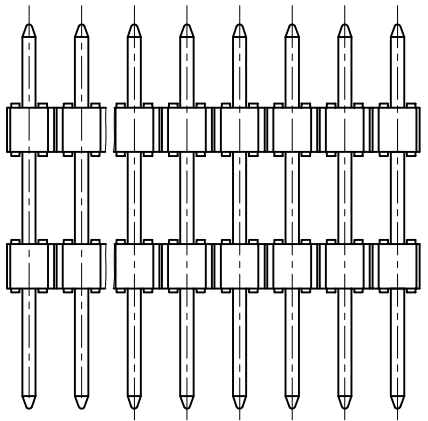
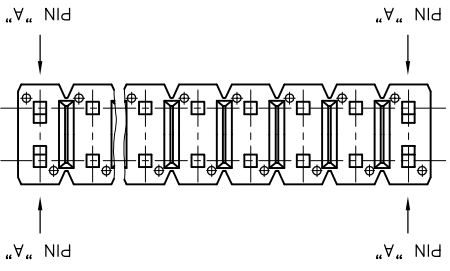
mat'l. code		ISO 1302	ISO 1101	ISO 406	ISO 1101	projection	product family	BSTIK
SEE NOTES		surface	tolerances unless otherwise specified				title	
angles		linear	xx ±0.15				scale 5:1	
X B-21151		AMA	15.06.15				dwg no	87690
Y F-22417		JJU	15.11.05				sheet 1 of 3	A3
AA F23090		JCO	16.01.20				CUSTOMER	
U F06-0196		LMU	06.06.20				Drawing	
sheet revision		AA	W					
sheet		1	2					
index		sheet						

PRODUCT NUMBER	NBR	"A" ±0.2	"E" ±0.25	"B" ±0.25	("L") REF	("M") REF	("N") REF	PRODUCT DIMENSIONS		
								1	2	3
87690-X07	2x10	11.96	18.5	3.2	33.66	25.4	22.86			
87690-X10	2x10	11.96	18.5	3.2	33.66	25.4	22.86			
87690-X15	2x07	11.96	18.5	3.2	33.66	17.78	15.24			
87690-X18	2x09	4.95	6.00	4.95	15.90	22.86	20.82			
87690-X19	2x09	8.60	6.00	8.60	23.20	22.86	20.82			
87690-X20	2x10	6.00	14.70	3.30	24.00	25.4	22.86			
87690-X21	2x19	6.00	14.70	3.30	24.00	48.26	45.72			
87690-X22	2x13	10.50	7.75	10.50	28.80	33.02	30.48			
87690-X23	2x14	8.60	6.00	8.60	23.20	35.56	33.02			
87690-X24	2x14	8.95	6.00	8.95	23.9	35.56	33.02			

VIEW OF MISSING PINS POSITION  
FROM BOTTOM VIEW



mat'l. code	ISO 1302	surface	ISO 1101	tolerance	ISO 406	ISO 1101	projection	product family	BSTIK
lfr	ecn no	dr	date	tolerances unless otherwise specified	mm	mm	mm	title	HEADER STR, DR
V	F-22417	JJU	15.11.05	angles	linear	linear	linear	scale N/A	DOUBLE BODY POL
W	F-23090	JCO	16.01.20					dwg no	87690
R	F06-0196	LMU	06.06.20	dr	O. MATHEVON	96.06.07	96.06.07	sheet 2 of -	size
S	F12-0043	LMU	12.05.02	engr	JMC	96.06.07	96.06.07	CUSTOMER	Drawing
T	B-19776	AMA	14.12.18	chr	JMC	96.06.07	96.06.07		
U	B-21151	AMA	15.06.15	qppd	JMC	96.06.07	96.06.07		
sheet	revision	sheet	index						



- NOTES:
- 1 - PART NUMBER 87690-YYX
  - 2 - PINS "A" USED FOR RETENTION.
  - 3 - DIRECTION OF RETENTION SHOWN BY ARROWS.
  - 4 - KINKED LEGS LOCATION CAN BE MOVED IF A PIN IS MISSING.
  - 5 - RETENTION VERSION ONLY AVAILABLE WHEN DIM"B" IS BETWEEN 2.9 mm AND 3.5 mm.
  - 6 - 2 AND 3 POSN KINKED HEADER ARE NOT AVAILABLE.

mat'l. code		surface	ISO 1302	tolerance	ISO 406 ISO 1101	projection	product family	BSTIK
lfr	ecn no	dr	date	tolerances unless otherwise specified			title	
A	F60421	OMA	96.06.07	angles	linear	mm	HEADER STR, DR	
B	70102	JMC	97.01.10			mm	DOUBLE BODY POL	
C	F70179	JMC	97.03.28			mm	DOUBLE BODY POL	
D	F70815	OMA	97.12.23	dr	O. MATHEVON	96.06.07	dwg no	87690
E	F80321	JMC	98.05.04	engr	JMC	96.06.07	sheet 3 of 3	A3
F	F05-0291	JCO	05.11.14	chr	JMC	96.06.07	type	CUSTOMER
G	F06-0196	LMU	06.06.20	ppd	JMC	96.06.07	Drawing	
sheet	revision							
index	sheet							

## X-ON Electronics

Largest Supplier of Electrical and Electronic Components

*Click to view similar products for [Headers & Wire Housings](#) category:*

*Click to view products by [FCT Electronics](#) manufacturer:*

Other Similar products are found below :

[95000-104TRLF](#) [10135584-644402LF](#) [DF62W-EP2022PCA](#) [95000-106TRLF](#) [DF62W-2022SCA](#) [DF62W-EP2022PC](#) [2203348](#) [DF62W-2022SC](#) [1084018](#) [1029039](#) [1084017](#) [802-10-012-10-002000](#) [1112640](#) [1112639](#) [891-007-9SS-BST1T](#) [000-34000](#) [0008550134](#) [0009482033](#) [0009507031](#) [57102-F02-18ULF](#) [57102-S06-03LF](#) [57202-S52-04LF](#) [PCN6-15S-2.5E](#) [0039019024](#) [58102-G61-06LF](#) [582553-1](#) [0009485154](#) [0009508121](#) [0022285053](#) [0050291907](#) [018731A](#) [LY20-4P-DT1-P1E-BR](#) [02.125.8002.8](#) [60101931](#) [60598-1 \(Cut Strip\)](#) [M1625-3R/100](#) [61062-3](#) [61082-181009](#) [CSU011177004](#) [636-1427](#) [638009-1](#) [641938-9](#) [641991-4](#) [644168-1](#) [644827-2](#) [647662-1](#) [65039-019ELF](#) [65692-001LF](#) [65781-018](#) [65781-047](#)