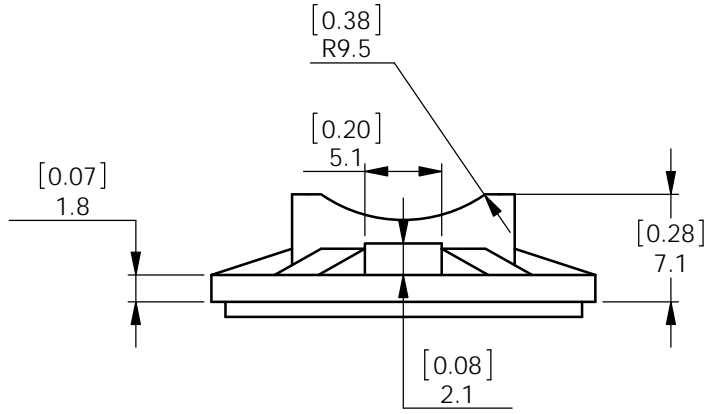
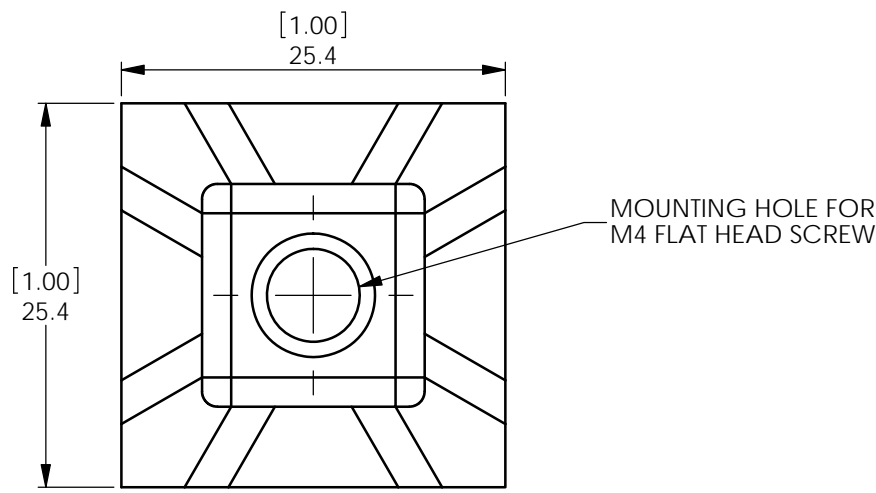


REV.	MODIFICATION.	DATE	DRN
01	Production release	09/09/09	MT
02	CO2011021	16/11/10	SF
03	CO2011062	16/02/11	SF



PART NUMBER	MATERIAL	COLOUR	ADHESIVE	CABLE TIES ACCEPTED
FTH-7-01	NYLON 6/6 UL94 V-2 (RMS-01)	NATURAL	NONE	ALL RG CABLE TIES UP TO SIZE RG-220/320
FTH-7A4-RT			0.8 THICK, DOUBLE SIDED ADHESIVE(RMS-024)	
FTH-7A1-RT			0.8 THICK, DOUBLE SIDED RUBBER ADHESIVE(RMS-102)	
FTH-7-UVB	UVB STABILIZED NYLON 6/6 (RMS-46)	BLACK	NONE	
FTH-7A4-RT-UVB			0.8 THICK, DOUBLE SIDED ADHESIVE(RMS-024)	
FTH-7A1-RT-UVB*			0.8 THICK, DOUBLE SIDED RUBBER ADHESIVE(RMS-102)	
PARTS AVAILABLE IN NYLON 6/6 UL94 V-0 (RMS-19) BY SPECIAL ORDER COLOUR:NATURAL				
* AVAILABLE BY SPECIAL ORDER				

INFORMATION CONTAINED IN THIS DOCUMENT IS CONFIDENTIAL TO RICHCO INTERNATIONAL Co. Ltd. AND MAY NOT BE DISCLOSED OR REPRODUCED IN WHOLE OR PART WITHOUT THEIR WRITTEN CONSENT.

**RICHCO, INC.**  
[WWW.RICHCO-INC.COM](http://WWW.RICHCO-INC.COM)

ALL DIMENSIONS IN mm[Inch]  
 GENERAL TOLERANCES ±0.25  
 UNLESS OTHERWISE STATED  
 1 DECIMAL PLACE ±  
 2 DECIMAL PLACES ±  
 ANGULAR ±1°

THIRD ANGLE

MATERIAL: SEE TABLE      COLOUR: SEE TABLE

DESCRIPTION: FLAT TIE HOLDER ON ADHESIVE BASE      PART No: SEE TABLE

DRG No: 09-096      NPR No:      SHEET SIZE A4

DRN MT	DATE 09/09/09	CHKD TC	DATE 09/09/09	SCALE NTS	SHEET No. 1 OF 1
-----------	------------------	------------	------------------	--------------	---------------------

## X-ON Electronics

Largest Supplier of Electrical and Electronic Components

*Click to view similar products for [Cable Ties](#) category:*

*Click to view products by [Richco](#) manufacturer:*

Other Similar products are found below :

[20093-0](#) [SJ-3463](#) [SJ3518FR-1x50](#) [SJ3526N-Beige-2"x50yd](#) [SJ3526N BLACK 58" X 50YD](#) [SJ3571](#) [SJ-3571-1"x50yd-Black](#) [20113-0](#)  
[T56137](#) [3-350087-0](#) [CTB75X75BKA-C](#) [3722](#) [561-B110120](#) [561-EZAB580T](#) [561-EZS375B40](#) [561-N3510](#) [561-TA250125](#) [08350-0](#) [08443-0](#)  
[08600-0](#) [10035-0](#) [10036-0](#) [10037-0](#) [10325-0](#) [10362-0](#) [10606-0](#) [561-EZ250](#) [561-EZ500](#) [561-EZ625](#) [561-EZ750](#) [561-TA00600](#) [SJ3519FR](#)  
[BLACK 1X50](#) [SJ3527N-Beige-2"x50yd](#) [SJ3527N-LOOP-BLACK-1](#) [SJ3572-2"x50yd-Black](#) [157-00039](#) [3719](#) [SJ-3401 BLACK 1"](#) [08445-0](#)  
[08582-0](#) [08386-0](#) [10431-0](#) [08359-0](#) [10056-0](#) [10620-0](#) [10345-0](#) [10344-0](#) [08416-0](#) [08384-0](#) [08401-0](#)