

## Product Specification

### 10km Multi-rate 100G QSFP28 Optical Transceiver Module FTLC1151SDPL

#### PRODUCT FEATURES

- Hot-pluggable QSFP28 form factor
- Supports 103.1Gb/s and 112Gb/s aggregate bit rates
- Power dissipation < 3.5W
- RoHS-6 compliant
- Commercial case temperature range of 0°C to 70°C
- Single 3.3V power supply
- Maximum link length of 10km on Single Mode Fiber (SMF)
- 4x28Gb/s DFB-based LAN-WDM transmitter
- 4x28G retimed electrical interface
- Duplex LC receptacles
- I2C management interface



#### APPLICATIONS

- OTN OTU4 4I1-9D1F
- 100GBASE-LR4 100G Ethernet

Finisar's FTLC1151SDPL QSFP28 transceiver modules are designed for use in 100 Gigabit Ethernet and 4x28G OTN client interfaces over single mode fiber. They are compliant with the QSFP28 MSA<sup>1</sup>, IEEE 802.3ba 100GBASE-LR4<sup>2</sup> and OTU4 4I1-9D1F requirements specified in ITU-T Recommendations G.959.1/G.709 and Supplement 39 (G.sup39). Digital diagnostics functions are available via the I2C interface, as specified by the QSFP28 MSA and Finisar Application Note AN-2152<sup>5</sup>. The transceiver is RoHS-6 compliant per Directive 2011/65/EC<sup>4</sup> and Finisar Application Note AN-2038<sup>5</sup>.

#### PRODUCT SELECTION

### FTLC1151SDPL

- S: OTU4 maximum bit rate (112 Gb/s)
- D: 4x28G LAN-WDM optical architecture
- P: Pull-tab release
- L: LC straight receptacles

## I. Pin Descriptions



Figure 1 – QSFP28-compliant 38-pin connector (per SFF-8679)

Pin	Symbol	Name/Description	Notes
1	GND	Ground	1
2	Tx2n	Transmitter Inverted Data Input	
3	Tx2p	Transmitter Non-Inverted Data Input	
4	GND	Ground	1
5	Tx4n	Transmitter Inverted Data Input	
6	Tx4p	Transmitter Non-Inverted Data Input	
7	GND	Ground	1
8	ModSelL	Module Select	
9	ResetL	Module Reset	
10	Vcc Rx	+3.3 V Power supply receiver	
11	SCL	2-wire serial interface clock	
12	SDA	2-wire serial interface data	
13	GND	Ground	1
14	Rx3p	Receiver Non-Inverted Data Output	
15	Rx3n	Receiver Inverted Data Output	
16	GND	Ground	1
17	Rx1p	Receiver Non-Inverted Data Output	
18	Rx1n	Receiver Inverted Data Output	
19	GND	Ground	1
20	GND	Ground	1
21	Rx2n	Receiver Inverted Data Output	
22	Rx2p	Receiver Non-Inverted Data Output	
23	GND	Ground	1
24	Rx4n	Receiver Inverted Data Output	
25	Rx4p	Receiver Non-Inverted Data Output	
26	GND	Ground	1
27	ModPrsL	Module Present	
28	IntL	Interrupt	
29	Vcc Tx	+3.3 V Power supply transmitter	

30	Vcc1	+3.3 V Power Supply	
31	LPMODE	Low Power Mode	
32	GND	Ground	1
33	Tx3p	Transmitter Non-Inverted Data Input	
34	Tx3n	Transmitter Inverted Data Input	
35	GND	Ground	1
36	Tx1p	Transmitter Non-Inverted Data Input	
37	Tx1n	Transmitter Inverted Data Input	
38	GND	Ground	1

Notes

1. Circuit ground is internally isolated from chassis ground.

**II. Absolute Maximum Ratings**

Module performance is not guaranteed beyond the operating range (see Section VI). Exceeding the limits below may damage the transceiver module permanently.

Parameter	Symbol	Min	Typ	Max	Unit	Ref.
Maximum Supply Voltage	V <sub>cc</sub>	-0.5		3.6	V	
Storage Temperature	T <sub>S</sub>	-40		+85	°C	
Case Operating Temperature	T <sub>OP</sub>	0		+70	°C	
Relative Humidity	RH	15		85	%	1
Receiver Damage Threshold, per Lane	P <sub>Rdmg</sub>	5.5			dBm	

Notes:

1. Non-condensing.

**III. Electrical Characteristics (EOL, T<sub>OP</sub> = 0 to +70 °C, V<sub>CC</sub> = 3.135 to 3.465 Volts)**

Parameter	Symbol	Min	Typ	Max	Unit	Ref.
Supply Voltage	V <sub>cc</sub>	3.135		3.465	V	
Supply Current	I <sub>cc</sub>			1.12	A	
Module total power	P			3.5	W	1
<b>Transmitter</b>						
Signaling rate per lane		25.78		27.95	Gb/s	
Differential data input swing per lane	V <sub>in,pp</sub>			900	mV	
Differential input return loss (min) at LR4	RL <sub>d</sub> (f)	9.5 – 0.37f, 0.01 ≤ f < 8 4.75 – 7.4log <sub>10</sub> (f/14), 8 ≤ f < 19			dB	
Differential to common mode input return loss (min) at LR4	RL <sub>dc</sub> (f)	22-20(f/25.78), 0.01 ≤ f < 12.89 15-6(f/25.78), 12.89 ≤ f < 19			dB	
Differential input return loss (min) at OTU4	SDD11	-11, 0.05 < f < fb -6.0+9.2log <sub>10</sub> (2f/fb), fb/7 < f < fb			dB	2
Different to common mode input return loss (min) at OTU4	SDC11 SCD11	-22+14(f/fb), 0.05 < f < fb/2 -18+6f/fb, fb/2 < f < fb			dB	2
Differential termination mismatch				10	%	
Stressed input parameters						
Eye width			0.46		UI	
Applied pk-pk sinusoidal jitter		Per IEEE 802.3bm Table 88-13				
Eye height			95		mV	
DC common mode voltage		-350		2850	mV	

Receiver						
Signaling rate per lane		25.78125		27.9525	GBd	
Differential data output swing	Vout,pp	100		400	mVpp	3
		300		600		
		400		800		
		600		1200		
Eye width	EW15	0.57			UI	4
Eye height	EH15	228			mV	4
Vertical eye closure				5.5	dB	
Differential output return loss (min) at LR4	RLd(f)	9.5 – 0.37f, 0.01 ≤ f < 8 4.75 – 7.4log <sub>10</sub> (f/14), 8 ≤ f < 19			dB	
Common to differential mode conversion return loss (min) at LR4	RLdc(f)	22-20(f/25.78), 0.01 ≤ f < 12.89 15-6(f/25.78), 12.89 ≤ f < 19			dB	
Differential output return loss (min) at OTU4	SDD22	-11, 0.05 < f < fb -6.0+9.2log <sub>10</sub> (2f/fb), fb/7 < f < fb			dB	2
Common to differential mode conversion return loss (min) at OTU4	SDC22 SCD22	-25+20(f/fb), 0.05 < f < fb/2 -18+6f/fb, fb/2 < f < fb			dB	2
Common mode return loss at OTU4	SCC22			-2	dB	5
Common mode noise, RMS				17.5	mV	
Differential termination mismatch				10	%	
Transition time, 20% to 80% at LR4	t <sub>r</sub> , t <sub>f</sub>	12			ps	
Transition time, 20% to 80% at OTU4	t <sub>r</sub> , t <sub>f</sub>	9.5			ps	

## Notes:

1. Maximum total power value is specified across the full temperature and voltage range.
2. fb is the data rate per lane in Gb/s
3. Output voltage is settable in 4 discrete ranges via I2C. Default range is 400 – 800 mV.
4. Defined at 10<sup>-15</sup> probability.
5. From 250 MHz to 30 GHz.

#### IV. Optical Characteristics (EOL, T<sub>OP</sub> = 0 to +70 °C, V<sub>CC</sub> = 3.135 to 3.465 Volts)

##### OTU4 4I1-9D1F Operation

Parameter	Symbol	Min	Typ	Max	Unit	Ref.
<b>Transmitter</b>						
Signaling Speed per Channel		27.9525 ± 20 ppm			Gb/s	1
Channel center wavelengths (range)		1294.53 – 1296.59 1299.02 – 1301.09 1303.54 – 1305.63 1308.09 – 1310.19			nm	
Total Average Launch Power	P <sub>OUT</sub>			10	dBm	
Average Launch Power per Channel	TXP <sub>x</sub>	-0.6		4.0	dBm	
Optical Channel Extinction Ratio	ER	4.0		6.5	dB	
Channel Power Difference	ΔP <sub>OUT</sub>			5	dB	
Optical Return Loss	ORL			20	dB	
Transmitter eye mask definition {X1, X2, X3, Y1, Y2, Y3}		{0.25, 0.4, 0.45, 0.25, 0.28, 0.4}				2
<b>Receiver</b>						
Signaling Speed per Channel		27.9525 ± 20 ppm			GBd	3
Channel center wavelengths (range)		1294.53 – 1296.59 1299.02 – 1301.09 1303.54 – 1305.63 1308.09 – 1310.19			nm	
Average Input Power per Channel	RXP <sub>x</sub>	-6.9		4.0	dBm	4
Optical Path Penalty	OPP			1.5	dB	
Equivalent Sensitivity per Channel	Rxsens			-8.4	dBm	4

Total Average Input Power	$P_{IN}$			10.0	dBm	
Channel Power Difference	$\Delta P_{IN}$			5.5	dB	
LOS De-Assert	$LOS_D$			-11.6	dBm	
LOS Assert	$LOS_A$	-24		-13.6	dBm	
LOS Hysteresis			1.5		dBm	

**Notes:**

1. Transmitter consists of 4 lasers operating at 27.95Gb/s each.
2. Hit ratio  $5 \times 10^{-5}$ .
3. Receiver consists of 4 photodetectors operating at 27.95Gb/s each.
4. Specified at a BER of  $10^{-6}$  (pre-FEC), per ITU-T G.sup39.

**100GBASE-LR4 Operation**

Parameter	Symbol	Min	Typ	Max	Unit	Ref.
<b>Transmitter</b>						
Signaling Speed per Lane		25.78125 ± 100 ppm			Gb/s	1
Lane center wavelengths (range)		1294.53 – 1296.59 1299.02 – 1301.09 1303.54 – 1305.63 1308.09 – 1310.19			nm	
Total Average Launch Power	$P_{OUT}$			10.5	dBm	
Transmit OMA per Lane	$TxOMA$	-1.3		4.5	dBm	
Average Launch Power per Lane	$TXP_x$	-4.3		4.5	dBm	2
Optical Extinction Ratio	ER	4			dB	
Sidemode Suppression ratio	$SSR_{min}$	30			dB	
Average launch power of OFF transmitter, per lane				-30	dBm	
Relative Intensity Noise	RIN			-130	dB/Hz	
Optical Return Loss Tolerance				20	dB	
Transmitter Reflectance				-12	dB	
Transmitter eye mask definition {X1, X2, X3, Y1, Y2, Y3}		{0.25, 0.4, 0.45, 0.25, 0.28, 0.4}				3
<b>Receiver</b>						
Signaling Speed per Lane		25.78125 ± 100 ppm			GBd	4
Lane center wavelengths (range)		1294.53 – 1296.59 1299.02 – 1301.09 1303.54 – 1305.63 1308.09 – 1310.19			nm	
Receive Power (OMA) per Lane	$RxOMA$			4.5	dBm	
Average Receive Power per Lane	$RXP_x$	-10.6		4.5	dBm	5
Receiver Sensitivity (OMA) per Lane	$Rxsens$			-8.6	dBm	
Return Loss	RL	-26			dB	
Stressed Receiver Sensitivity (OMA) per Lane	SRS			-6.8	dBm	6
Receive electrical 3 dB upper cutoff frequency, per lane				31	GHz	
LOS De-Assert	$LOS_D$			-11.6	dBm	
LOS Assert	$LOS_A$	-24		-13.6	dBm	
LOS Hysteresis			1.5		dBm	

**Notes:**

1. Transmitter consists of 4 lasers operating at 25.78Gb/s each.
2. Minimum value is informative.
3. Hit ratio  $5 \times 10^{-5}$ .
4. Receiver consists of 4 photodetectors operating at 25.78Gb/s each.
5. Minimum value is informative, equals min  $TxOMA$  with infinite ER and max channel insertion loss.
6. SRS is measured with vertical eye closure penalty of 1.8 dB max, J2 of 0.30 UI, and J9 of 0.47 UI.

## V. General Specifications

Parameter	Symbol	Min	Typ	Max	Units	Ref.
Bit Rate (all wavelengths combined)	BR	103.1		112.0	Gb/s	1
Bit Error Ratio @25.78Gb/s	BER1			$10^{-12}$		2
Bit Error Ratio @27.95Gb/s	BER2			$10^{-6}$		3
<b>Maximum Supported Distances</b>						
Fiber Type						
SMF per G.652	Lmax1			10	km	

### Notes:

- Supports OTU4 4I1-9D1F per ITU-T G.959.1 and 100GBASE-LR4 per IEEE 802.3ba.
- Tested with a  $2^{31} - 1$  PRBS.
- Tested with a  $2^{31} - 1$  PRBS. Per ITU-T G.959.1 and G.sup39, the BER of  $10^{-12}$  for the OTU4 (112 Gb/s) application code is required to be met only after forward error correction has been applied. ITU-T G.sup39 defines the pre-FEC BER to be met as  $10^{-6}$ . The values for receiver sensitivity and optical path penalty measured at the receiver output at a BER of  $10^{-6}$  will normally be conservative estimates of the values for receiver sensitivity and path penalty at the BER of  $10^{-12}$  after the FEC decoder.

## VI. Environmental Specifications

Finisar FTLC1151SDPL QSFP28 transceivers have an operating case temperature range of 0°C to +70°C.

Parameter	Symbol	Min	Typ	Max	Units	Ref.
Case Operating Temperature	T <sub>op</sub>	0		+70	°C	
Storage Temperature	T <sub>sto</sub>	-40		+85	°C	

## VII. Regulatory Compliance

Finisar FTLC1151SDPL QSFP28 transceivers are Class 1 Laser Products. They are certified per the following standards:

Feature	Agency	Standard
Laser Eye Safety	FDA/CDRH	CDRH 21 CFR 1040 and Laser Notice 50
Laser Eye Safety	TÜV	EN 60825-1: 2007 IEC 60825-2: 2004+A1+A2
Electrical Safety	TÜV	EN 60950
Electrical Safety	UL/CSA	CLASS 3862.07 CLASS 3862.87

Copies of the referenced certificates are available at Finisar Corporation upon request.

### VIII. Digital Diagnostics Functions

FTLC1151SDPL QSFP28 transceivers support the I2C-based diagnostics interface specified by the SFF Committee<sup>1</sup>. See also Finisar Application Note AN-2152.

### IX. Memory Contents

Per SFF-8665 Specification<sup>1</sup>. See Finisar Application Note AN-2152.

### XI. Mechanical Specifications

Finisar FTLC1151SDPL transceivers are compatible with the QSFP28 Specification for pluggable form factor modules.

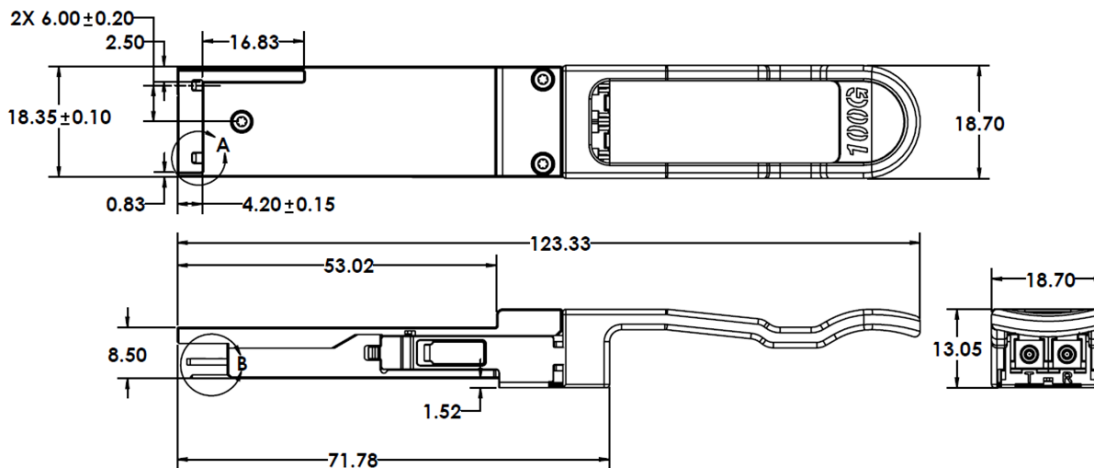


Figure 2. FTLC1151SDPL Mechanical Dimensions.

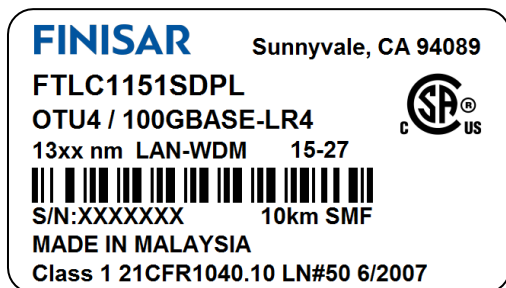


Figure 3. Product Label

**XII. References**

1. SFF-8665: “QSFP+ 28Gb/s 4X Pluggable Transceiver Solution (QSFP28)”, Rev 1.6 (Draft), June 4, 2012 (and associated SFF documents)
  - i. SFF-8661
  - ii. SFF-8679
  - iii. SFF-8636
  - iv. SFF-8662
  - v. SFF-8663
  - vi. SFF-8672
  - vii. SFF-8683
2. IEEE 802.3ba, PMD Type 100GBASE-LR4.
3. Directive 2011/65/EU of the European Parliament and of the Council, “on the restriction of the use of certain hazardous substances in electrical and electronic equipment,” July 1, 2011.
4. “Application Note AN-2038: Finisar Implementation Of RoHS Compliant Transceivers”, Finisar Corporation, January 21, 2005.
5. “Application Note AN-2152: QSFP28 LR4 NVR Map”, Finisar Corporation, January 2016.
6. IEEE 802.3bm, CAUI-4 Interface.
7. OIF CEI-28G-VSR Interface

**For More Information:**

Finisar Corporation  
1389 Moffett Park Drive  
Sunnyvale, CA 94089-1133  
Tel. 1-408-548-1000  
Fax 1-408-541-6138  
[sales@finisar.com](mailto:sales@finisar.com)  
[www.finisar.com](http://www.finisar.com)



## X-ON Electronics

Largest Supplier of Electrical and Electronic Components

*Click to view similar products for [Fiber Optic Transmitters, Receivers, Transceivers](#) category:*

*Click to view products by [Finisar](#) manufacturer:*

Other Similar products are found below :

[FWLF-1521-7D-47](#) [FWLF-1521-7D-61](#) [HFBR-1532ETZ](#) [HFBR-2541ETZ](#) [HFBR-2602Z](#) [AFBR-0548Z](#) [AFBR-1639Z](#) [AFBR-1539Z](#) [AFBR-2634Z](#) [AFCT-5962ATLZ](#) [FTLX3813M354](#) [HFBR-2531ETZ](#) [STV.2413-574-00262](#) [TRPRG1VA1C000E2G](#) [TORX1952\(6M,F\)](#)  
[TOTX1350\(F\)](#) [TOTX1350\(V,F\)](#) [FTLX3813M349](#) [HFBR-2542ETZ](#) [SCN-1428SC](#) [AFBR-POC406L](#) [HFBR-2506AFZ](#) [FTLX1871M3BNL](#)  
[FWLF-1521-7D-49](#) [HFBR-1542ETZ](#) [FWLF-1519-7D-49](#) [HFBR-2532ETZ](#) [AFBR-1541CZ](#) [TORX1355\(V,F\)](#) [AFBR-1521CZ](#) [LTK-ST11MB](#)  
[TORX1355\(F\)](#) [HFD8003-002/XBA](#) [HFD3020-500-ABA](#) [S6846](#) [SCN-2638SC](#) [FTL410QE4N](#) [SCN-1570SC](#) [SCN-1601SC](#) [SCN-1338SC](#)  
[HFBR-1505CFZ](#) [AFBR-1528CZ](#) [AFBR-1531CZ](#) [HFD3081-108-XBA](#) [HFD8003-500-XBA](#) [SCN-1255SC](#) [SCN-1383SC](#) [1019682](#) [1019683](#)  
[1019705](#)