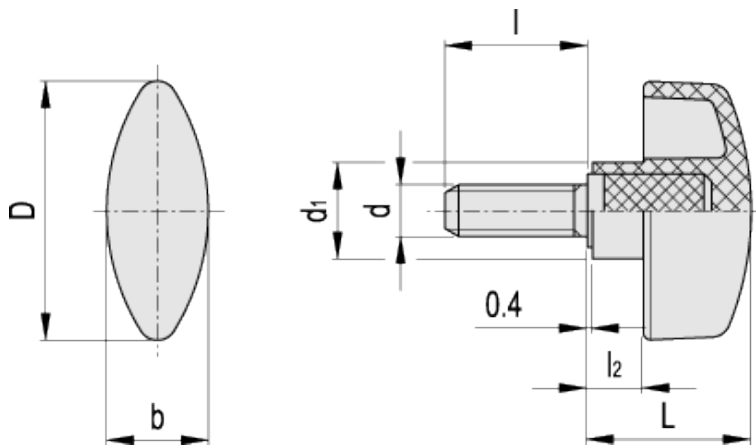


CTL.476 p

Wing knobs



ELESA Original design



technical informations

Material

Glass-fibre reinforced polyamide based (PA) technopolymer. Resistant to solvents, oils, greases and other chemical agents.

Colour

Black, matte finish.

Standard execution

Zinc-plated steel threaded stud, chamfered flat end according to UNI 947 : ISO 4753 (see [Technical Data](#)).

Features and applications

These wing knobs allow high tightening torque values. Moreover, the elongated hub makes the grip easier.

Standard Elements		Main dimensions					Threaded stud		Weight
Code	Description	D	L	b	d ₁	l ₂	d _{6g}	l	g

8721	CTL.476/30 p-M6x10	32	20	13	11	5.5	M6	10	9
8722	CTL.476/30 p-M6x16	32	20	13	11	5.5	M6	16	11
8723	CTL.476/30 p-M6x20	32	20	13	11	5.5	M6	20	13
8751	CTL.476/40 p-M8x16	40	24.5	15.5	14	7.5	M8	16	16
8753	CTL.476/40 p-M8x25	40	24.5	15.5	14	7.5	M8	25	19
8781	CTL.476/48 p-M8x16	48	28	19	17	9	M8	16	21
8783	CTL.476/48 p-M8x25	48	28	19	17	9	M8	25	27
8811	CTL.476/56 p-M10x20	56	34	21	18.5	11	M10	20	29
8813	CTL.476/56 p-M10x30	56	34	21	18.5	11	M10	30	35



ELESA and GANTER models all rights reserved in accordance with the law. Always mention the source when reproducing our drawings.

STANDARD MACHINE ELEMENTS WORLDWIDE

X-ON Electronics

Largest Supplier of Electrical and Electronic Components

Click to view similar products for [Knobs & Dials](#) category:

Click to view products by [Elesa & Ganter](#) manufacturer:

Other Similar products are found below :

[015-2-11](#) [61-9028.20](#) [61-9028.9](#) [8529](#) [8573](#) [11K5015-EMNB](#) [11K5019-ECNB](#) [11K5020-KLAB](#) [11K5028-JMNG](#) [11K5048-KMNB](#) [11K5014-EMNB](#) [11K5019-EMNB](#) [11K5029-KMNG](#) [P400S-08-D6-N](#) [K6510](#) [KNSL500B1/8](#) [27708-2](#) [T48901](#) [AL811BA18](#) [420031B18](#) [5006](#) [51216](#) (GREY) [KB700BA1/4](#) [KS700B14](#) [411](#) [5149A](#) [028-1-11](#) [52-928.20](#) [52-928.60](#) [52-928.9](#) [8517](#) [8545](#) [8546](#) [8570](#) [8572](#) [H-516-3A](#) [P861H-0X-S6](#) [8544](#) [11K5014-JMNG](#) [11K5014-KMNG](#) [11K5014-ECNG](#) [5700E](#) [KA500B18](#) [KFS600B14](#) [KN900AB14](#) [KFS500B14](#) [KNS501B18](#) [PKD60B1018](#) [PK1100B18](#) [PKES140B14](#)