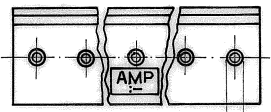
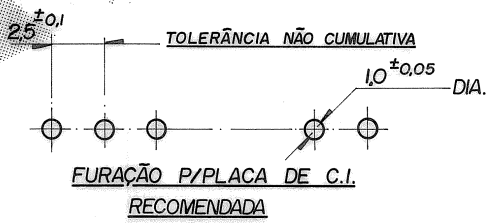
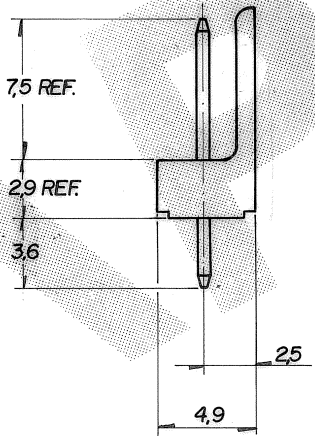
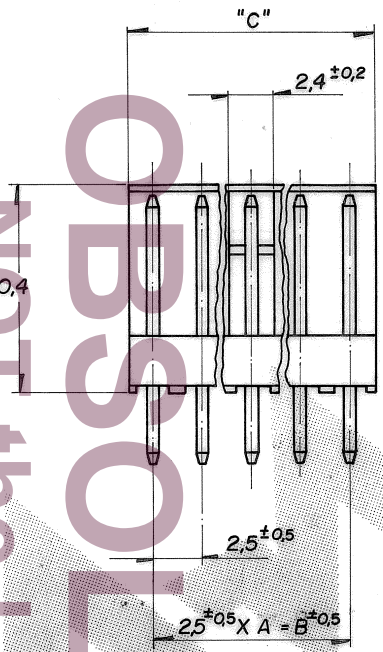


C 880222
1 of 2



$\varnothing 0,64 \pm 0,05$



RESTRITO PARA TELEFUNKEN

OBSOLETE
See Sheet 2 of 2

1 - MATERIAL - HEADER: NYLON 6/6 94-VO
PINO: LATÃO -ESTANHO SOBRE NICKEL.

2 - OBSOLETE PARTS: OBSOLETE CIS STREAMLINING PER D.RENAUD/ D.SINISI.

OBSOLETE

See Sheet 2 of 2
OBSOLETE

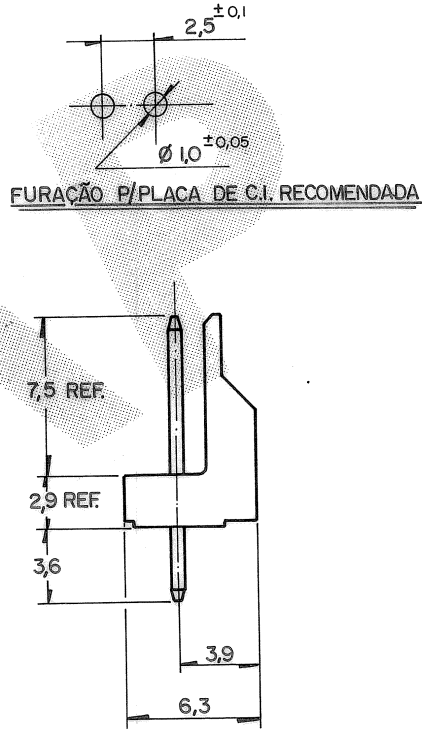
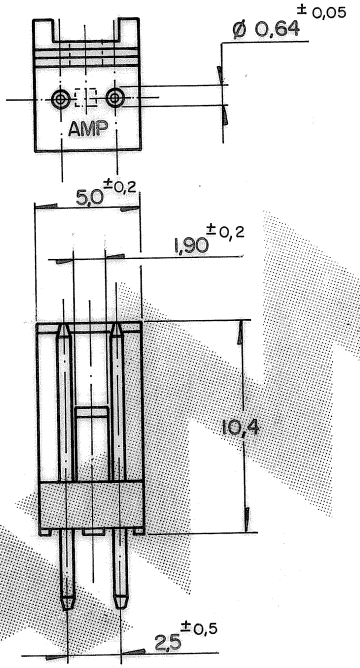
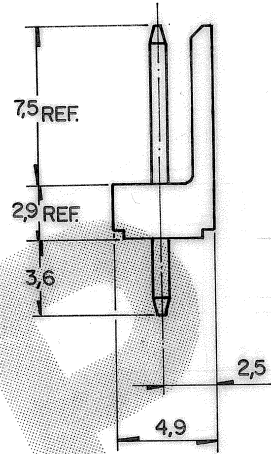
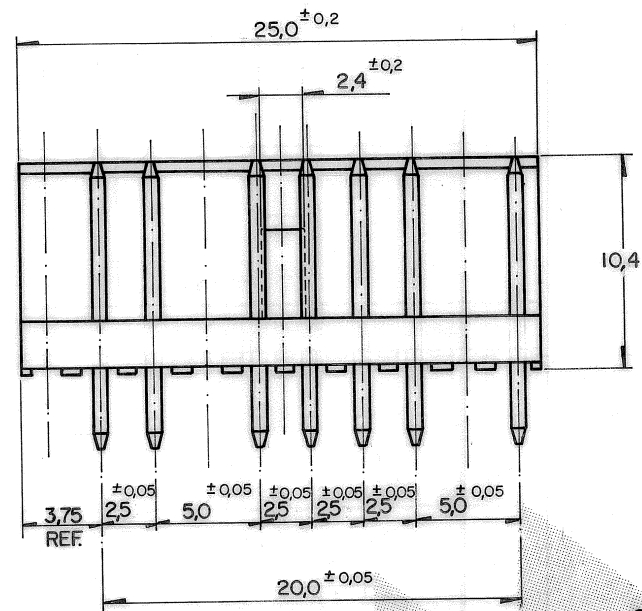
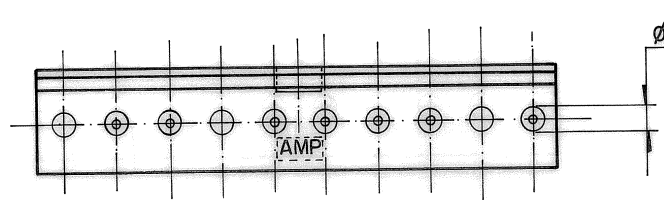
| | | | | | | | | | |
|------|------|----|----|--|--|---------|--|----|----|
| 300 | 27,5 | 11 | 12 | | | | | 5- | -2 |
| 27,5 | 25,0 | 10 | 11 | | | | | 5- | -1 |
| 25,0 | 22,5 | 9 | 10 | | | | | 5- | -0 |
| 22,5 | 20,0 | 8 | 9 | | | | | 4- | -9 |
| 20,0 | 17,5 | 7 | 8 | | | | | 4- | -8 |
| 17,5 | 15,0 | 6 | 7 | | | | | 4- | -7 |
| 15,0 | 12,5 | 5 | 6 | | | | | 4- | -6 |
| 12,5 | 10,0 | 4 | 5 | | | | | 4- | -5 |
| 10,0 | 7,5 | 3 | 4 | | | | | 4- | -4 |
| 7,5 | 5,0 | 2 | 3 | | | | | 4- | -3 |
| | | | | | | NATURAL | | 4- | -2 |
| 37,5 | 35,0 | 14 | 15 | | | | | 3- | -5 |
| 35,0 | 32,5 | 13 | 14 | | | | | 3- | -4 |
| 32,5 | 30,0 | 12 | 13 | | | | | 3- | -3 |
| 30,0 | 27,5 | 11 | 12 | | | | | 3- | -2 |
| 27,5 | 25,0 | 10 | 11 | | | | | 3- | -1 |
| 25,0 | 22,5 | 9 | 10 | | | | | 3- | -0 |
| 22,5 | 20,0 | 8 | 9 | | | | | 2- | -9 |
| 20,0 | 17,5 | 7 | 8 | | | | | 2- | -8 |
| 17,5 | 15,0 | 6 | 7 | | | | | 2- | -7 |
| 15,0 | 12,5 | 5 | 6 | | | | | 2- | -6 |
| 12,5 | 10,0 | 4 | 5 | | | | | 2- | -5 |
| 10,0 | 7,5 | 3 | 4 | | | | | 2- | -4 |
| 7,5 | 5,0 | 2 | 3 | | | | | 2- | -3 |
| | | | | | | PRETO | | 2- | -2 |
| 37,5 | 35,0 | 14 | 15 | | | | | 1- | -5 |
| 35,0 | 32,5 | 13 | 14 | | | | | 1- | -4 |
| 32,5 | 30,0 | 12 | 13 | | | | | 1- | -3 |
| 30,0 | 27,5 | 11 | 12 | | | | | 1- | -2 |
| 27,5 | 25,0 | 10 | 11 | | | | | 1- | -1 |
| 25,0 | 22,5 | 9 | 10 | | | | | 1- | -0 |
| 22,5 | 20,0 | 8 | 9 | | | | | 2 | -9 |
| 20,0 | 17,5 | 7 | 8 | | | | | | -8 |
| 17,5 | 15,0 | 6 | 7 | | | | | | -7 |
| 15,0 | 12,5 | 5 | 6 | | | | | | -6 |
| 12,5 | 10,0 | 4 | 5 | | | | | | -5 |
| 10,0 | 7,5 | 3 | 4 | | | | | | -4 |
| 7,5 | 5,0 | 2 | 3 | | | | | | -3 |

REVISION NOT the LATEST OBSOLETE

| | | | | | | | |
|---|--|--|--|---|--|--|--|
| CUSTOMER DWG for REFERENCE ONLY | | | | THIS DRAWING IS UNPUBLISHED. RELEASED FOR PUBLICATION | | | |
| J3 REV. ECO. 10.016285 HC WLS DEC. 10 | | | | © COPYRIGHT 19 BY AMP DO BRASIL LTDA S.P. ALL INTERNATIONAL RIGHTS RESERVED AMP PRODUCTS MAY BE COVERED BY U.S. AND FOREIGN PATENTS AND/OR PATENTS PENDING. | | | |
| J2 REV. ECO. 09.026444 KK AEG 27NOV93 | | | | TOLERANCES UNLESS OTHERWISE STATED | | | |
| J1 Revisado E.C. 0204-93 H.C. 01 JUL 93 | | | | INS. DIA. RANGE WIRE RANGE SCALE | | | |
| J Revisado ECN 3681 H.C. 1209 91 | | | | DR. 06/03/90 | | | |
| I Revisado ECN 2668 H.C. 12-09-91 | | | | CHK. | | | |
| H Revisado ECN 2612 H.C. 30.7.91 | | | | DE. | | | |
| G Revisado ECN 2529 H.C. 28.5.91 | | | | DESCRIPTION | | | |
| F Revisado ECN 2194 H.C. 22-06-90 | | | | AMP E.I. SÉRIES HEADER ASS'Y STRAIGHT (ROUND POST) | | | |
| E Revisado ECN 2101 H.C. 06/03/90 | | | | DWG NO | | | |
| ISS REVISION RECORD DR CHK DATE APP | | | | A3 C 880222 | | | |
| | | | | SHEET 1 of 2 | | | |

DO NOT SCALE
DIMENSIONS IN

METRIC



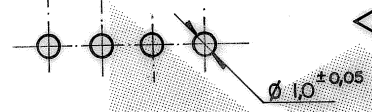
FURAÇÃO P/PLACA DE C.I. RECOMENDADA

02 POSIÇÕES

07 POSIÇÕES

2,5^{±0,1} TOLERÂNCIA NÃO CUMULATIVA

FURAÇÃO P/PLACA DE C.I. RECOMENDADA



NOTAS:

- 1 - MATERIAL: HEADER - NYLON 6/6 - 94 V-O.
PINO - LATÃO - ESTANHO SOBRE NICKEL.
- 2 - OBSOLETE PARTS: OBSOLETE CIS STREAMLINING
PER D. RENAUD / D. SINISI.

| | | | | | | |
|--------------------------------|---|---------|--|---|-----|------------|
| OBSOLETE | 7 | NATURAL | | 6 | - 1 | 2 |
| OBSOLETE RESTRITO P/TELEFUNKEN | 1 | NATURAL | | 4 | - 2 | |
| OBSOLETE | | PRETO | | 2 | - 2 | |
| | 2 | NATURAL | | | | 880222 - 2 |

| | | | | |
|--|---------|--|------------|-----------------|
| OTHER TREATMENT | Nº POS. | FINISH | MATERIAL | PART NUMBER |
| | | | | |
| CUSTOMER DWG for REFERENCE ONLY | | | | |
| THIS DRAWING IS UNPUBLISHED. RELEASED FOR PUBLICATION 19 | | | | |
| © COPYRIGHT 19 BY AMP DO BRASIL LTDA S.P. ALL INTERNATIONAL RIGHTS RESERVED. AMP PRODUCTS MAY BE COVERED BY U.S. AND FOREIGN PATENTS AND/OR PATENTS PENDING. | | | | |
| TOLERANCES UNLESS OTHERWISE STATED DEC. ± 0,5 ANGLES ± 1° | | INS. DIA. RANGE | WIRE RANGE | SCALE |
| | | | | |
| DR. H.C. CANTELO 08/Jun/93 | | Tyco Electronics TYCO ELECTRONICS DO BRASIL LTDA São Paulo - Brasil | | |
| CHK. DELUXO 14/Jun/93 | | DESCRIPTION AMP E.I. SERIES HEADER ASS'Y STRAIGHT (ROUND POST) | | |
| DE. | | DWG NO A3 | | SHEET 2 of 2 |
| ISS | | C 880222 | | |
| REVISION | RECORD | DR | CHK | DATE |
| | | | | |

50% Sheet 1 of 2

APP. 10/Jul/93

X-ON Electronics

Largest Supplier of Electrical and Electronic Components

Click to view similar products for [Headers & Wire Housings](#) category:

Click to view products by [TE Connectivity](#) manufacturer:

Other Similar products are found below :

[95000-104TRLF](#) [10135584-644402LF](#) [DF62W-EP2022PCA](#) [95000-106TRLF](#) [DF62W-2022SCA](#) [DF62W-EP2022PC](#) [2203348](#) [DF62W-2022SC](#) [1084018](#) [1029039](#) [1084017](#) [802-10-012-10-002000](#) [1112640](#) [1112639](#) [891-007-9SS-BST1T](#) [000-34000](#) [0008550134](#) [0009482033](#) [0009507031](#) [57102-F02-18ULF](#) [57102-S06-03LF](#) [57202-S52-04LF](#) [PCN6-15S-2.5E](#) [0039019024](#) [58102-G61-06LF](#) [582553-1](#) [0009485154](#) [0009508121](#) [0022285053](#) [0050291907](#) [018731A](#) [LY20-4P-DT1-P1E-BR](#) [02.125.8002.8](#) [60101931](#) [60598-1 \(Cut Strip\)](#) [M1625-3R/100](#) [61062-3](#) [61082-181009](#) [CSU011177004](#) [636-1427](#) [638009-1](#) [641938-9](#) [641991-4](#) [644168-1](#) [644827-2](#) [647662-1](#) [65039-019ELF](#) [65692-001LF](#) [65781-018](#) [65781-047](#)