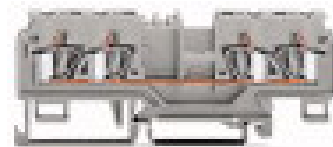


Printview: 4-conductor through terminal block; without shield contact; with test port for test plug 2 mm Ø and 2.3 mm Ø; max. insulation diameter 4.4 mm - Item No.: 880-831

WAGO® online catalog / eShop

4-conductor through terminal block; without shield contact; with test port for test plug 2 mm Ø and 2.3 mm Ø; max. insulation diameter 4.4 mm

Item No.: 880-831



4-conductor through terminal block; without shield contact; with test port for test plug 2 mm Ø and 2.3 mm Ø; max. insulation diameter 4.4 mm

Marking

RoHS ✓
Compliant

Business data

Supplier	WAGO
Item no.	880-831
GTIN / EAN	4044918560757
Content	1
Order amount	50
Customer item number	

Notes

Technical data

Miscellaneous

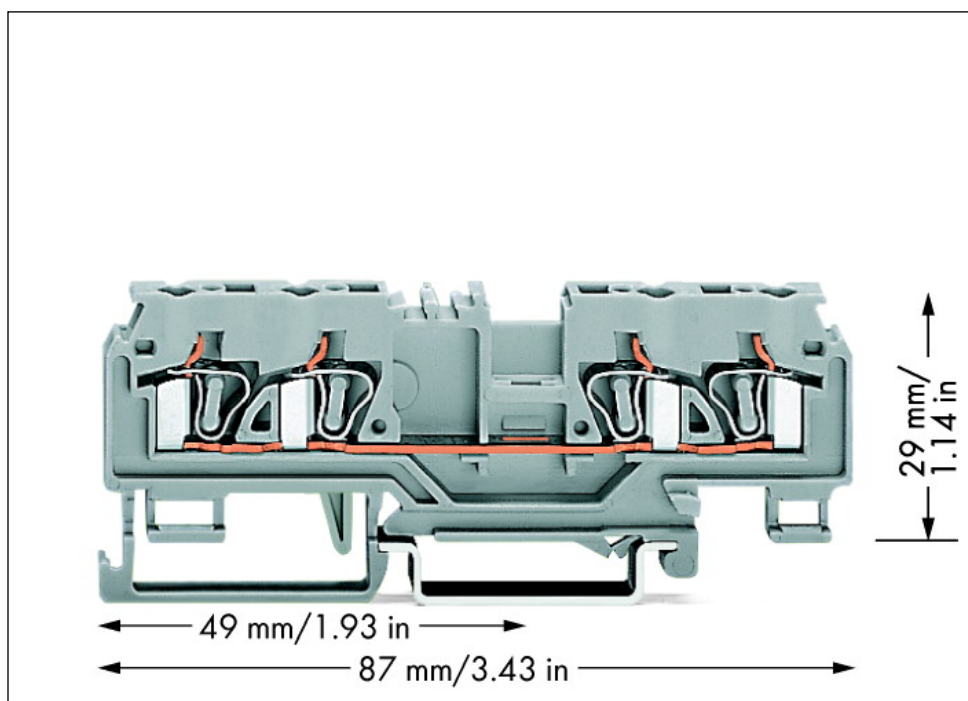
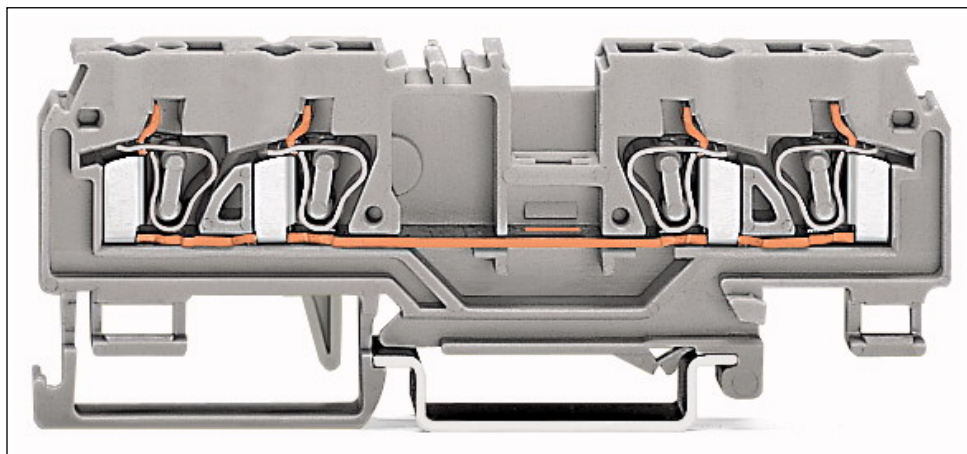
Total number of connection points	4
Total number of potentials	1
Color	gray
Ratings according to 1	IEC/EN 60947-7-1
Pollution degree (1)	3
Rated voltage EN (1) [V]	800 [V]
Rated surge voltage (1) [kV]	8 [kV]
Nominal current [A]	20 [A]

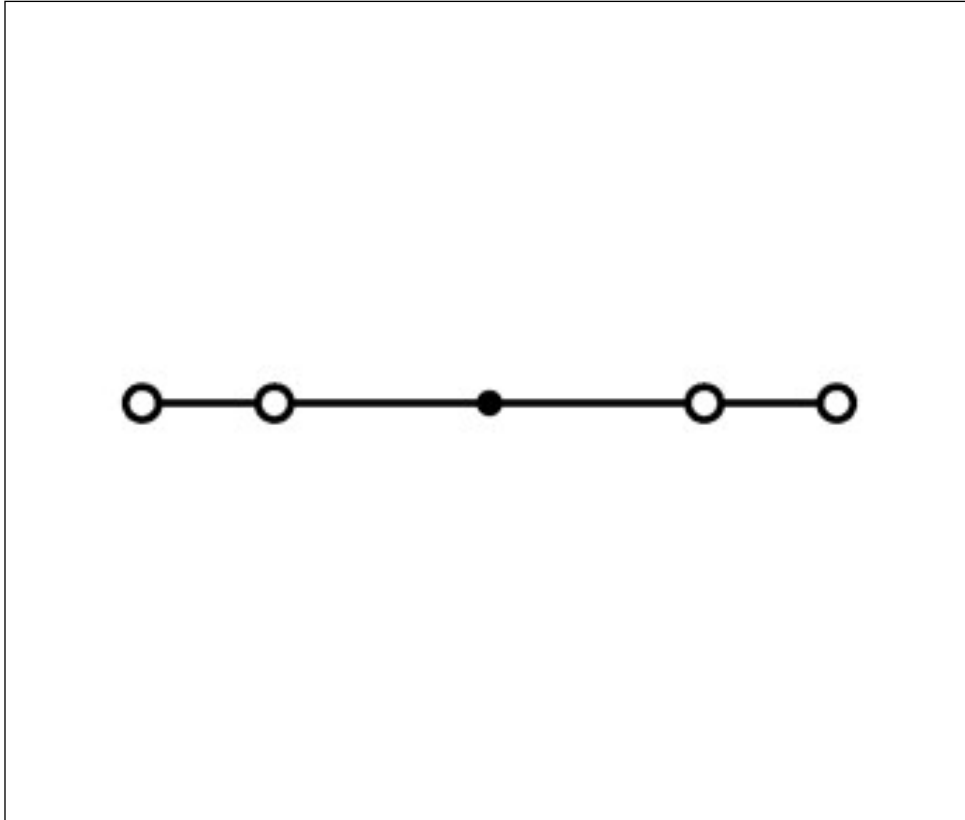
Printview: 4-conductor through terminal block; without shield contact; with test port for test plug 2 mm Ø and 2.3 mm Ø; max. insulation diameter 4.4 mm - Item No.: 880-831

Technical data	
<i>Connection technology (1)</i>	<i>CAGE CLAMP®</i>
<i>Solid sizes 1</i>	<i>0.08 ... 4 mm² / 28 ... 12 AWG</i>
<i>Fine-stranded wires 1</i>	<i>0.08 ... 4 mm² / 28 ... 12 AWG</i>
<i>Strip length 1</i>	<i>8 ... 9 mm / 0.31 ... 0.35 in</i>
<i>Type of wiring</i>	<i>Front-entry wiring</i>
<i>Design</i>	<i>horizontal</i>
<i>Marking level</i>	<i>Center marking</i>
<i>Insulating material</i>	<i>Polyamide 66 (PA 66)</i>
<i>Fire load [MJ]</i>	<i>0.176 [MJ]</i>
<i>Weight [g]</i>	<i>10.784 [g]</i>
<i>Width</i>	<i>5 mm / 0.197 in</i>
<i>Height from upper-edge of DIN-rail [mm]</i>	<i>29 [mm]</i>
<i>Height from upper-edge of DIN-rail</i>	<i>29 mm / 1.142 in</i>
<i>Length</i>	<i>87 mm / 3.425 in</i>
<i>Type of mounting</i>	<i>DIN 35 rail</i>

Printview: 4-conductor through terminal block; without shield contact; with test port for test plug 2 mm Ø and 2.3 mm Ø; max. insulation diameter 4.4 mm - Item No.: 880-831

Images & drawings





Address

WAGO Kontakttechnik GmbH & Co. KG

Hansastr. 27

32423 Minden

Telefon: 0571/887-0

Fax: 0571/887-169

<http://www.wago.com>

© WAGO Kontakttechnik GmbH & Co. KG

Technische Änderungen und Irrtümer vorbehalten.

X-ON Electronics

Largest Supplier of Electrical and Electronic Components

Click to view similar products for [DIN Rail Terminal Blocks](#) category:

Click to view products by [Wago](#) manufacturer:

Other Similar products are found below :

[1045932](#) [00110420202](#) [00110430402](#) [5724.2/L](#) [592808-3](#) [CTS25U/BL](#) [CTS2.5U-N/Y](#) [90.080](#) [91.010](#) [91.040](#) [DP25-GY-ND](#) [15288](#) [90.070](#)
[90.202](#) [90.905](#) [91.001](#) [91.020](#) [91.201](#) [91.340](#) [2713793](#) [280-331](#) [283-317](#) [283-607](#) [2909044](#) [2909798](#) [29-2052](#) [SRT2-OD08CL-1](#)
[CDL4U\(E\)MOV](#) [2757801](#) [2794660](#) [284-317](#) [2890975](#) [2907033](#) [3048496](#) [CTS2.5U-N/O](#) [5542152](#) [5602077](#) [0709880](#) [5520682](#) [5607102](#)
[EPUSC](#) [SRT2-OD16P](#) [2901288](#) [591620-2](#) [1-591651-1](#) [NRA37-1/2](#) [592814-1](#) [592814-3](#) [SRT2-ID16P](#) [NRA37-12](#)