

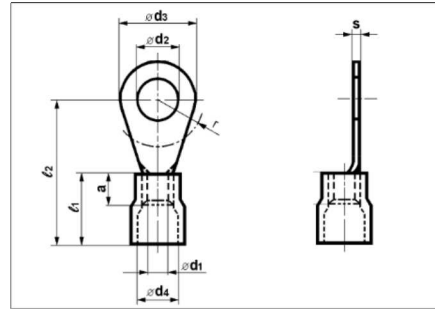
Ringkabelschuhe PVC isoliert PVC Insulated Ring Terminal



Material: E-Cu, galv. verzinkt
(Material: E-CU, el.-tinned)



DIN 46237*



PVC isoliert (Temperaturbeständigkeit von -10°C bis +75°C)
PVC insulation (Operating temperature from -10°C to +75°C)

Kabelquer- schnitt Wire mm ² (AWG)	Bolzen Stud	Bestell- bezeichnung Part No.	Nenn- größe Nominal Size DIN 46237	Maße in mm Dimensions in mm								VPE Qty/box			
				$\varnothing d_2$	$\varnothing d_3$	r	ℓ_1	ℓ_2	a	$\varnothing d_1$	$\varnothing d_4$		s		
0,5-1,5 (22-16)	2	FVGS2-1		2,2	6,0	4,5	10,0	16,0	5,0	1,6	3,2	0,8	1.000		
	3	FVGS3-1	3-1	3,2	6,0	4,5									
	3	FVGS3L-1		3,2	6,5	3,5								14,0	4,0
	3,5	FVGS3.5-1	3,5-1	3,7	6,0	4,5								16,0	5,0
	3,5	FVGS3.5L-1		3,7	6,5	3,5								14,0	4,0
	4	FVGS4M-1		4,3	7,0	5,5								16,0	5,0
	4	FVGS4-1	4-1	4,3	8,0	6,0								17,0	5,0
	5	FVGS5S-1		5,3	8,0	6,0								17,0	5,0
	5	FVGS5-1	5-1	5,3	10,0	6,5								18,0	5,0
	6	FVGS6S-1		6,5	10,0	6,5								18,0	5,0
6	FVGS6-1		6,5	12,0	10,0	22,0	5,0								
8	FVGS8-1		8,4	12,0	10,0	22,0	5,0								
1,0-2,5 (16-14)	3	FVGS3-2.5	3-2.5	3,2	6,0	4,5	11,0	17,0	5,0	2,3	4,3	0,8	1.000		
	3,5	FVGS3.5-2.5	3,5-2.5	3,7	6,0	4,5									
	3,5	FVGS3.5L-2.5		3,7	6,8	4,5								17,0	
	4	FVGS4S-2.5		4,3	6,8	4,5								17,0	
	4	FVGS4-2.5	4-2.5	4,3	8,0	6,0								18,0	
	5	FVGS5S-2.5		5,3	8,0	6,0								18,0	
	5	FVGS5-2.5	5-2.5	5,3	10,0	6,5								20,0	
	5	FVGS5M-2.5		5,3	9,5	6,5								18,0	
	6	FVGS6S-2.5		6,5	10,0	6,5								20,0	
	6	FVGS6-2.5	6-2.5	6,5	11,0	7,5								22,0	
8	FVGS8-2.5	8-2.5	8,4	14,0	10,0	23,0									
10	FVGS10-2.5		10,5	18,0	13,0	26,0	500								
12	FVGS12-2.5		13,0	18,0	13,0	26,0	500								
16	FVGS16-2.5		17,0	27,0	16,0	32,0	250								
2,5-6,0 (12-10)	4	FVGS4-6	4-6	4,3	8,0	6,0	12,0	20,0	6,0	3,6	6,4	1,0	500		
	5	FVGS5-6	5-6	5,3	10,0	6,5									
	6	FVGS6-6	6-6	6,5	11,0	7,5								22,0	
	8	FVGS8-6	8-6	8,4	14,0	10,0								25,0	
	10	FVGS10-6	10-6	10,5	18,0	12,0								27,0	
	12	FVGS12-6		13,0	18,0	12,0								27,0	

*in Anlehnung an genannte DIN-Norm
(*in the style of the specified DIN standard)

X-ON Electronics

Largest Supplier of Electrical and Electronic Components

Click to view similar products for [Terminals](#) category:

Click to view products by [JST](#) manufacturer:

Other Similar products are found below :

[HT-13-10](#) [71M-250-32-NB](#) [01-2065-1-0216](#) [00581P0075](#) [M10-10RX](#) [M10BCK](#) [60205-1](#) [604200-1](#) [60598-1-CUT-TAPE](#) [60617-1-C](#) [60873-1](#) [M14-516R/SK](#) [M14-6RSX](#) [M18-10FLX](#) [M18-8FBX](#) [M18-8R/LX](#) [M18BCK](#) [61314-6-C](#) [61-S](#) [61-SN-A](#) [62-NBM-A](#) [63-S](#) [640179-1](#) [640917-2-CUT-TAPE](#) [6501550002](#) [66107-2-C](#) [696683-1](#) [696834-1](#) [696861-1](#) [696931-1](#) [696999-1](#) [M8-516RK](#) [M86700006](#) [MA250DMFMX-A](#) [701-2007](#) [701-2307](#) [701-7761-03](#) [70F-110-32-PB](#) [718-N-A](#) [71M-187-20-NBL](#) [71M-250-32-NBL](#) [72F-187-20-NBL](#) [72M-250-32-NBL](#) [7310](#) [73F-250-32](#) [73F-250-32-NBL](#) [73F-250-32-NL](#) [F14-10C](#) [F-1M](#) [751-250](#)