

Product Data Sheet

Amphenol® Subminiature JT/LJT MIL-C-27599 Solder Contact Connectors

No. 158-1

The popular Amphenol® MIL-C-38999 Series I and II (LJT and JT respectively) are also available in solder versions as both commercial parts and military qualified to MIL-C-27599.

Amphenol JT/LJT MIL-C-27599 solder contact connectors offer the following benefits:

- Lightweight, space saving design
- Contact protection - 100% scoop-proof LJT design prevents bent pins and short circuits during mating
- Quick positive coupling - 3 point bayonet lock system
- Mismatching eliminated - with 5 key/keyway design
- Error proof alternate positioning - insured by different key/keyway locations
- EMI shielding - grounding figures standard in LJT Series; optional in JT Series
- Nine Shell sizes and a variety of shell styles
- Fully intermateable and intermountable with MIL-C-38999 Series I and II, as applicable, crimp type connectors

The JT/LJT solder type connectors use a rigid, hard dielectric insert which is molded around the pin and socket contacts. This permits pressurization of 1 atmosphere across an interface with a leak rate up to 1×10^{-3} cc/sec. See page 7 for classes. Contact positional tolerances are also considerably reduced with less chance of pin bending. Standard solder tools are all that is required to terminate these connectors. Continuous operating temperature is rated at 175°C (302°F).



This publication provides dimensional data and how to order information on the shell styles available in solder type JT/LJT connectors. For insert availability of these solder contact connectors refer to Amphenol catalog 12-090, JT/LJT Subminiature Cylindrical Connectors. A complete line of accessories is also available.

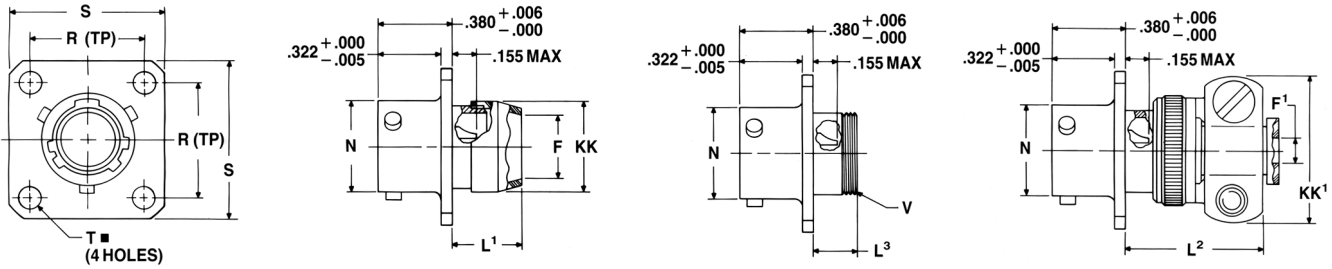
For additional information on JT/LJT solder type connectors or for any special application needs, contact your local Amphenol sales office or:

Amphenol Corporation
Amphenol Aerospace
40-60 Delaware Avenue
Sidney, New York 13838-1395
Telephone: 607-563-5011
Fax: 607-563-5157
www.amphenol-aerospace.com

Notice: Specifications are subject to change without notice. Contact your nearest Amphenol Corporation Sales Office for the latest specifications. All statements, information and data given herein are believed to be accurate and reliable but are presented without guarantee, warranty, or responsibility of any kind, expressed or implied. Statements or suggestions concerning possible use of the products are made without representation or warranty that any such use is free of patent infringement and are not recommendations to infringe any patent. The user should assume that all safety measures are indicated or that other measures may not be required. Specifications are typical and may not apply to all connectors.

AMPHENOL is a registered trademark of Amphenol Corporation

JT00 (MS27334) – solder wall mounting receptacle



*JT00P-XX-XXX (MS27334P)
*JTN00P-XX-XXX

*JT00A-XX-XXX
*JT00C-XX-XXX (MS27334T)
*JTN00A-XX-XXX
*JTN00C-XX-XXX

*JT00A-XX-XXX(SR)
*JTN00A-XX-XXX(SR)
*JTN00C-XX-XXX(SR)

■ $\text{⊕} \text{ } .005 \text{ DIA } \text{Ⓜ}$

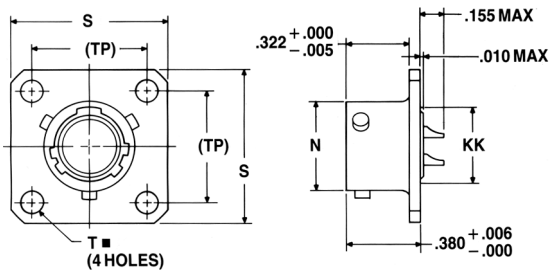
* To complete order number see page 7.

NOTE: For availability of back panel mounting types, consult Amphenol, Sidney, NY.

Shell Size	F Dia. Min.	F ¹ +.010 - .025	L ¹ Max.	L ² Max.	L ³ Max.	N +.001 - .005	R (TP)	S ±.016	T ±.005	V Thread Modified		KK Dia. Max.	KK ¹ Max.
										Size Class 2A	Modified Major Dia.		
8	.312	.125	.422	.734	.234	.473	.594	.812	.120	.4375-28UNEF	.421 - .417	.500	.812
10	.429	.188	.422	.734	.234	.590	.719	.938	.120	.5625-24UNEF	.542 - .538	.625	.875
12	.543	.312	.422	.734	.234	.750	.812	1.031	.120	.6875-24UNEF	.667 - .663	.750	1.000
14	.668	.375	.422	.797	.234	.875	.906	1.125	.120	.8125-20UNEF	.791 - .787	.875	1.125
16	.793	.500	.422	.797	.234	1.000	.969	1.219	.120	.9375-20UNEF	.916 - .912	1.000	1.188
18	.894	.625	.422	.797	.234	1.125	1.062	1.312	.120	1.0625-18UNEF	1.034 - 1.030	1.109	1.438
20	1.019	.625	.422	.859	.234	1.250	1.156	1.438	.120	1.1875-18UNEF	1.158 - 1.154	1.234	1.438
22	1.144	.750	.422	.859	.234	1.375	1.250	1.562	.120	1.3125-18UNEF	1.283 - 1.279	1.359	1.625
24	1.269	.800	.422	.922	.313	1.500	1.375	1.688	.147	1.4375-18UNEF	1.408 - 1.404	1.484	1.719

All dimensions for reference only.

JT02 (MS27335) – solder box mounting receptacle



*JT02P-XX-XXX
*JT02A-XX-XXX
*JT02C-XX-XXX (MS27335T)
*JTN02P-XX-XXX
*JTN02A-XX-XXX
*JTN02C-XX-XXX

■ $\text{⊕} \text{ } .005 \text{ DIA } \text{Ⓜ}$

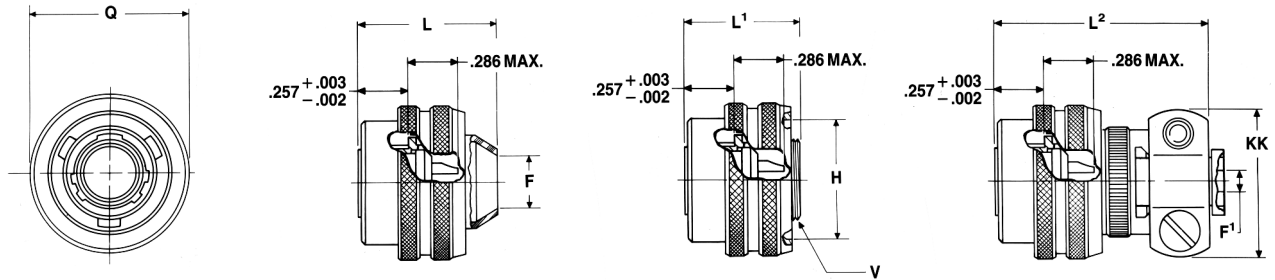
* To complete order number see page 7.

NOTE: For availability of back panel mounting types, consult Amphenol, Sidney, NY.

Shell Size	N +.001 - .005	R (TP)	S ±.016	T ±.005	KK Max.
8	.473	.594	.812	.120	.391
10	.590	.719	.938	.120	.508
12	.750	.812	1.031	.120	.622
14	.875	.906	1.125	.120	.749
16	1.000	.969	1.219	.120	.872
18	1.125	1.062	1.312	.120	.976
20	1.250	1.156	1.438	.120	1.101
22	1.375	1.250	1.562	.120	1.226
24	1.500	1.375	1.688	.147	1.351

All dimensions for reference only.

JT06 (MS27336) – solder straight plug



*JT06P-XX-XXX (MS27336P)
*JTN06P-XX-XXX

*JT06A-XX-XXX (MS27336T)
*JTN06A-XX-XXX

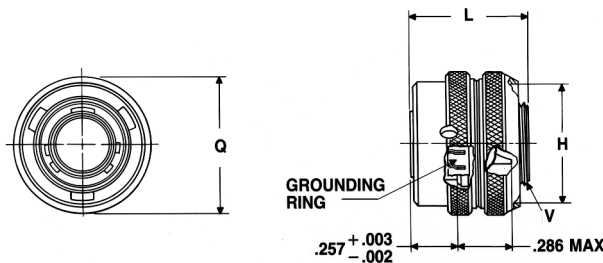
*JT06A-XX-XXX(SR)
*JTN06A-XX-XXX(SR)

* To complete order number see page 7.

Shell Size	F Min.	F ¹ +.010 -.025	H +.010 -.001	L Max.	L ¹ Max.	L ² Max.	Q Max.	V Thread Modified		KK Max.
								Size Class 2A	Modified Major Dia.	
8	.312	.125	.635	.812	.625	1.109	.734	.4375-28UNEF	.421 - .417	.812
10	.429	.188	.734	.812	.625	1.109	.844	.5625-24UNEF	.542 - .538	.875
12	.543	.312	.870	.812	.625	1.109	1.016	.6875-24UNEF	.667 - .663	1.000
14	.668	.375	.996	.812	.625	1.172	1.141	.8125-20UNEF	.791 - .787	1.125
16	.793	.500	1.122	.828	.625	1.172	1.265	.9375-20UNEF	.916 - .912	1.188
18	.894	.625	1.246	.828	.625	1.172	1.391	1.0625-18UNEF	1.034 - 1.030	1.438
20	1.019	.625	1.372	.828	.625	1.234	1.500	1.1875-18UNEF	1.158 - 1.154	1.438
22	1.144	.750	1.496	.828	.625	1.234	1.625	1.3125-18UNEF	1.283 - 1.279	1.625
24	1.269	.800	1.622	.906	.688	1.297	1.750	1.4375-18UNEF	1.408 - 1.404	1.719

All dimensions for reference only.

JTG06A – solder straight plug (with grounding ring)



*JTG06A-XX-XXX
**JTNG06A-XX-XXX

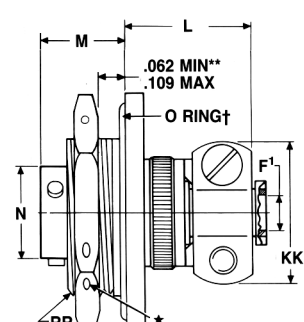
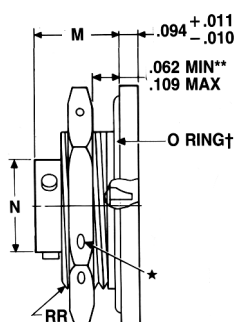
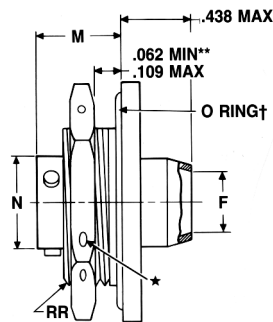
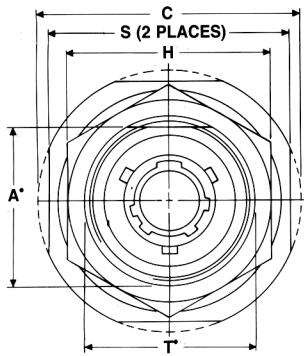
* To complete order number see page 7.

** Coupling nut is clear iridite finish (gold color), shell and grounding fingers are gold plated N₂O₄ resistant.

Shell Size	H Dia. +.010 -.001	L Max.	Q Dia. Max.	V Thread Modified	
				Size Class 2A	Modified Major Dia.
8	.635	.625	.734	.4375-28UNEF	.421 - .417
10	.734	.625	.844	.5625-24UNEF	.542 - .538
12	.870	.625	1.016	.6875-24UNEF	.667 - .663
14	.996	.625	1.141	.8125-20UNEF	.791 - .787
16	1.122	.625	1.265	.9375-20UNEF	.916 - .912
18	1.246	.625	1.391	1.0625-18UNEF	1.034 - 1.030
20	1.372	.625	1.500	1.1875-18UNEF	1.158 - 1.154
22	1.496	.625	1.625	1.3125-18UNEF	1.283 - 1.279
24	1.622	.688	1.750	1.4375-18UNEF	1.408 - 1.404

All dimensions for reference only.

JT07 (MS27337) – solder jam mounting receptacle



- H .059 dia. min. 3 lockwire holes
 • “D” shaped mounting hole dimensions.
 * To complete order number see page 7.
 ** Panel thickness
 † O Ring not furnished with MS27337

*JT07P-XX-XXX (MS27337P)
 *JTN07P-XX-XXX

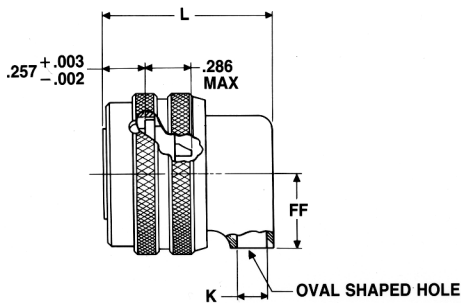
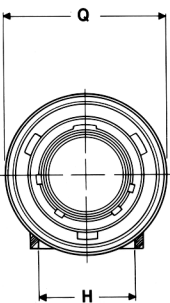
*JT07A-XX-XXX
 *JT07C-XX-XXX
 *JTN07A-XX-XXX
 *JTN07C-XX-XXX

*JT07A-XX-XXX(SR)
 *JTN07A-XX-XXX(SR)
 *JTN07C-XX-XXX(SR)

Shell Size	A* +.000 -.010	C Max.	F Min.	F ¹ +.010 -.025	H +.017 -.016	L Max.	M ±.005	N +.001 -.005	S ±.016	T [•] +.010 -.000	KK Max.	RR Thread Class 2A
8	.830	1.390	.312	.125	1.062	.666	.438	.473	1.250	.884	.812	.8750-20UNEF
10	.955	1.515	.429	.188	1.188	.666	.438	.590	1.375	1.007	.875	1.0000-20UNEF
12	1.084	1.640	.543	.312	1.312	.666	.438	.750	1.500	1.134	1.000	1.1250-18UNEF
14	1.208	1.765	.668	.375	1.438	.729	.438	.875	1.625	1.259	1.125	1.2500-18UNEF
16	1.333	1.953	.793	.500	1.562	.729	.438	1.000	1.781	1.384	1.188	1.3750-18UNEF
18	1.459	2.031	.894	.625	1.688	.729	.438	1.125	1.890	1.507	1.438	1.5000-18UNEF
20	1.576	2.156	1.019	.625	1.812	.765	.464	1.250	2.016	1.634	1.438	1.6250-18UNEF
22	1.701	2.280	1.144	.750	2.000	.765	.464	1.375	2.140	1.759	1.625	1.7500-18UNS
24	1.826	2.405	1.269	.800	2.125	.828	.464	1.500	2.265	1.884	1.719	1.8750-16UN

All dimensions for reference only.

JT08 – solder 90° plug



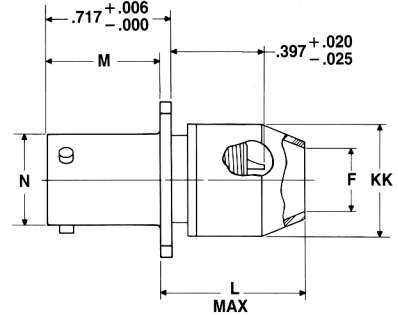
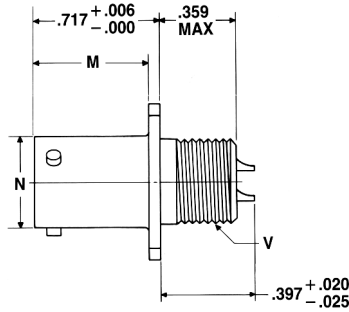
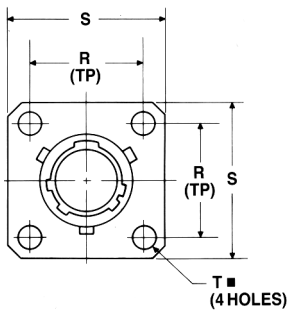
*JT08P-XX-XXX
 *JTN08P-XX-XXX

* To complete order number see page 7.

Shell Size	H Min.	K Min.	L Max.	Q Max.	FF Max.
8	.396	.126	.891	.734	.391
10	.532	.141	.906	.844	.438
12	.694	.173	.938	1.016	.516
14	.814	.266	1.031	1.141	.594
16	.985	.423	1.188	1.265	.656
18	1.006	.485	1.250	1.391	.719
20	1.130	.547	1.312	1.500	.781
22	1.255	.610	1.375	1.625	.844
24	1.380	.673	1.516	1.750	.906

All dimensions for reference only.

LJT00 (MS20026) – solder wall mounting receptacle



■ $\text{⊕} \text{ } .005 \text{ DIA } \text{Ⓜ}$

*LJT00T-XX-XXX (MS20026T)

*LJT00P-XX-XXX

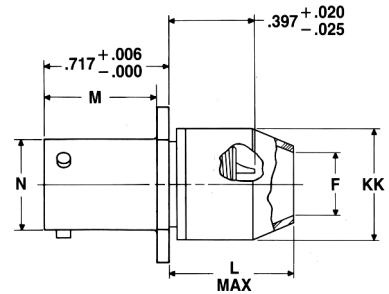
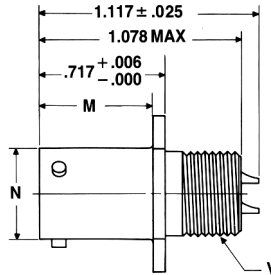
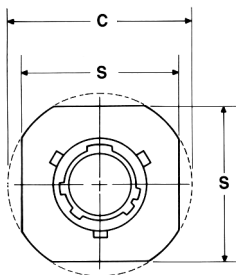
* To complete order number see page 7.

NOTE: For availability of back panel mounting types, check with nearest sales office or call Amphenol, Sidney, NY.

Shell Size	F Dia.	L Max.	M +.000 / -.005	N +.001 / -.005	R (TP)	S ±.016	T Dia. ±.005	V Thread Class 2A UNEF (Plated)	KK Dia. Max.
9	.327	.625	.632	.572	.719	.938	.128	.4375-28	.608
11	.444	.625	.632	.700	.812	1.031	.128	.5625-24	.734
13	.558	.625	.632	.850	.906	1.125	.128	.6875-24	.858
15	.683	.625	.632	.975	.969	1.219	.128	.8125-20	.984
17	.808	.625	.632	1.100	1.062	1.312	.128	.9375-20	1.110
19	.909	.625	.632	1.207	1.156	1.438	.128	1.0625-18	1.234
21	1.034	.703	.602	1.332	1.250	1.562	.128	1.1875-18	1.360
23	1.159	.703	.602	1.457	1.375	1.688	.147	1.3125-18	1.484
25	1.284	.703	.602	1.582	1.500	1.812	.147	1.4375-18	1.610

All dimensions for reference only.

LJT01 (MS20027) – solder line receptacle



* To complete order number see page 7.

*LJT01T-XX-XXX (MS20027T)

*LJT01P-XX-XXX

Shell Size	C Max.	F Dia.	L Max.	M +.000 / -.005	N +.001 / -.005	S ±.016	V Thread Class 2A UNEF (Plated)	KK Dia. Max.
9	1.094	.327	.625	.632	.572	.938	.4375-28	.608
11	1.188	.444	.625	.632	.700	1.031	.5625-24	.734
13	1.281	.558	.625	.632	.850	1.125	.6875-24	.858
15	1.375	.683	.625	.632	.975	1.219	.8125-20	.984
17	1.469	.808	.625	.632	1.100	1.312	.9375-20	1.110
19	1.594	.909	.625	.632	1.207	1.438	1.0625-18	1.234
21	1.719	1.034	.703	.602	1.332	1.562	1.1875-18	1.360
23	1.844	1.159	.703	.602	1.457	1.688	1.3125-18	1.484
25	1.969	1.284	.703	.602	1.582	1.812	1.4375-18	1.610

All dimensions for reference only.

LJT06 (MS20028) – solder straight plug

* To complete order number see page 7..

*LJT06T-XX-XXX (MS20028T) *LJT06P-XX-XXX

Shell Size	F Dia.	L Max.	L ¹ Max.	Q Max.	V Thread Class 2A UNEF (Plated)	KK Dia. Max.
9	.327	1.128	1.488	.844	.4375-28	.608
11	.444	1.128	1.488	.969	.5625-24	.734
13	.558	1.128	1.488	1.141	.6875-24	.858
15	.683	1.128	1.488	1.266	.8125-20	.984
17	.808	1.128	1.488	1.391	.9375-20	1.110
19	.909	1.128	1.488	1.500	1.0625-18	1.234
21	1.034	1.128	1.566	1.625	1.1875-18	1.360
23	1.159	1.128	1.566	1.750	1.3125-18	1.484
25	1.284	1.191	1.644	1.875	1.4375-18	1.610

All dimensions for reference only.

LJT07 (MS20029) – solder jam nut receptacle

• "D" shaped mounting hole dimensions
* To complete order number see page 7.

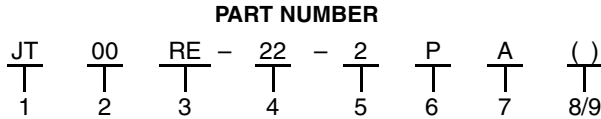
*LJT07T-XX-XXX (MS20029T) *LJT07P-XX-XXX (MS20029P)

Shell Size	A* +.000 -.010	C Max.	F Dia.	H Hex +.017 -.016	L Max.	L ¹ Max.	N +.001 -.005	S ±.016	T* +.010 -.000	KK +.011 -.000	KK ¹ Dia. Max.	RR Thread Class 2A (Plated)
9	.669	1.199	.327	.875	.234	.625	.572	1.062	.697	.516	.608	.6875-24UNEF
11	.769	1.386	.444	1.000	.234	.625	.700	1.250	.822	.642	.734	.8125-20UNEF
13	.955	1.511	.558	1.188	.234	.625	.850	1.375	1.007	.766	.858	1.0000-20UNEF
15	1.084	1.636	.683	1.312	.234	.625	.975	1.500	1.134	.892	.984	1.1250-18UNEF
17	1.208	1.761	.808	1.438	.234	.625	1.100	1.625	1.259	1.018	1.110	1.2500-18UNEF
19	1.333	1.949	.909	1.562	.266	.625	1.207	1.812	1.384	1.142	1.234	1.3750-18UNEF
21	1.459	2.073	1.034	1.688	.266	.656	1.332	1.938	1.507	1.268	1.360	1.5000-18UNEF
23	1.580	2.199	1.159	1.812	.266	.750	1.457	2.062	1.634	1.392	1.484	1.6250-18UNEF
25	1.709	2.323	1.284	2.000	.266	.750	1.582	2.188	1.759	1.518	1.610	1.7500-18UNS

All dimensions for reference only.

How to Order – Subminiature JT/LJT MIL-C-27599 solder contact connectors

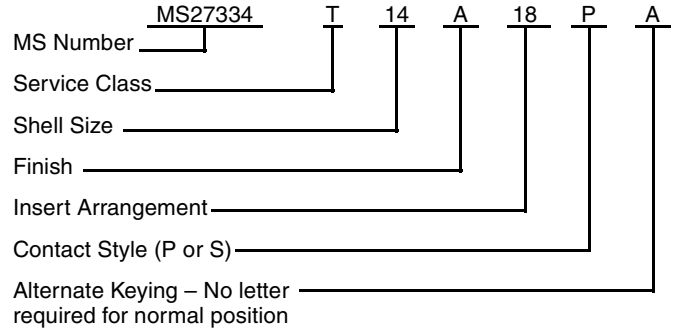
To illustrate ordering procedure for solder type subminiature connectors, part number JT00RE-22-2PA() is shown as follows:



See code below:

1. Connector Type:
 - JT designates standard Junior Tri-Lock connector
 - LJT designates long Junior Tri-Lock connector
 - JTG designates plug with grounding fingers (Grounding fingers standard on all LJT plugs)
 - JTN designates connector with iridite finish, (gold color) N₂O₄ resistant
2. Shell Style:
 - 00 designates wall mount receptacle
 - 01 designates line mount receptacle
 - 02 designates box mount receptacle
 - 06 designates straight plug
 - 07 designates jam nut receptacle
 - 08 designates 90 degree plug
3. Service Class: Solder contacts/connectors
 - "P" for potting applications – These connectors are supplied with a potting boot (not applicable to box mounting style).
 - "A" for general duty applications
 - "A (SR)" – threaded rear design with strain relief†
 - "C" for pressurized applications
 - "C (SR)" – threaded rear design with strain relief†
 - "T" for MS27599 applications – General duty – pressurized (receptacles only)
4. Shell Size:
 - JT shell sizes available from 8 through 24. LJT shell sizes available from 9 through 25. (Amphenol catalog 12-090).
5. Insert Arrangement:
 - 22-2 designates insert arrangement. Refer to Amphenol catalog 12-090.
6. Contact Style:
 - P designates pin contacts. S designates socket contacts.
7. Alternate Keying:
 - "A" designates alternate keying connector assembly. Other basic alternate keys are "B", "C", and "D". No letter required for normal (no rotation) position. See Amphenol catalog 12-090.
8. "SR" designates a strain relief clamp. Strain reliefs are available only on "A" & "C" class connectors.
9. Finish variation suffix.

MILITARY TYPES



For MS depictions and dimensional data see Mil-Spec, MIL-C-27599

Amphenol Federal Vendor Identification/FSCM 77820

Finish	Military Finish Data	Finish Suffix	Finish plus "SR" Suffix
Cadmium plated nickel base	A		(SR)
Olive drab cadmium plate nickel base	B	(014)	(386)
Electroless nickel		(023)	(424)
Anodic coating (Alumilite)		(005)	(300)
Chromate treated (Iridite 14-2)		(011)	(344)

† Not applicable to box mounting style

**Amphenol Corporation
Amphenol Aerospace**

40-60 Delaware Avenue
Sidney, NY 13838-1395
Phone: 607-563-5011
1-800-678-0141
Fax: 607-563-5157
Web: www.amphenol-aerospace.com

Amphenol Canada

20 Melford Drive
Scarborough, ON M1B 2X6
Canada
Phone: 416-291-4401
Telex: 065 25210
Fax: 416-292-0647

SALES OFFICES

**Amphenol Corporation
Amphenol Aerospace**

22952 Alcalde Drive
Suite 110
Laguna Hills, CA 92653
Phone: 949-855-4454
1-800-678-0141
Fax: 949-855-9115

**Amphenol Corporation
Amphenol Aerospace**

57 E. Hattendorf Ave.
Suite 150
Roselle, IL 60172
Phone: 630-893-1713
1-800-678-0141
Fax: 630-893-3958

**Amphenol Corporation
Amphenol Aerospace**

7506 East Independence Blvd.
Charlotte, NC 28227
Phone: 704-531-9053
1-800-678-0141
Fax: 704-531-9054

**Amphenol Corporation
Amphenol Aerospace**

2010 Corporate Ridge
McLean, VA 22101
Phone: 1-800-678-0141

DISTRIBUTORS

Corporate Headquarters

ARROW ELECTRONICS
3254 Fraser St.
Aurora, CO 80011
Phone: 800-388-2277
Fax: 800-562-3542

AVNET EMG

11333 Pagemill Road
Dallas, TX 75243
Phone: 800-332-8638
Fax: 214-553-2168

POWELL ELECTRONICS

S. Island Rd. & Enterprise Ave.
Box 8765
Philadelphia, PA 19101
Phone: 800-235-7880
Fax: 215-937-4655

TTI INC.

2441 Northeast Parkway
Fort Worth, TX 76106
Phone: 800-225-5884
Fax: 817-740-9494

**SMALL DISADVANTAGED/
MINORITY DISTRIBUTOR**

JRH ELECTRONICS, INC.

2002 E. Lincoln Drive West
Route 73, P.O. Box. 264
Marlton, NJ 08053
Phone: 800-467-9309
Fax: 609-988-8728

X-ON Electronics

Largest Supplier of Electrical and Electronic Components

Click to view similar products for [Circular DIN Connectors](#) category:

Click to view products by [Amphenol](#) manufacturer:

Other Similar products are found below :

[CTV06RQF-25-8SA-LC](#) [CTV06RQF-25-8S-LC](#) [CTV06RQW-25-8SB-LC](#) [CTV06RW-25-20P](#) [CTV06RW-25-20PA](#) [CTV06RW-25-20PB](#)
[CTV06RW-25-20PE-LC](#) [CTV06RW-25-20SB](#) [CTV06RW-25-20SE](#) [CTV07RW-17-8S\(506\)](#) [CTVP00RW-19-32S\(506\)](#) [CTVP00RW-9-35S\(506\)](#) [M83723/71R20416](#) [M83723/71R22196](#) [M83723/71W2039N](#) [M83723/71W24196](#) [M83723/71W2419N](#) [M83723/72A1404N-LC](#)
[M83723/72R1203N](#) [M83723/72W20418](#) [M83723/72W22126](#) [M83723/72W22556](#) [M83723/72W2419N](#) [M83723/72W2461N](#)
[M83723/73R2028N](#) [M83723/73R2039N](#) [M83723/73W1412N](#) [M83723/73W2039N](#) [M83723/74R1624N](#) [M83723/74R1808N](#)
[M83723/74R2212N](#) [M83723/74W1203N](#) [M83723/74W1412N](#) [M83723/74W20416](#) [M83723/74W2041N](#) [M83723/75R10058](#)
[M83723/75W2232N](#) [M83723/76R14157](#) [M83723/76R20256](#) [M83723/76W1808N](#) [M83723/76W2016N](#) [M83723/76W2461N](#)
[M83723/77W2016N](#) [M83723/78R22327](#) [M83723/78W2212N](#) [M83723/78W22556](#) [M85049/50-5F](#) [D38999/20FF11AC](#) [D38999/20FJ20BB](#)
[D38999/20FJ20SC](#)