

Customer Information Sheet

DRAWING No.: R30-940XX00

SHEET 2 OF 2

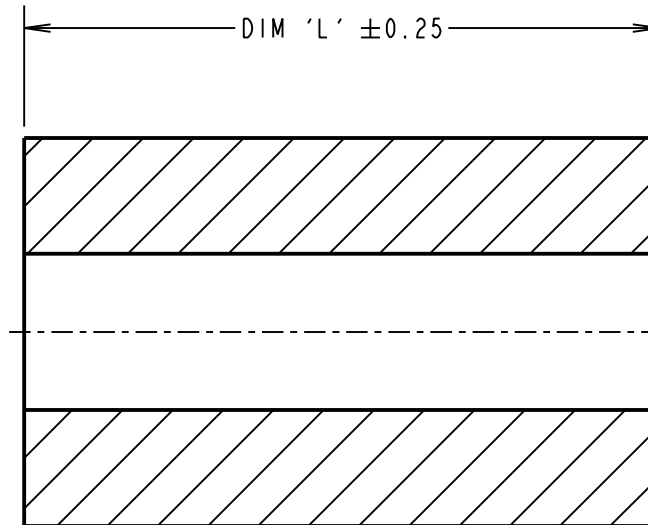
IF IN DOUBT - ASK

(C)

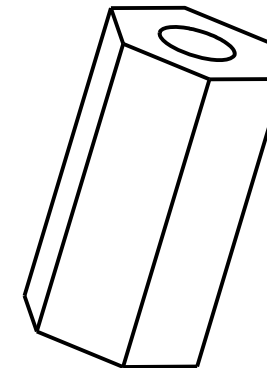
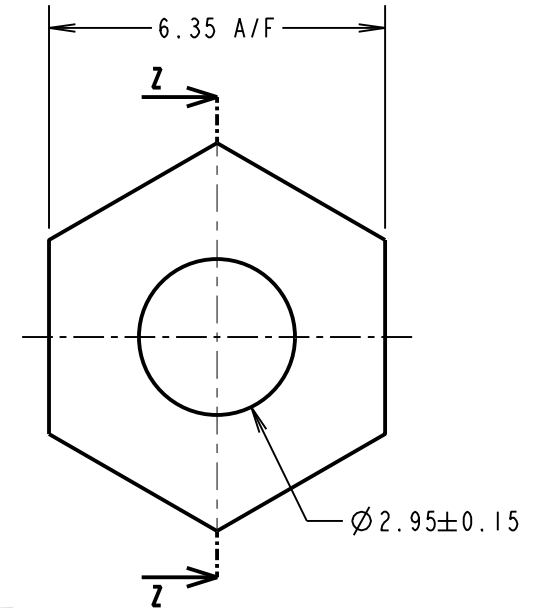
NOT TO SCALE

THIRD ANGLE PROJECTION

ALL DIMENSIONS IN mm



SECTION Z-Z



PART No.	DIM 'L'
R30-9400300	3.00
R30-9400400	4.00
R30-9400500	5.00
R30-9400600	6.00
R30-9400700	7.00
R30-9400800	8.00
R30-9400900	9.00
R30-9401000	10.00
R30-9401100	11.00
R30-9401200	12.00
R30-9401300	13.00
R30-9401400	14.00
R30-9401500	15.00
R30-9401600	16.00
R30-9401800	18.00
R30-9402000	20.00
R30-9402500	25.00

NOTES:

1. SPACER SUITED TO 3mm (No. 4) SELF-TAPPING SCREW.

MSP	8	10.10.16	20096
NAME	ISS.	DATE	C/NOTE
APPROVED:		M.PERREN	
CHECKED:		S.BENNETT	
DRAWN:		D.BECK	
CUSTOMER REF.:			
ASSEMBLY DRG:			

HARWIN

www.harwin.com
technical@harwin.com

THIS DRAWING AND ANY INFORMATION OR DESCRIPTIVE MATTER SET OUT HEREON ARE CONFIDENTIAL AND COPYRIGHT PROPERTY OF THE HARWIN GROUP AND MUST NOT BE DISCLOSED, LOANED, COPIED OR USED FOR MANUFACTURING, TENDERING OR FOR ANY OTHER PURPOSE WITHOUT THEIR WRITTEN PERMISSION.

TOLERANCES
 X. = ±1mm
 X.X = ±0.50mm
 X.XX = ±0.10mm
 X.XXX = ±0.01mm
 ANGLES = ±5°
 UNLESS STATED

MATERIAL:
 30% GLASS-FILLED PBT
 BLACK, UL94V-0

FINISH: CLEAN

S/AREA: mm²

TITLE:
 HEXAGONAL SPACER - 3mm
 SELF-TAPPING

DRAWING NUMBER:
R30-940XX00

SHT
 2 OF 2

X-ON Electronics

Largest Supplier of Electrical and Electronic Components

Click to view similar products for [Standoffs & Spacers](#) category:

Click to view products by [Harwin](#) manufacturer:

Other Similar products are found below :

[M0513-3-N](#) [M0516-3-N](#) [M0517-3-N](#) [M0518-3-N](#) [M0521-3-N](#) [M0524-3-N](#) [M0532-35-AL](#) [M0532-35-N](#) [M0543-4-AL](#) [M0544-35-N](#) [M0544-3-N](#) [M0545-3-AL](#) [M0553-3-N](#) [M0564-4-N](#) [M0608-5-SS](#) [M0609-5-SS](#) [M0610-35-AL](#) [M0613-3-N](#) [M0651-5-SS](#) [M0653-35-N](#) [M0654-4-SS](#) [M0655-5-AL](#) [M0655-5-N](#) [M0660-4-AL](#) [M0660-4-N](#) [M0670-35-N](#) [M0671-5-N](#) [M0671-5-SS](#) [M0722-5-N](#) [M0725-6-N](#) [M0731-4-N](#) [M0904-B-25-AL](#) [M1273-2545-AL](#) [M1273-3005-AL](#) [M1303-3506-AL](#) [M1307-3506-AL](#) [M1313-3005-N](#) [M1313-4007-AL](#) [M1314-3005-AL](#) [M1314-3005-SS](#) [M1315-3005-SS](#) [M1315-4007-N](#) [M1317-3506-AL](#) [M1317-4007-SS](#) [M1318-3005-SS](#) [M1320-3005-AL](#) [M1320-3005-N](#) [M1321-3005-SS](#) [M1321-4007-AL](#) [M1322-4007-N](#)