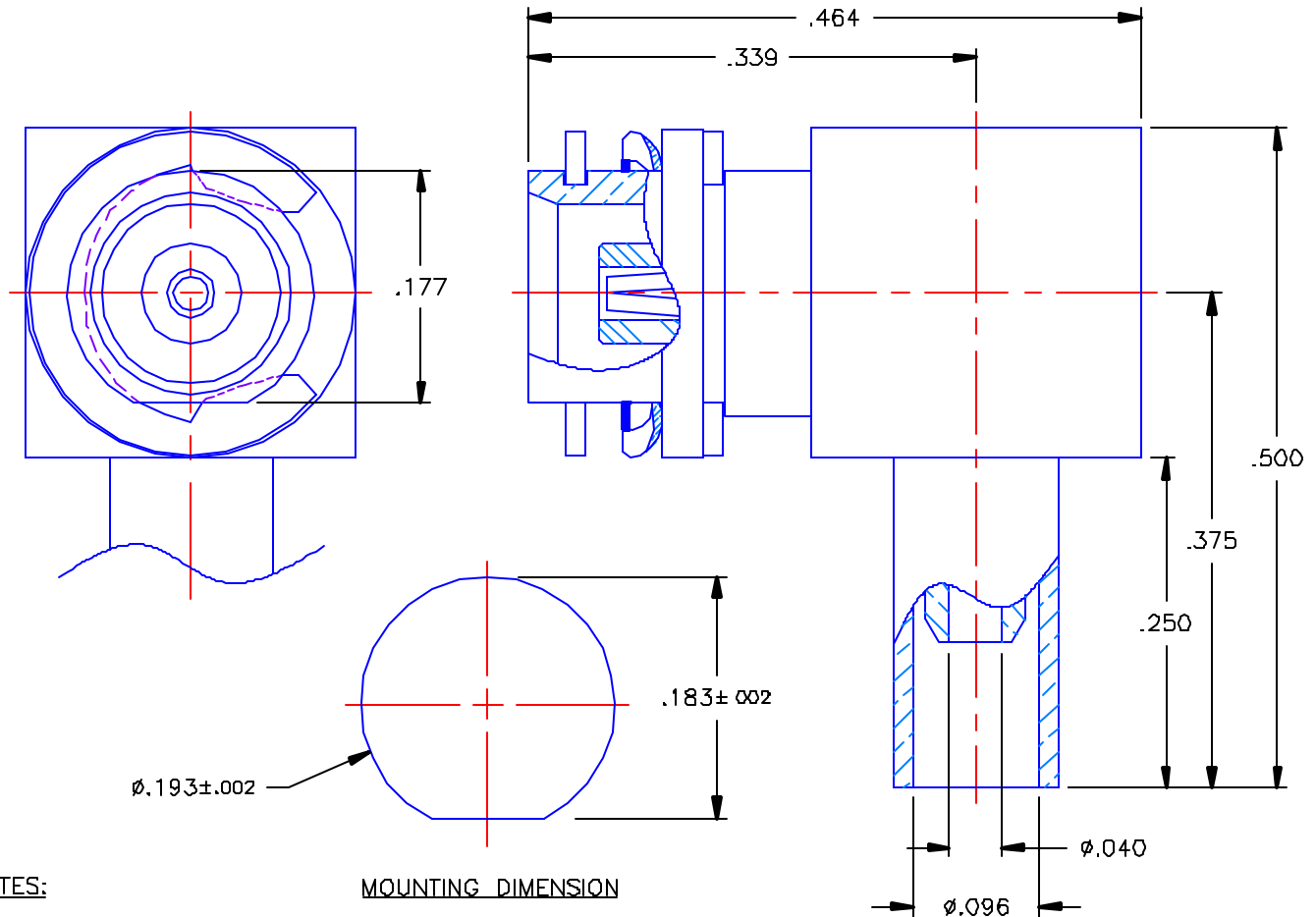


PROPRIETARY INFORMATION
 NOT TO BE RELEASED
 WITHOUT WRITTEN PERMISSION
 FROM AN AUTHORIZED
 REPRESENTATIVE OF
 APPLIED ENGINEERING PRODUCTS

REVISIONS			
REV	DESCRIPTION	DATE	APPROVED
-	INITIAL RELEASE	08/16/02	D.N.
A	ECO #5173	11/10/03	A.D.M.




NOTES:

MATERIAL:

1. SPRING WASHER = STAINLESS STEEL PER ASTM A582, ALLOY 303, CONDITION "A".
2. CONTACT = BERYLLIUM COPPER PER ASTM B196, ALLOY C17300, TEMPER TD04.
3. INSULATOR & INSULATOR CAP = VIRGIN WHITE TEFLON PER ASTM D1710, GRADE 1, TYPE I, CLASS "B".
4. ALL OTHER METAL PARTS = BRASS PER ASTM B16, ALLOY C36000, TEMPER H02.

FINISHES:

1. BODIES = GOLD PLATE PER MIL-G-45204, TYPE II, CLASS 0, GRADE C, OVER .000050 TO .00010 STRESS FREE NICKEL PER QQ-N-290.
2. CONTACT = GOLD PLATE PER MIL-G-45204, TYPE II, CLASS 1, GRADE C, OVER .00010 TO .00020 STRESS FREE SULFAMATE NICKEL PER QQ-N-290.
3. CRIMP SLEEVE & CAP = GOLD PLATE PER MIL-G-45204, TYPE II, CLASS 0, GRADE C, OVER .00010 TO .00020 COPPER STRIKE PER MIL-C-14550.
4. ALL OTHER METAL PARTS = GOLD PLATE PER MIL-G-45204, TYPE II, GRADE C, .00001 MIN. OVER STRESS FREE NICKEL PER QQ-N-290, .00002 TO .00004 THICK OVER A MIN. COPPER STRIKE PER MIL-C-14550.

UNLESS OTHERWISE SPECIFIED DIMENSIONS ARE IN INCHES TOLERANCES ON		DWN: DATE D.N. 08/16/02	 APPLIED ENGINEERING PRODUCTS 104 John W Murphy Dr. New Haven, CT 06513			
		CHKD: DATE G.A.T. 08/16/02				
DECIMAL	ANGLE	APVD: DATE D.J.C. 08/16/02	MCX RIGHT ANGLE FEMALE CRIMP TYPE FOR RG-178 CABLE			
REFERENCE: 1154-1 ORIGINATOR: D.N. DATE: 08/16/02		MATERIALS & FINISHES: SEE NOTES	SIZE A	FSCM NO. 19505	DWG NO. 8956-1521-002	REV A
			SCALE 7:1	SHEET 1 OF 1		

8956-1521-002

X-ON Electronics

Largest Supplier of Electrical and Electronic Components

Click to view similar products for [radiall](#) manufacturer:

Other Similar products are found below :

[F760858219](#) [R296701967](#) [8959-1511-004](#) [5919-1503-000](#) [5938-1503-000](#) [7101-1541-010](#) [7105-1561-010](#) [MD11-035](#) [81-6201-0450](#) [9074-9513-000](#) [9620-9003-151](#) [R113425097](#) [R114305000W](#) [R124075210](#) [R124175120](#) [R125055000](#) [R125512000W](#) [R141154000W](#) [R141572000](#) [R143012000](#) [R143235161W](#) [R166268000](#) [R176019000](#) [R191841001W](#) [R282102000](#) [R282744220](#) [R282918120](#) [R404770000](#) [R414430150](#) [R414520150](#) [R433514700](#) [R570022105](#) [R570123005](#) [R570363010](#) [R570442000](#) [R570E52010](#) [R574402410](#) [R577443000](#) [R585423230](#) [R114425000](#) [R124510000](#) [R125052500](#) [R125320020W](#) [R127.870.001](#) [R141331500W](#) [R162017000W](#) [R176404000](#) [R191970091](#) [R213665000](#) [R282120010](#)