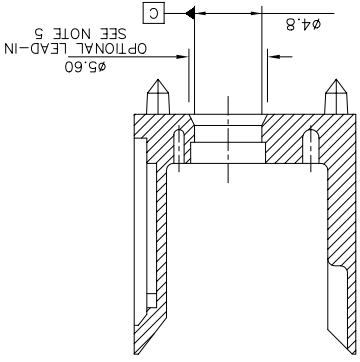
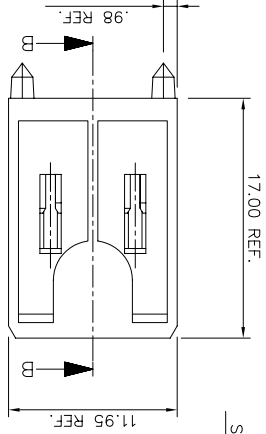
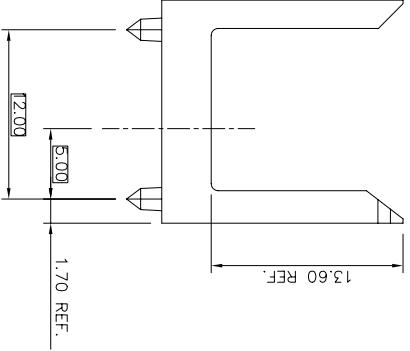
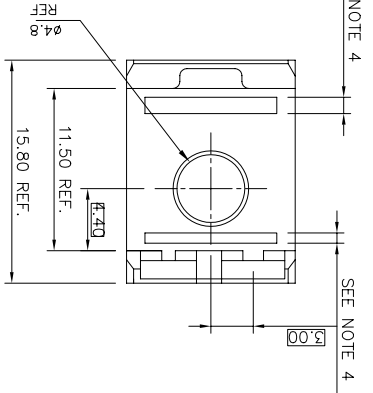
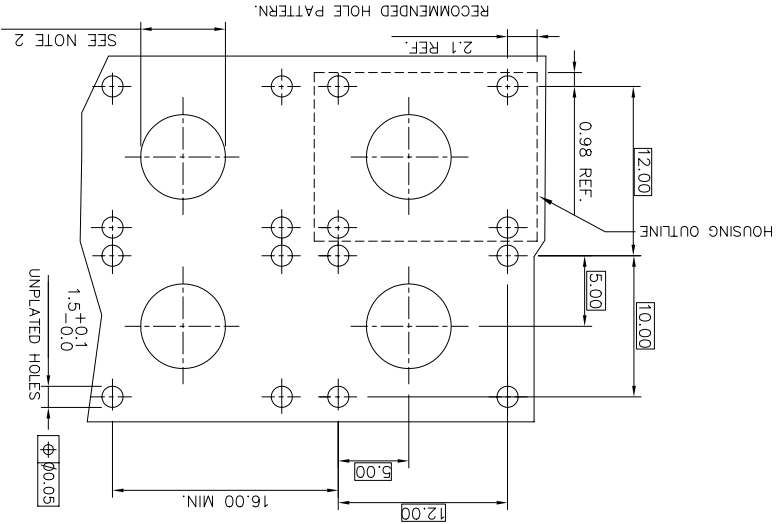


PRODUCT NUMBER	NOTES
88911-101	NOTE 6
88911-201	NOTE 3 & 6
88911-301	NOTE 5 & 6



SECTION B-B

7. THIS PRODUCT MEETS EUROPEAN UNION DIRECTIVES AND OTHER COUNTRY REGULATION AS DESCRIBED IN GS-22-008.
8. THE HOUSING WILL WITHSTAND EXPOSURE TO 260°C PEAK TEMPERATURE FOR 15 SECONDS IN A WAVE SOLDER APPLICATION WITH A 1.5mm MINIMUM THICK CIRCUIT BOARD OR FOR 10-20 SECONDS IN A CONNECTION, INFRA-RED OR VAPOR PHASE FLOW OVEN. SEE APPLICATION NOTES/PROCEDURES IF THEY ARE AVAILABLE



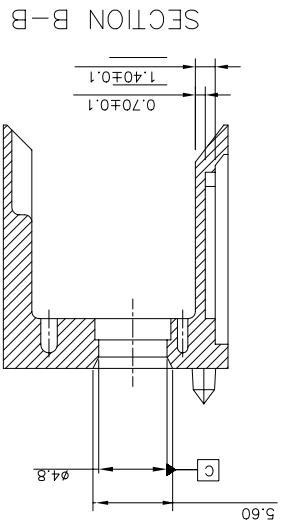
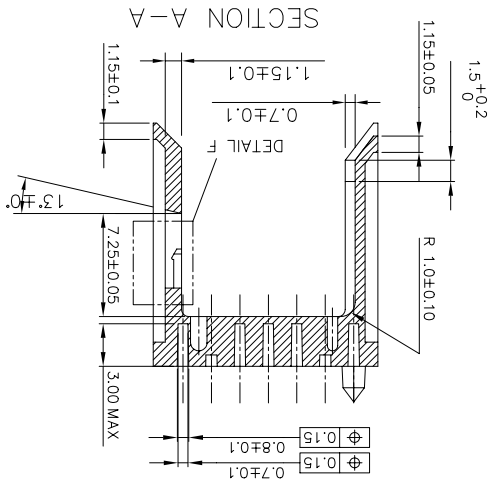
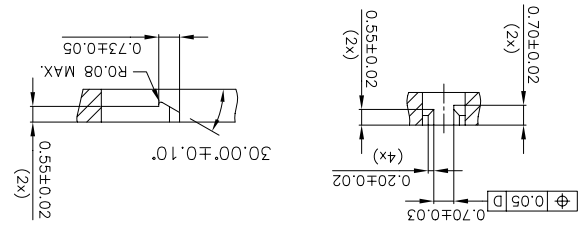
- NOTES:
- ① MATERIAL-LIQUID CRYSTAL POLYMER 30% GLASS COLOR NATURAL
  - ② WHEN USED WITH GUIDE PIN, HOLE DIAMETER TO BE 3.25±0.10 AND UNPLATED.
  - ③ WHEN USED WITH STR. SCREW-TO-BOARD HIGH POWER INSERT, HOLE DIAMETER TO BE 3.25±0.10 AND UNPLATED.
  - ④ WHEN USED WITH A PLUG/PLUG HIGH POWER COUPLER OR A RECEPTACLE/RECEPTACLE COAX COUPLER, HOLE DIAMETER TO BE 6.00±0.10/-0.00 AND UNPLATED.
  - ⑤ TO BE USED WITH PRESS-FIT COAX SOCKETS.
  - ⑥ CORING OPTIONAL AT DISCRETION OF MANUFACTURER.
  - ⑦ P/N 88911-301 HAS 5.60 DIAMETER LEAD-IN CHAMFER. ALL OTHER DIMENSIONS ARE THE SAME.
  - ⑧ ADD "LF" SUFFIX AT THE END OF PART NUMBER FOR LEAD FREE OPTION.

mat'l. code	surface	ISO 1302	ISO 406	ISO 1101	tolerance	projection	product family
SEE NOTE 1	ISO 1302	ISO 406	ISO 1101	tolerances unless otherwise specified	xxx ±0.1/3	mm	HYBRID HEADER
itr	ecn no	dr	date	tolerances unless otherwise specified	xxx ±0.05/13	mm	product family
E	V70809	MDF	5/14/97	ingles	xxx ±0.02/050	mm	product family
F	V80738	MDF	4/16/98	ingles	xxx ±0.02/050	mm	product family
G	V01977	JRM	8/11/00	of 2	xxx ±0.02/050	mm	product family
J	V03-1116	LP	10/13/03	engr	xxx ±0.02/050	mm	product family
K	M05-0224	MHT	10/25/05	chr	xxx ±0.02/050	mm	product family
L	M06-0266	MNR	7/27/06	pppd	xxx ±0.02/050	mm	product family
sheet revision	L	L					
sheet	1	2					

title	scale	type	product
HYBRID HEADER	1:1	Customer Drawing	Customer Drawing
dwg no	88911	sheet 1 of 2 size	A3

PRODUCT NO  
88911-301

DETAIL F  
SCALE 2:1



mat'l. code	ISO 1302	surface	tolerance	ISO 406	ISO 1101	projection	product family	HYBRID HEADER	product family	METRAL (tm)
itr	ecn no	dr	date	tolerances unless otherwise specified	xx $\pm 0.1/3$	angles	indeg	xxx $\pm 0.05/13$	o'±2	xxxx $\pm 0.020/050$
L							MM	scale 1:1		
dwg no	88911	sheet 2 of 2 size	A3	FCI						
type	Product Customer Drawing									
sheet	revision	index	sheet							

dr	STU STONER	3/24/92								
engr	R. DOURICH	3/24/92								
chr	STU STONER	3/24/92								
pppd	STU STONER	3/24/92								

## X-ON Electronics

Largest Supplier of Electrical and Electronic Components

*Click to view similar products for [High Speed/Modular Connectors](#) category:*

*Click to view products by [FCT Electronics](#) manufacturer:*

Other Similar products are found below :

[2332816-1](#) [89006-1137LF](#) [650827-1](#) [65762-001LF](#) [73474-201LF](#) [74040-1346](#) [74075-0267](#) [88911-201LF](#) [9514M0C20D](#) [1410191-1](#)  
[1410337-1](#) [1410368-3](#) [1410964-2](#) [1410326-3](#) [1410367-3](#) [1410971-4](#) [1467833-1](#) [2000877-1](#) [2000878-1](#) [2041314-1](#) [2065387-1](#) [2187307-1](#)  
[2187462-1](#) [2226278-6](#) [KA81-07](#) [91290-101LF](#) [1934290-1](#) [2000875-1](#) [2065917-1](#) [2102736-2](#) [FSR-40](#) [2169868-2](#) [2226279-2](#) [22354-8](#) [437-](#)  
[5040-000](#) [5-1393565-0](#) [532449-3](#) [532803-2](#) [34745-0001](#) [0740618502](#) [0760151403](#) [0760551105](#) [0760551608](#) [0761451128](#) [0761651124](#)  
[0761655108](#) [0761659807](#) [0769853208](#) [0736440217](#) [0758324203](#)