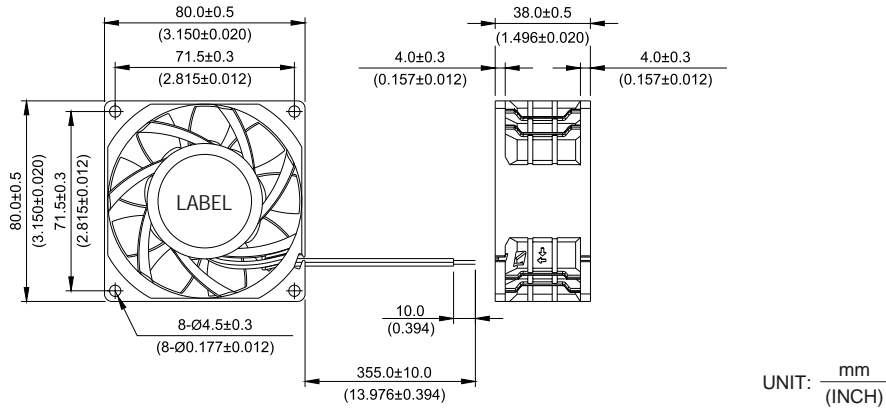


New



# PFB 80 x 80 x 38 MM SERIES

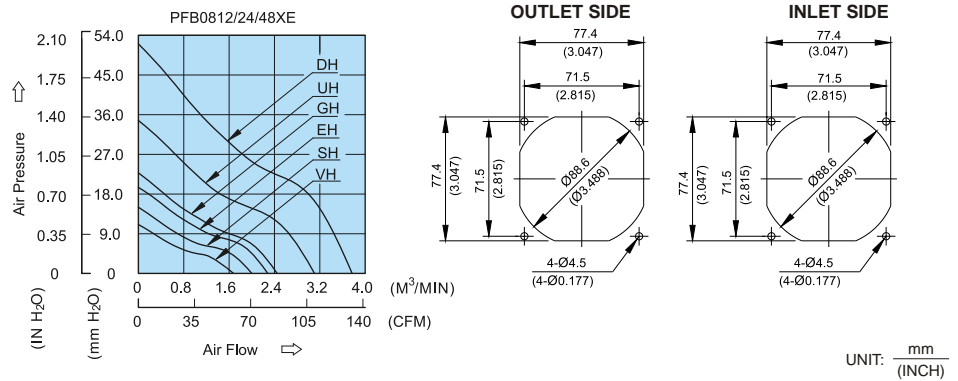
## DIMENSIONS DRAWING



- \* Bearing Type  
Ball Bearings
- \* Material  
Impeller & Frame: Plastic (UL94V-0)
- \* Lead Wires :  
UL 1007 AWG #24 OR Equivalent  
Red Wire Positive (+)  
Black Wire Negative (-)
- \* Weight : 205g (7.23 oz)

## P & Q CURVE (AT RATED VOLTAGE)

## MOUNTING PANEL CUTOUT



MODEL		Rated Voltage	Operating Voltage Range	Rated Current	Rated Input Power	Speed	Maximum Air Flow		Maximum Air Pressure		Noise
PART NO.	FUNCTION	VDC	VDC	Amp	Watt	R.P.M.	m <sup>3</sup> /min	CFM	mmH <sub>2</sub> O	IN H <sub>2</sub> O	dB-A
PFB0812VHE	- R00 / - F00	12	7.0 to 13.2	0.39	4.68	4200	1.649	58.23	10.70	0.421	45.1
PFB0812SHE	- R00 / - F00	12	7.0 to 13.2	0.51	6.12	4900	1.967	69.49	14.53	0.571	49.3
PFB0812EHE	- R00 / - F00	12	7.0 to 13.2	0.72	8.64	5600	2.243	79.23	19.50	0.767	53.0
PFB0824EHE	- R00 / - F00	24	14.0 to 26.4	0.36	8.64						
PFB0848EHE	- R00 / - F00	48	28.0 to 56.0	0.23	11.04	6100	2.448	86.44	22.80	0.898	55.5
PFB0812GHE	- R00 / - F00	12	7.0 to 13.2	0.85	10.20						
PFB0824GHE	- R00 / - F00	24	14.0 to 26.4	0.45	10.80						
PFB0848GHE	- R00 / - F00	48	28.0 to 56.0	0.27	12.96	7500	3.038	107.30	34.75	1.368	61.0
PFB0812UHE	- R00 / - F00	12	7.0 to 13.2	1.55	18.60						
PFB0824UHE	- R00 / - F00	24	14.0 to 26.4	0.77	18.48	9000	3.754	132.56	51.57	2.030	65.0
PFB0848UHE	- R00 / - F00	48	28.0 to 56.0	0.42	20.16						
PFB0812DHE	- R00 / - F00	12	7.0 to 13.2	2.75	33.00						
PFB0824DHE	- R00 / - F00	24	14.0 to 26.4	1.35	32.40						

\* Function type is optional.  
 \* The max. air flow and the speed are measured in free air ; max. air pressure is measured at zero air flow.  
 \* Noise is measured in anechoic chamber in free air, one meter from intake side.  
 \* All readings are typical values at rated voltage.  
 \* Specifications are subject to change without notice.