

## NEW: WD 1000HPT

### The New Generation of High Power Tools



# Weller® Info No. 15

The WD 1000HPT station features Weller®'s new **120 W High Power Tool**, our new **WP 120** soldering iron. This iron is ideal for soldering on challenging circuit boards with heat sinks and big soldering joints that cause large dissipation in heat transfer. The Weller® WD 1000HPT station is specifically designed for your soldering operations which need a combination of high energy and maximum precision.



#### The WD 1000HPT comprises -

##### The WP 120 Soldering Iron

The new WP 120 High Power Tool offers **twice as much power** and efficiency in a **small and ergonomic pencil design**. Combining a compact, powerful heating element with a **replaceable soldering tip** the WP 120 guarantees **best life cycle cost** at dynamic performance. The rapid transfer of heat into the soldering tip is quickly and **precisely controlled** with sophisticated electronics which allows the WP 120's compact design to cope with big and difficult solder joints even at barely accessible joints. **Also ideal for HF shield plates or solar panel manufacturing.**



##### The WD 1M Power Unit

Our well established microprocessor controlled WD 1M has a number of in built special functions as preset temperatures, individual settings for setback, USB connectivity, which make it ideally suited for use in production, rework and laboratory environments. From now on we equip all WD 1Ms' additionally with new advanced software specially designed for this new WP 120 High Power Tool.



##### The WDH 10T Stop + Go Iron Safety Rest

Special tip life saving functions are automatically activated when you place the soldering iron into the WDH 10T safety rest. This is an easy and effective way for you to increase tip life particularly when using lead free solder. By removing the iron from the rest the tip temperature is restored immediately to the set working level.

**Technical Data WD 1000HPT**

Dimensions (L x W x H mm): 134 x 108 x 147  
 Mains voltage supply: 230 V / 120 V / 50/60 Hz  
 Power: 160W  
 Safety class: I (power unit), III (soldering iron)  
 Temperature control: 50°C – 450°C (150°F – 850°F)  
 Temperature accuracy: ± 9°C (± 17°F)  
 Temperature stability: ± 5°C (± 9°F)  
 Soldering tip leakage resistance: < 2 Ω (tip-to-ground)  
 Soldering tip leakage current: < 2 mV (tip-to-ground)

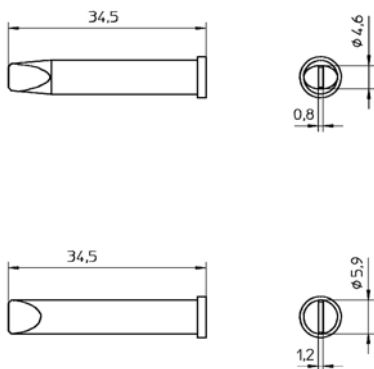
**Scope of delivery soldering kit WD 1000HPT**



Power unit WD 1M  
 Soldering iron WP 120  
 Safety rest WDH 10T

**Order-no.:** 005 34 166 99  
**Order-no. UK:** 005 34 163 99  
**Order-no. USA:** WD1000HPT (available August 2008)

**XT-tips for WP 120**



Order no	Model	Type	Width	Height	Length
005 44 701 99	XT AL	Chisel	1,6 mm	1,0 mm	39 mm
005 44 702 99	XT M	Chisel	3,2 mm	1,2 mm	39 mm
005 44 703 99	XT A	Chisel	1,6 mm	0,7 mm	36 mm
005 44 704 99	XT B	Chisel	2,4 mm	0,8 mm	36 mm
005 44 705 99	XT C	Chisel	3,2 mm	0,8 mm	36 mm
005 44 706 99	XT D	Chisel	4,6 mm	0,8 mm	34,5 mm
005 44 707 99	XT E	Chisel	5,9 mm	1,2 mm	34,5 mm

**Published by**

Author:  
 Marketing, Besigheim

Contact:  
 Stephan Hofmann  
 Global Product Manager Electronic

Phone: +49 (0) 7143 580 145  
 Fax: +49 (0) 7143 580 113  
 Stephan.Hofmann@CooperIndustries.com

Cooper Tools GmbH  
 Carl Benz Str. 2  
 D-74354 Besigheim

Copyright © 2008, Cooper Tools GmbH

## **X-ON Electronics**

Largest Supplier of Electrical and Electronic Components

*Click to view similar products for [Weller manufacturer](#):*

Other Similar products are found below :

[XPE700](#) [ST-4](#) [ST-3](#) [0054005799](#) [0058744845](#) [0054465399](#) [6120](#) [7324](#) [PL138](#) [PTH6](#) [HE35](#) [DXV80](#) [NTD](#) [T0051387699](#) [T0051607599](#)  
[T0052916199](#) [T0053418699](#) [T0053427699](#) [T0053434699](#) [T0053638699](#) [T0054486299](#) [T0058732869](#) [PSI5](#) [HEW60P](#) [LT4X](#) [CT6E7](#)  
[51314700](#) [WHP80](#) [WTA1](#) [WTA4](#) [DS227](#) [DX120](#) [RT6MS](#) [RTW3MS](#) [SP40NUS](#) [T0051302699](#) [T0051390699](#) [T0051628899](#) [T0052704299](#)  
[T0053429699](#) [T0053438699](#) [T0053439699](#) [T0053657199](#) [T0054480299](#) [T0058744730](#) [TC208](#) [CT5AA8](#) [WPT15](#) [WLSK200](#)  
[WEL.51361699](#)