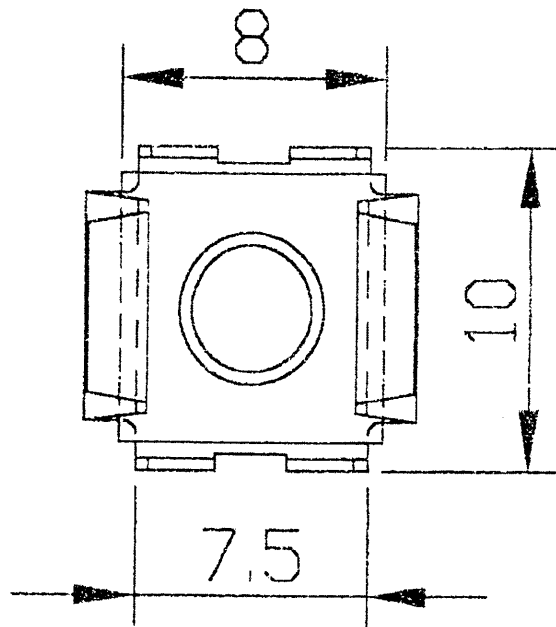
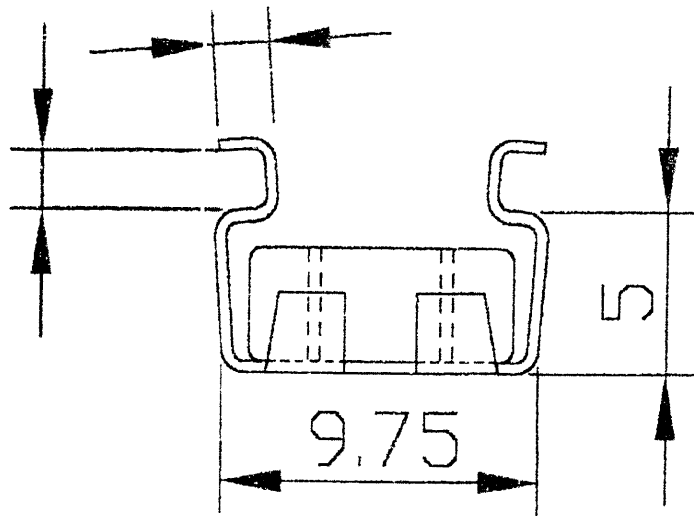


M4 NARROW CAGE NUT

1.64 Max

2.2

All rights reserved. Reproduction or Issue to third parties is not permitted without written permission from



M4 NARROW

Tolerances: General +/- 0.4mm			Material: Cage: 0.46mm CS 70 / Nut: Mild Steel		
Heat Treatment: Cage: H&T 380/420 VPN			Finish: Cage & Nut: Zinc & Yellow Pass to ZN3		
Drawn By: I R	Checked By: L W	Approved By/Date: S F 10/12/99	File Name: Cage Nut	Date: 10/12/99	Scale: NTS
Title: M4 Cage Nut				Issue: 1	
Part No: CN/4M/ND/ZP				Page: 1/1	

X-ON Electronics

Largest Supplier of Electrical and Electronic Components

Click to view similar products for [nettlefolds](#) manufacturer:

Other Similar products are found below :

[SEM03030006FA](#) [SEM03040012FA](#) [SEM03040006FA](#)